



Marine Service Catalogue 2009

Spare Parts Information



Contents

SECTION 1	MANUAL AND ELECTRIC FRESHWATER PUMPS	
Whale V Pump Mk 5 (discontinued in 1993)		4
Whale V Pump Mk 6 (GP0650 introduced in 1993)		5
Whale Flipper Pump Mk 3 and 4 (GP0418)		6
Whale Gusher Galley Mk 2 Pump (discontinued 1984)		7
Whale Gusher Galley Mk 3 Pump (GP0550 right lever, GP0551 left lever- introduced in 1984)		8
Whale Tiptoe Mk 4 Pump (GP1309)		9
Whale Babyfoot Pump (GP4618)		10
Whale Universal Electric Freshwater Pump (UF0812, UF0815, UF1212, UF1214, UF1215, UF1225, UF1815, UF1825)		11
SECTION 2	FAUCETS, SHOWERS AND ACCESSORIES	
Whale Elegance Single and Mixer (11 mm and 12 mm smooth connections)		13
Single: RT1010, RT6010		
Mixer: RT2010, RT2007, RT2035, RT7010, RT7007, RT7014		
Whale Elegance Single and Mixer Faucets Mk 2 (1/2" threaded connections)		14
Single: RT1210, Mixer: RT2210, RT2207		
Whale Elegance Combo (Faucet/ Shower)		15
(12mm version: cold only-RT1500, mixer-RT2500)		
Whale Elite Faucets and Showers		17
(MT0111, MT1111, MT0131, MT0141, MT1141, MT0151, MT1151, MT0161, MT1161)		
Whale Elegance Combo & Faucet/Shower		18
(Combined Model with Faucet and Shower Functions, Cold only: RT1470, Mixer: RT2498)		
Whale In Line Pressure Switch (WU7207)		19
SECTION 3	MANUAL BILGE PUMPS	
Whale Gusher 25 (discontinued 1989, spares not available)		21
Whale Gusher 30 Pump (on deck: BP3000, on bulkhead: BP3010, thru-deck: BP3020)		22
Whale Gusher 10 Mk3 (standard: BP3708, thru-deck/bulkhead: BP3740)		24
Whale Gusher Titan (standard: BP4402)		26
Whale Gusher Titan (underdeck: BP4410)		27
Whale Gusher Urchin (standard: BP9005, removable handle: BP9021)		29
Whale Gusher Urchin (underdeck: BP9013)		31
Whale / Henderson Compac 50 (BP0350)		33
Henderson Mk 5 (Toilet appn.: BP0527/ MH0527, underdeck: BP0535/ MH0535 models)		34
Mark 5 Universal Pump (BP0510/ MH0510)		36
Henderson Mk 5 - Double Action Pump		38
(bulkhead: MH5550, underdeck: MH5560, on deck: MH5570)		
Henderson Chimp Pump Mk 1 (Product discontinued in 1989, spares available)		40
Henderson Chimp Pump Mk 2 (MH0233 removable handle)		42
Smartbail BP5012, BP5010B, BP5021B		44
SECTION 4	ELECTRIC WASTE PUMPS	
Whale Gulper 320 Shower Waste Pump BP2052 (12V d.c.), BP2054 (24V d.c.)		46
Whale Gulper 220 Shower Waste Pump BP1552 (12V d.c.), BP1554 (24V d.c.)		47
Whale Gulper Toilet Waste Pump BP2552B (12V d.c.), BP2554B(24V d.c.)		48
SECTION 5	ACCESSORIES	
TCL 2 Locker Door (LD2000)		50
TCL 3 Locker Door (LD3000)		51
TCL 4 Locker Door (LD4000, clear lid version: LD4002)		52

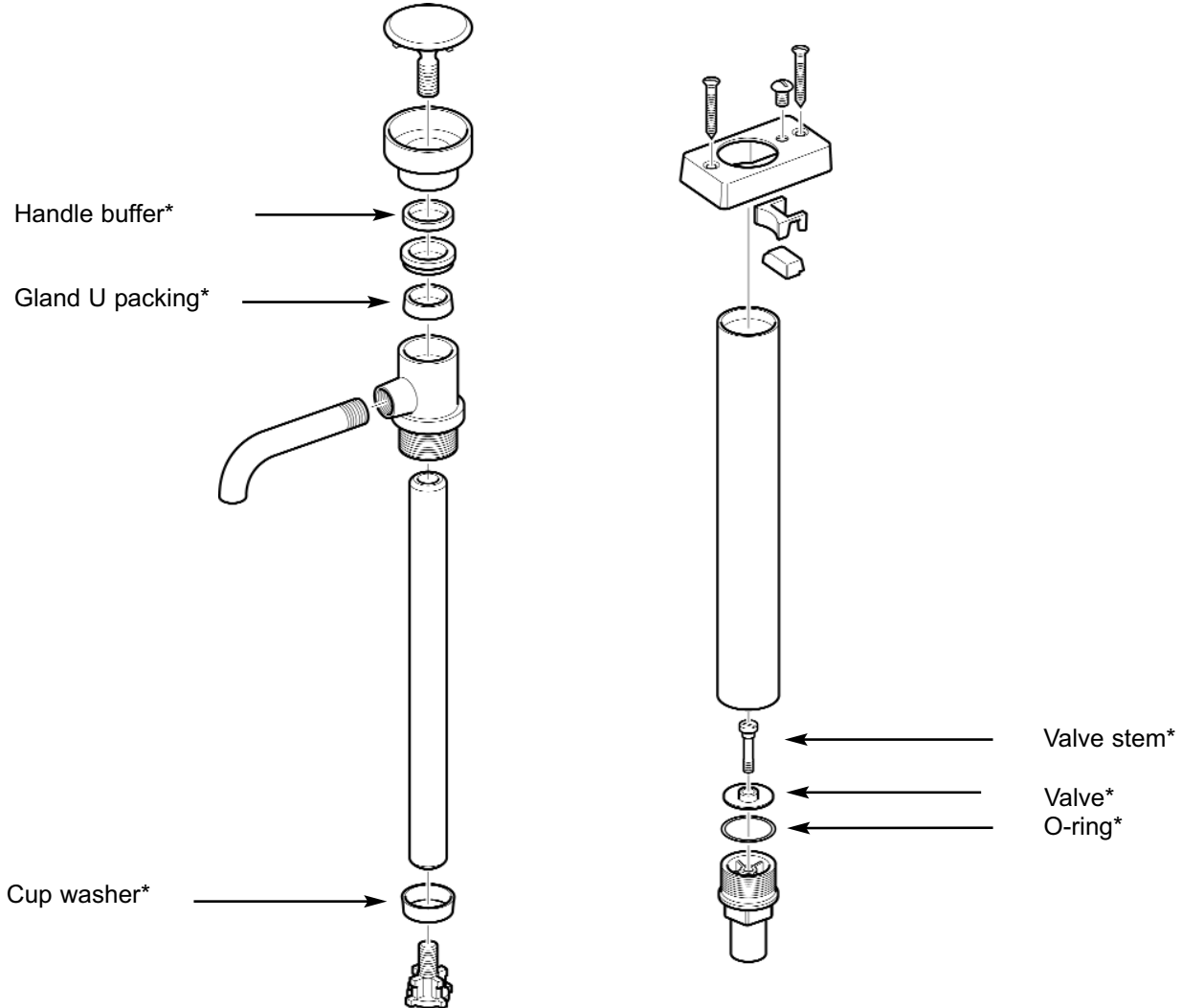
Section One

MANUAL
AND
ELECTRIC
FRESHWATER PUMPS

V-Pump Mk 5

V Pump Mk 5 - Vertical Self-Priming Hand Pump discontinued in 1993

NOTE* Contained in Service Kit AK0618



Pump replaced in 1993 by V Pump Mk 6 (see page 4)

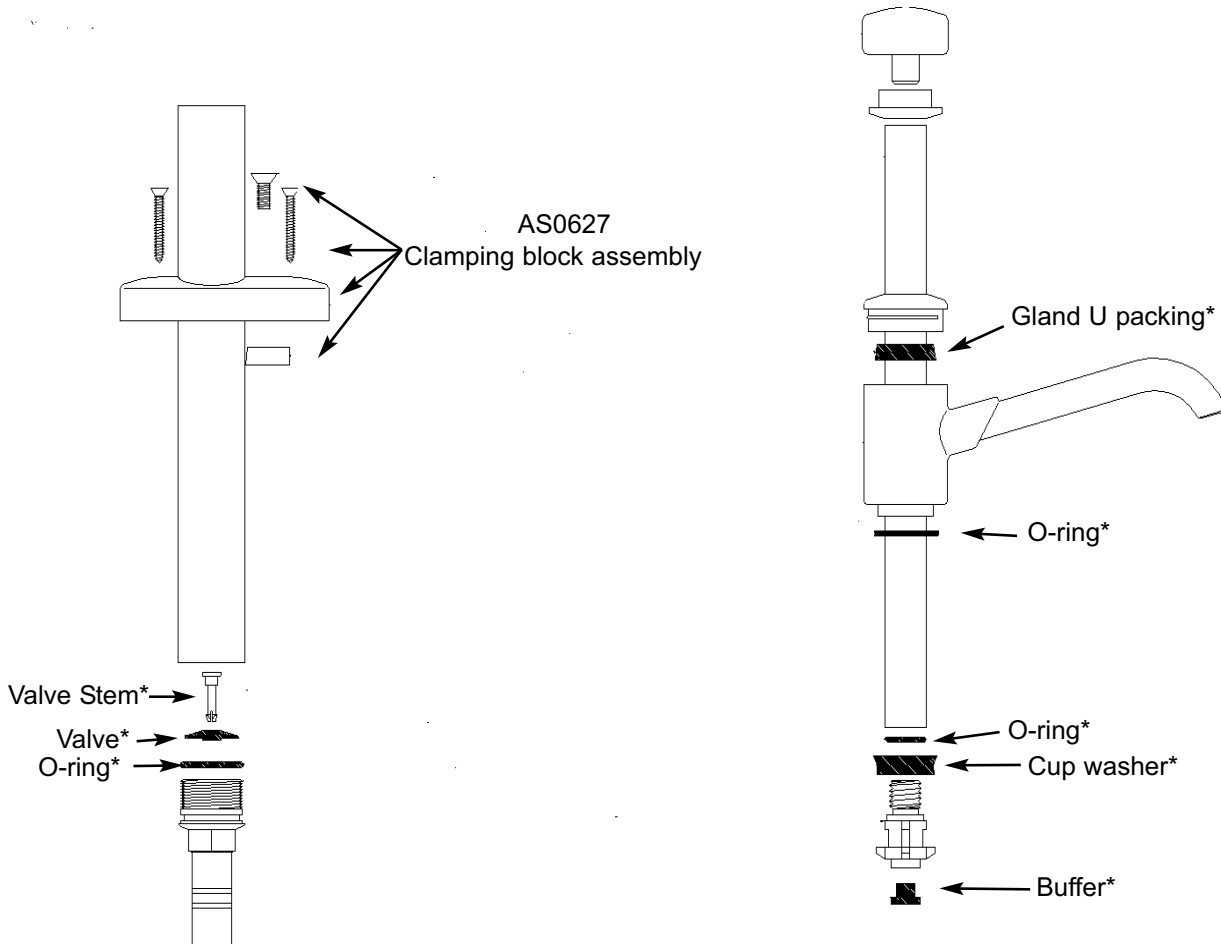
AK0618 Service Kit with Complete Set of Serviceable Parts for V-Pump Mk 5 & Mk 6

Qty	Containing
1	Handle buffer
1	Cup packing
1	Buffer (Mk 6 only)
1	Valve
1	Valve stem
1	O-ring
1	Gland U packing
1	O-ring
1	O-ring (Mk 6 only)

V-Pump Mk 6

GP0650 V Pump Mk 6 - Vertical Self-Priming Hand Pump

NOTE* Contained in Service Kit AK0618



AK0618 Serviceable Parts Kit for V-Pump Mk 5 & Mk 6

Qty	Containing
1	Handle buffer (Mk 5)
1	Cup packing
1	Buffer
1	Valve
1	Valve stem
1	O-ring (plunger cup seat)
1	Grand U packing
1	O-ring (base)
1	O-ring (head)

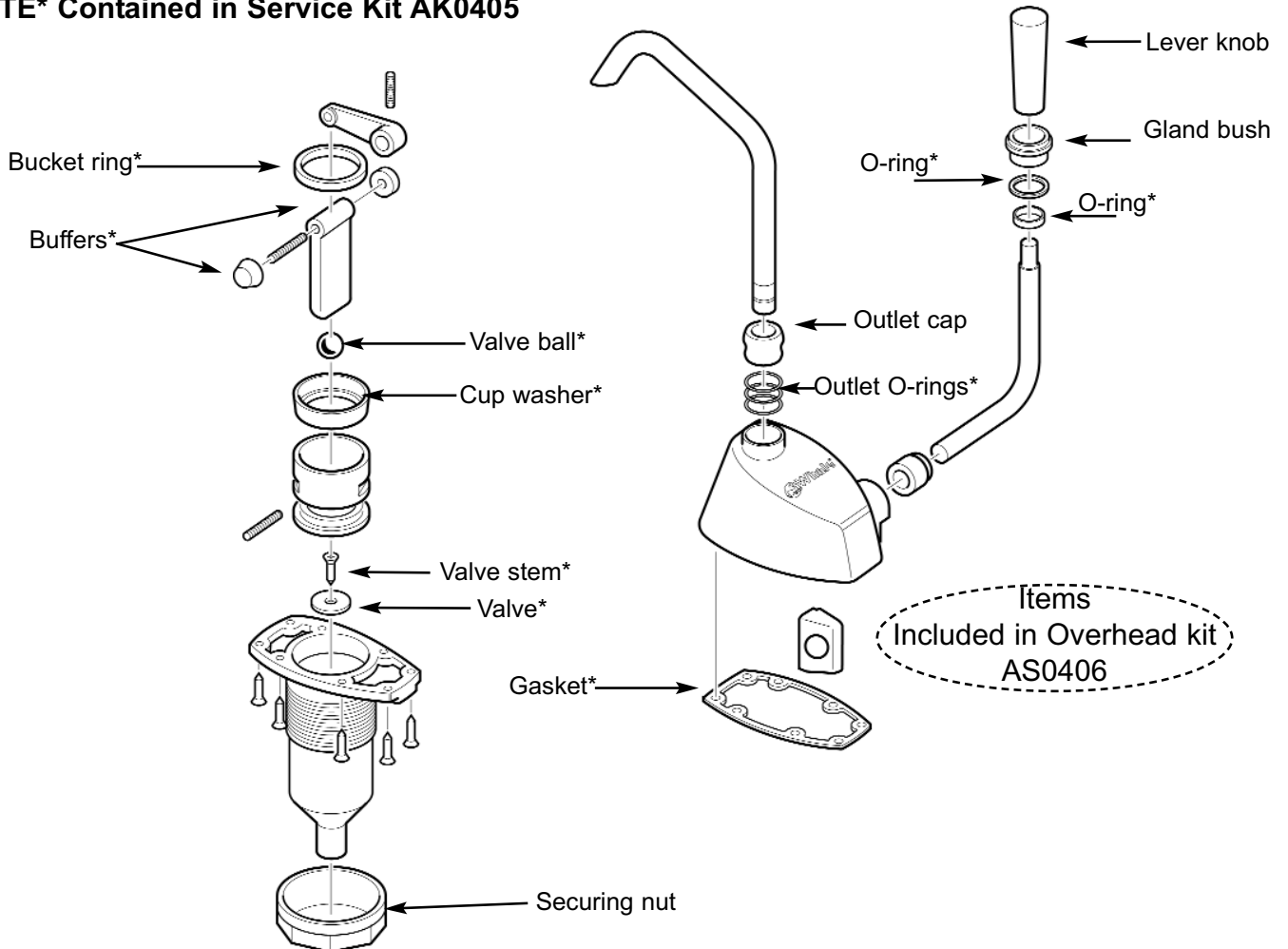
AS0627 Clamping Block Assembly

Qty	Containing
1	Clamp block
1	Wedge block
2	Screw No6 x1
1	Screw M5 x12

Flipper Mk 3 & Mk 4

GP0418 Flipper Pump - Self-Priming Lever Operated Hand Pump

NOTE* Contained in Service Kit AK0405



Flipper Mk 3 discontinued in 1999, replaced by Mk 4

AK0405 With Complete Set of Serviceable Parts for Flipper Mk 3 & Mk 4

Qty	Containing
3	O-ring (3 per outlet)
1	Gasket
1	Bucket ring
1	Cup washer
1	Valve ball
2	Buffer
1	O-ring
1	O-ring (gland bush)
1	Valve stem
1	Valve

AS0406 Flipper Overhaul Kit

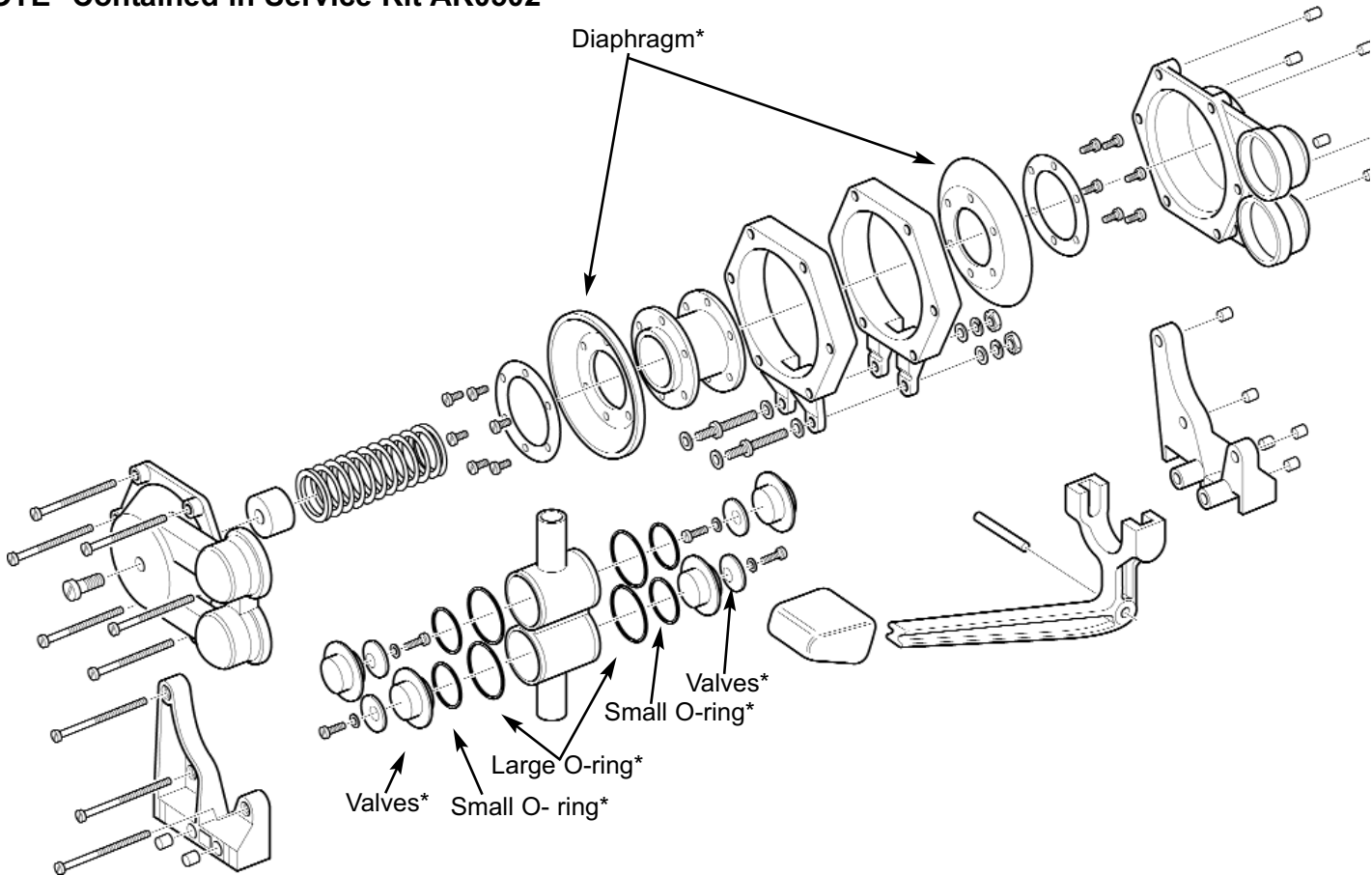
Qty	Containing
1	Outlet cap
1	Gland bush
1	Securing nut
1	Lever knob
1	O-ring (gland bush)

Cork bush for Mk 3 version (no longer available has been replaced by 3 O-rings)

Whale Gusher Galley Mk 2 Pump

Whale Gusher Galley Mk 2 Discontinued 1984

NOTE* Contained in Service Kit AK0502



AK0502 Service Kit with Complete Set of Serviceable Parts for Whale Gusher Galley Mk 2

Qty	Containing
4	Small O-ring
4	Valve
4	Large O-ring
2	Diaphragm

Note: This product is now out of production and has been replaced by Whale Gusher Galley Mk 3 Pump (see page 8). No other service parts are available for this pump.

Part No. for the new Whale Gusher Galley Mk 3 are:

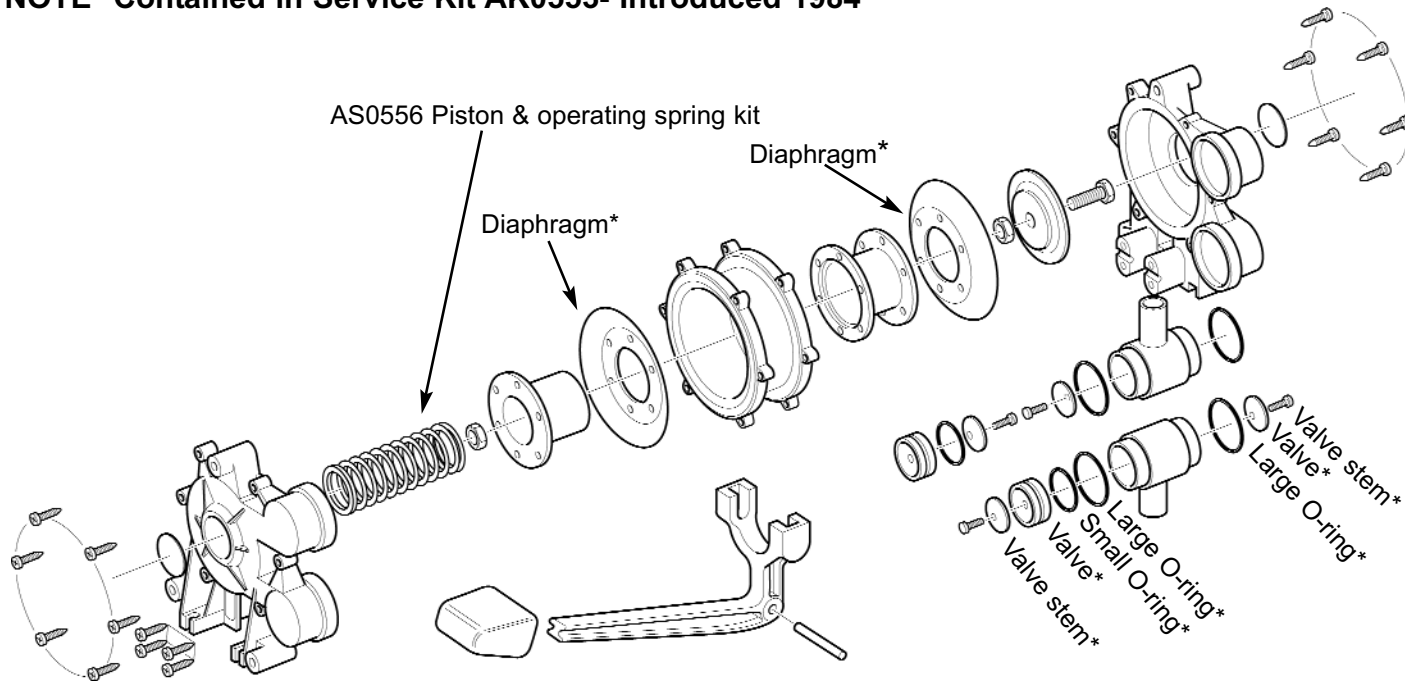
- GP0550 - Whale Gusher Galley Mk 3 (Right Hand Version)
- GP0551 - Whale Gusher Galley Mk 3 (Left Hand Version)

For further details of our current product range, please visit our web site www.whalepumps.com

Whale Gusher Galley Mk 3 Pump

GP0550 & GP0551 Whale Gusher Galley Mk 3 Pump - Foot Operated Freshwater Pump

NOTE* Contained in Service Kit AK0553- Introduced 1984



AK0553 Service Kit with Complete Set of Serviceable Parts for Whale Gusher Galley Mk 3

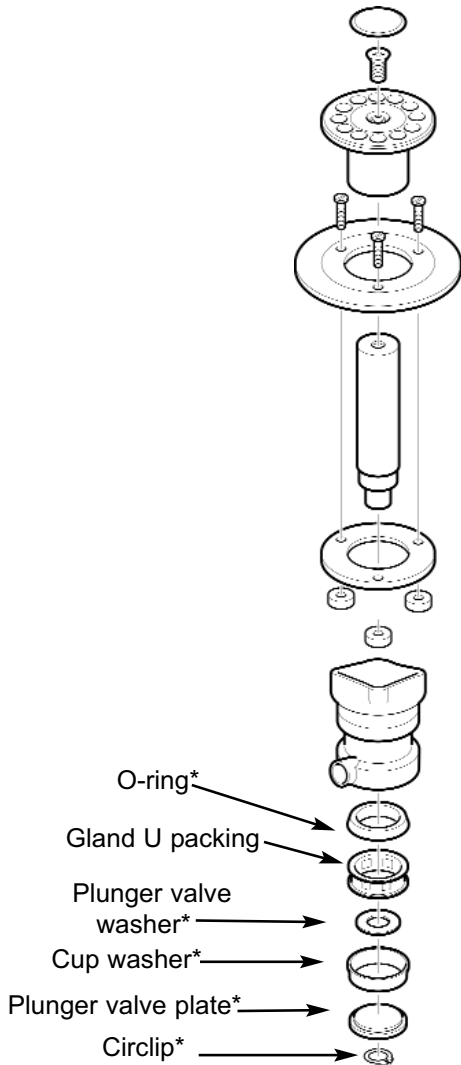
Qty	Containing
2	Small O-ring
4	Valve
4	Valve stem
4	Large O-ring
4	Self tapping screw
1	Sealing washer
2	Diaphragm

AS0556 Piston & Operating Spring Kit

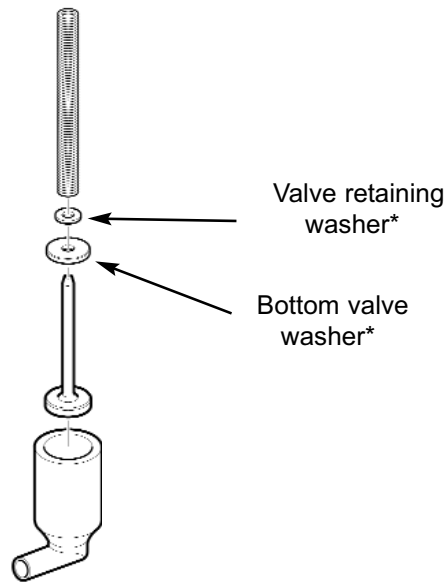
Qty	Containing
1	Nut M6
1	Operating spring
1	Clamping cup
1	Piston
1	Clamping plate
1	Sealing washer
1	Screw M6

Tiptoe Pump Mk 4

GP1309 Tiptoe Pump Mk 4 - Self-Priming Foot Freshwater Pump



NOTE* Contained in Service Kit AK1304



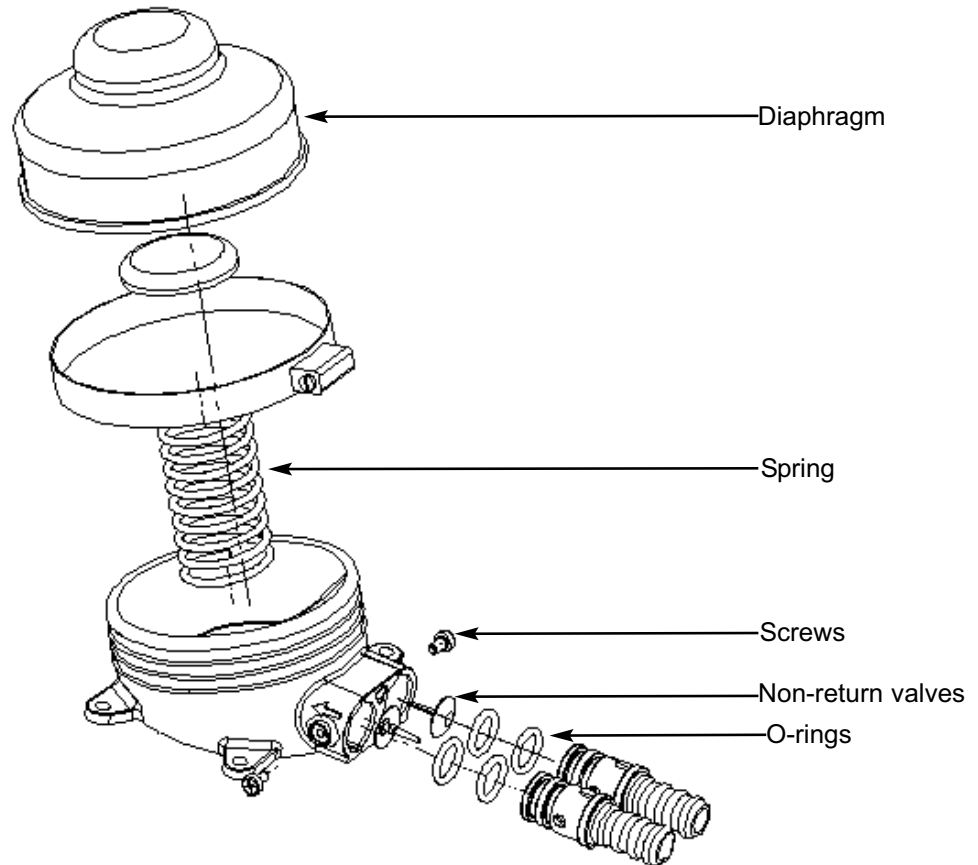
AK1304 Service Kit with Complete Set of Serviceable Parts for Tiptoe Mk 3 or Mk 4

Qty	Containing
1	Cup washer
1	Gland U packing
1	Bottom valve washer
1	Plunger valve washer
1	Plunger valve plate
1	Circlip
1	Valve retaining washer
1	O-ring

Babyfoot

GP4618 Babyfoot Pump - Self-Priming Compact Foot Pump

NOTE: For product manufactured after July 2003



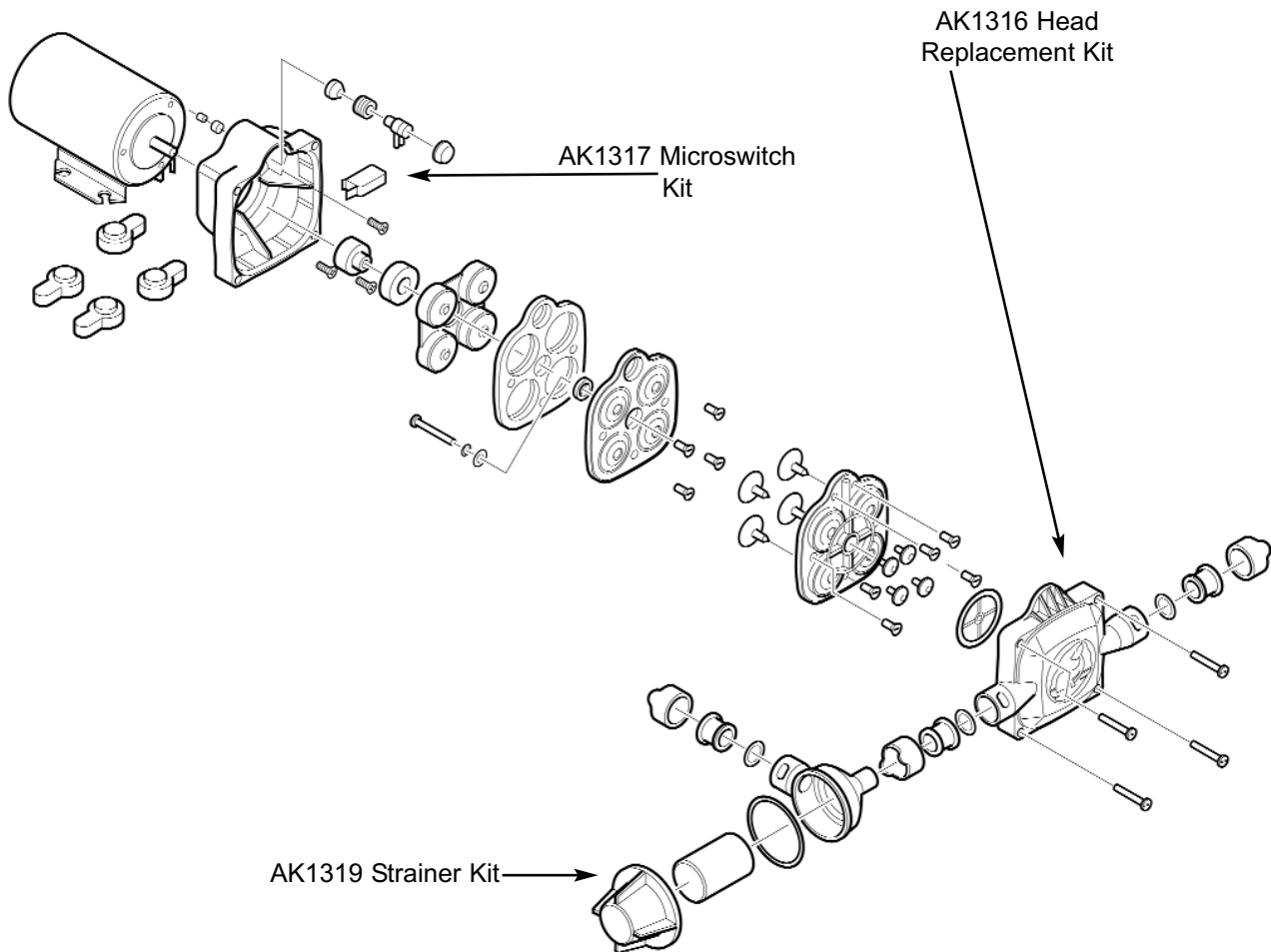
AK4615 Serviceable Parts Kit

Qty	Containing
1	Diaphragm neoprene
1	Spring
2	Screw
4	O-ring
2	Non return valve

Universal

UF0812, UF0815, UF1212, UF1214, UF1215, UF1225, UF1815, UF1825

Universal - Automatic Freshwater Pressure Pump Range



Note: UF models replaced UP codes. UF models come with Quick Connect 15mm heads. This head can be retrofitted to UP models using service kit AK1316

AK1316 Service Kit for Universal Pump Head

Qty **Containing**
1 Replacement head

AK1317 Service Kit for Universal Microswitch

Qty **Containing**
1 Microswitch

AS1319 Service Kit for Universal Strainer

Qty **Containing**
1 Strainer