

# Swim 'n' Rinse Compact Deck / Transom Shower

## NEW Whale Swim 'n' Rinse Compact Shower with Rubber cover (cold only)

Ideal for installation where space is limited on deck and behind the bulkhead -Simply swim and rinse without wasting water.

### Features and Benefits

- Press trigger to only use the water you need
- Crisp and clean - chrome and white finish
- Extra long hose allows you to fit in most convenient location on deck
- Highest quality finish - stabilized PVC cover
- Simple installation - standard size circular holes to drill
- Standard connections - suitable for 3/8" BSP threaded connections/ Whale Quick Connect 15mm plumbing



1 Year Warranty

### COMPLETE YOUR SYSTEM

Freshwater system accessories such as water filters, and pipework connections - page 76-77

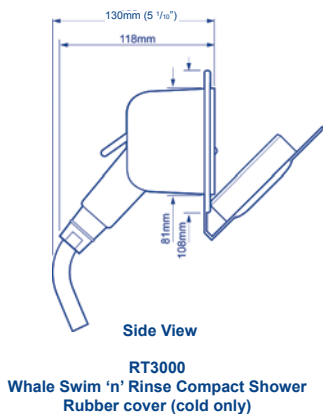
### YOU MAY ALSO LIKE

- Whale Twist® - Deck Shower with integrated temperature and flow controls - page 72
- Swim 'n' Rinse- deck shower - The classic transom Shower - page 75
- Watermaster Automatic Pressure Pumps - page 54
- Whale faucets and showers - page 68-71

Lightweight handset will not damage the gel coat if dropped on deck

### i Product Information

#### Model Specifications



Swim 'n' Rinse Compact Shower Rubber cover (cold only)	
<b>Product Code</b>	<b>RT3000</b>
Description	White and Chrome with angled holder and one touch trigger handset
Diameter of mounting hole	80mm (3 1/8")
Hose length	2.6m (8.5ft)
Hose Connections	3/8" adaptor x 1/2" female adaptor
Depth Behind the Surface	130 mm (5 1/16")
Weight	0.535kg (1.18 lbs)
Materials	Internal components - Hostaform, stainless steel 304, housing UV stabilised Polypropylene, PVC Cover - UV stabilised PVC, fixings - stainless steel
To connect to Whale Quick Connect 15mm Plumbing	WX1583B

Note: These specifications are retail items only.  
For details of our bulk pack range for boat builders and wholesalers - contact Whale Support.  
Maximum cold water pressure 2 bar (30 psi)