



## INSTALLATION AND OPERATION MANUAL

### Whale® Gulper® IC Waste Pump Range



Model Number	Description
BP2082B	Gulper® IC Waste Pump - 12 V d.c. Bulk
BP2084B	Gulper® IC Waste Pump - 24 V d.c. Bulk
SG8284	Gulley IC - Grey Waste Kit with Single Shower Gulley - 12 V d.c.
SG8484	Gulley IC - Grey Waste Kit with Single Shower Gulley - 24 V d.c.
WM8284	Grey IC - Grey Waste Kit with Two Way Manifold IC - 12 V d.c.
WM8484	Grey IC - Grey Waste Kit with Two Way Manifold IC - 24 V d.c.

# INSTALLATION AND OPERATION MANUAL

## Whale® Gulper® IC Waste Pump Range

ENG

Model Number	Description
BP2082B	Gulper® IC Waste Pump - 12 V d.c. Bulk
BP2084B	Gulper® IC Waste Pump - 24 V d.c. Bulk
SG8284	Gulley IC - Grey Waste Kit with Single Shower Gulley - 12 V d.c.
SG8484	Gulley IC - Grey Waste Kit with Single Shower Gulley - 24 V d.c.
WM8284	Grey IC - Grey Waste Kit with Two Way Manifold IC - 12 V d.c.
WM8484	Grey IC - Grey Waste Kit with Two Way Manifold IC - 24 V d.c.

### INSTALLATION & USER INSTRUCTIONS

Thank you for purchasing this Whale® product.

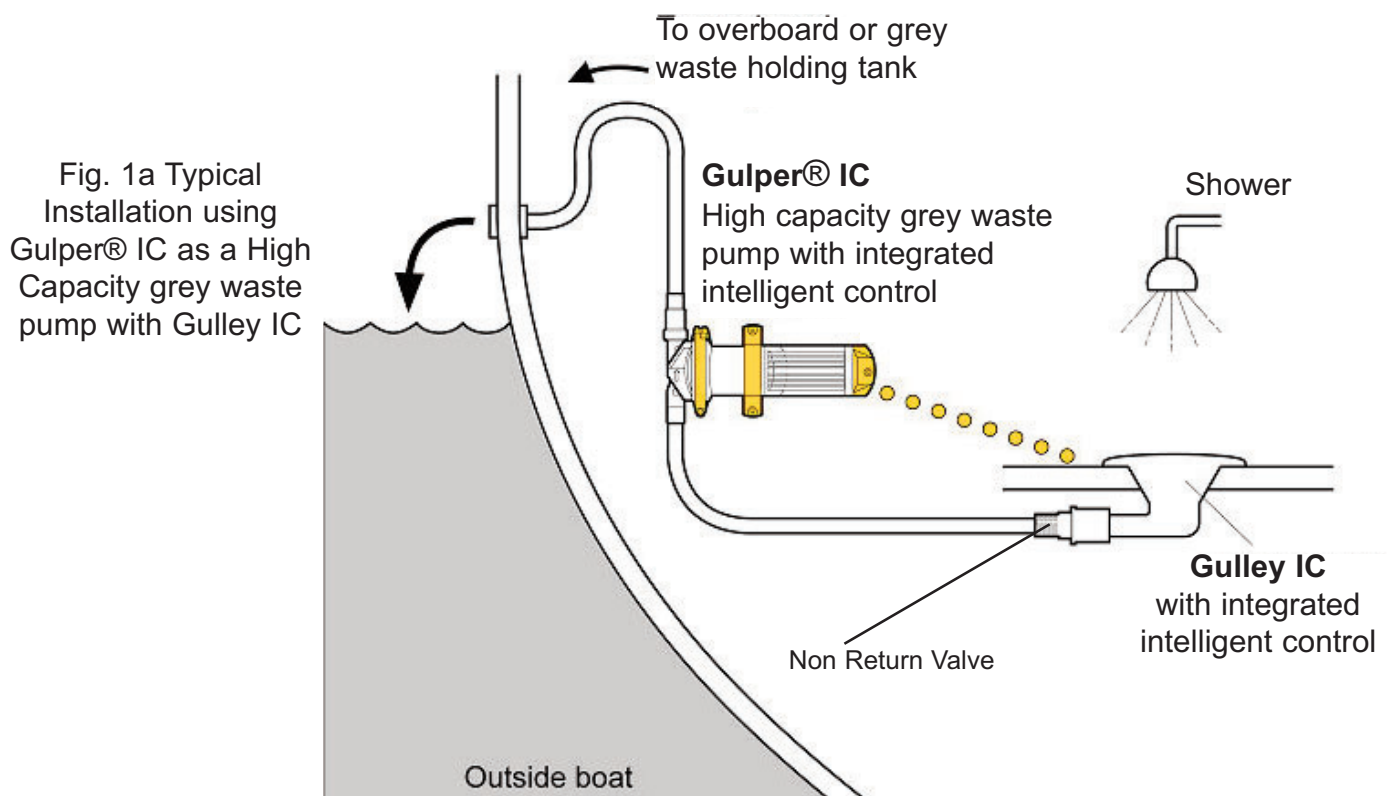
For over 70 years, Whale® has led the way in the design and manufacture of freshwater and waste systems including: pumps, plumbing, faucets and showers for low voltage applications. The company and its products have built a reputation for quality, reliability and innovation backed up by excellent customer service. For information on our full range of products visit [www.whalepumps.com](http://www.whalepumps.com)

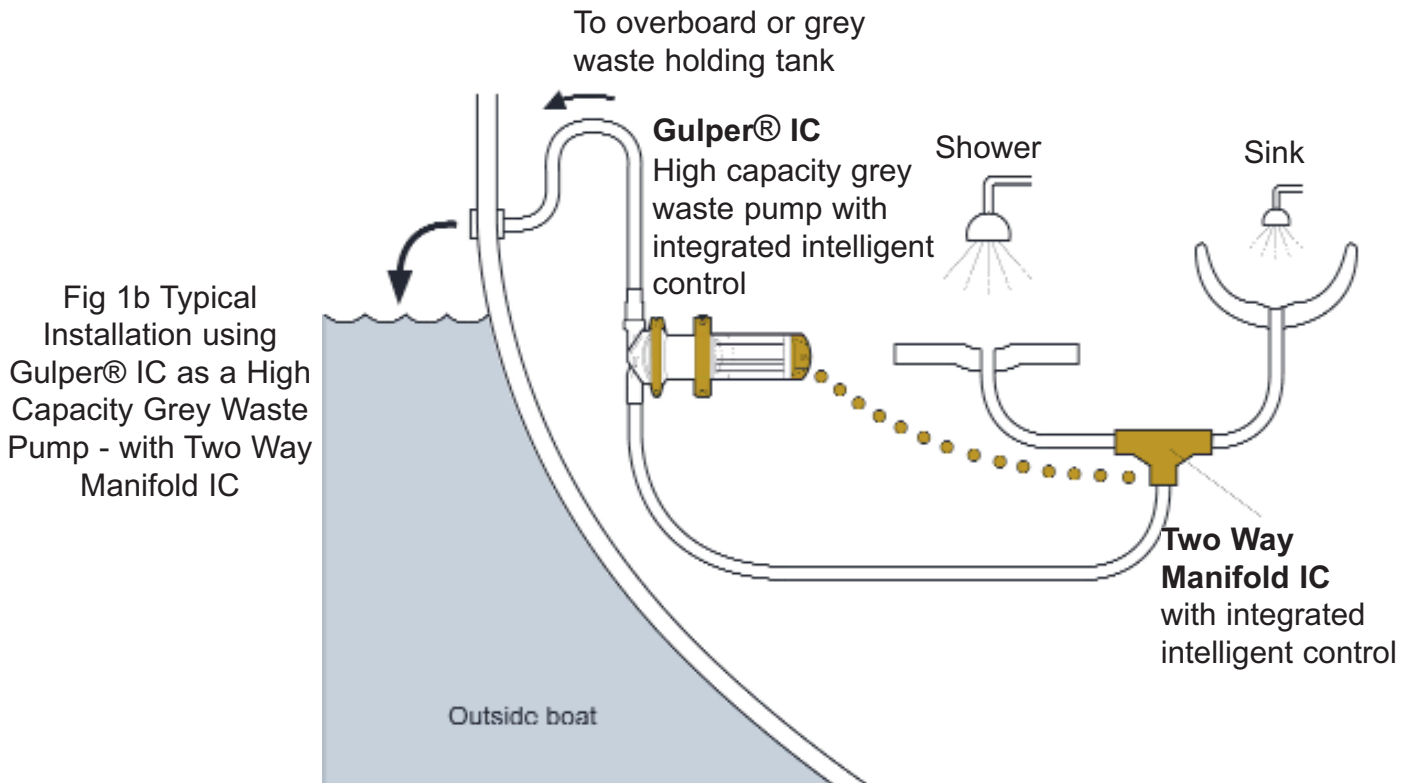
#### 1. TYPICAL INSTALLATION

This Gulper® IC is a high capacity waste pump with intelligent control electronics inside designed to be installed in recreational marine vessels in as a High Capacity Grey Waste Drainage Pump

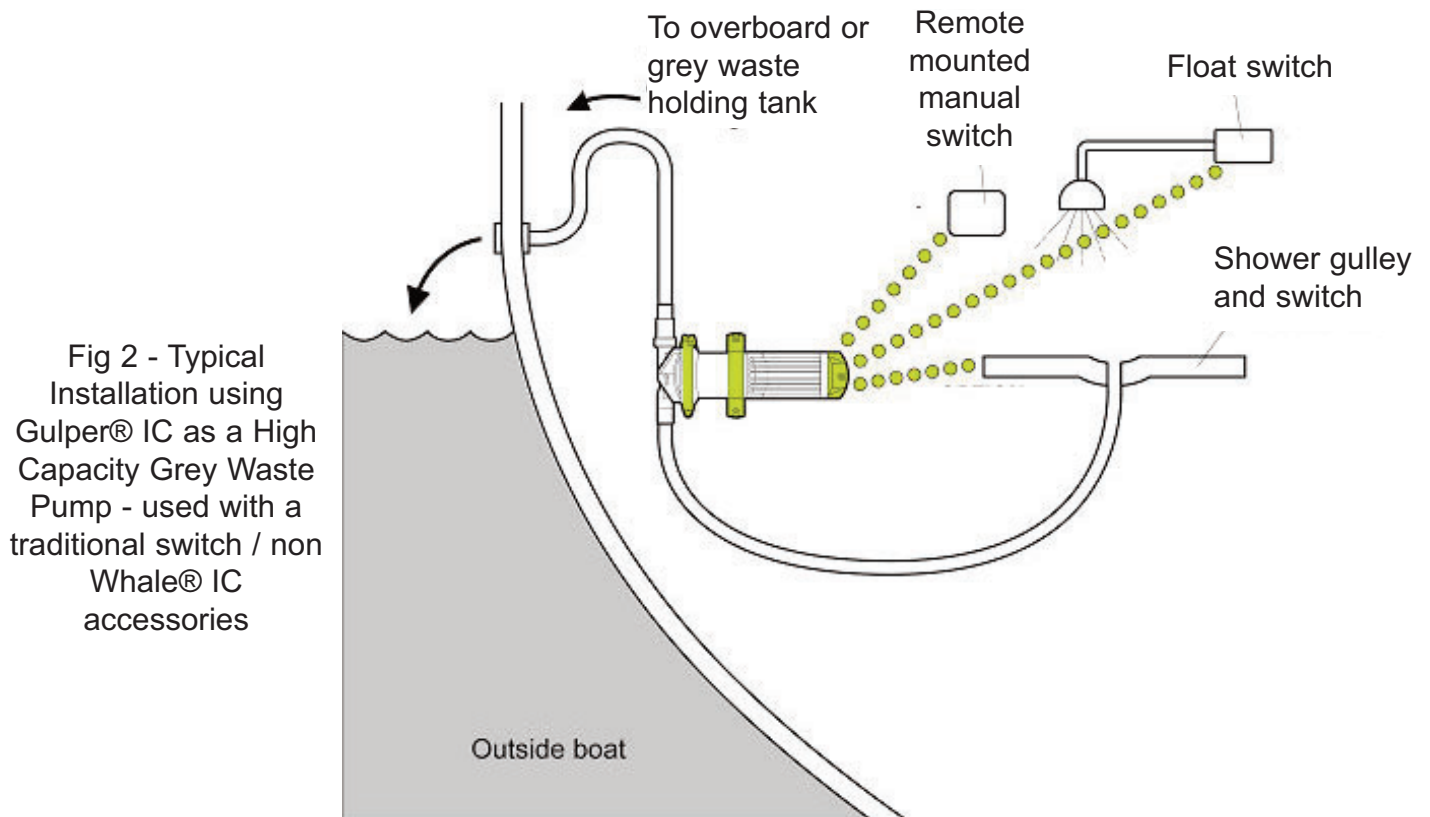
There are two options for installation:-

Option 1- Gulper® IC - Grey Waste Pump with Whale® IC grey waste accessories (available separately). See Fig 1a for Gulley IC accessory and Fig 1b for Two Way Manifold IC accessory.





Option 2 - Gulper® IC Grey Waste Pump with non Whale® grey waste accessories



## 2. SPECIFICATION

**Note** - Output capacity depends on installation and operating conditions. Whale's policy is one of continuous improvement and we reserve the right to change specifications without prior notice.

Model	Gulper® IC / Gulper IC Kits					
Product Code	BP2082B	SG8284	WM8284	BP2084B	SG8484	WM8484
Voltage	12 V d.c.			24 V d.c.		
Voltage Range	10 V d.c. to 13.6 V d.c.			21.6 V d.c. to 27.2 V d.c.		
Hose Connections	Barbed connections - to connect to either 19mm (¾") or 25mm (1")					
Recommended Fuse Size	10 Amp Automotive			5 Amp Automotive		
Minimum Wire Size	1.5mm <sup>2</sup> (16 AWG)					
Weight	1.6 kg (3.5 lbs)	2.6 kg (5.7 lbs)	2.6 kg (5.7 lbs)	1.6 kg (3.5 lbs)	2.6 kg (5.7 lbs)	2.6 kg (5.7 lbs)
Materials	<b>Pump Head</b> - Glass filled Nylon, <b>Valves and Diaphragm</b> - Santoprene®, <b>Pump Body</b> - Aluminium, <b>Gear Wheel</b> - Delrin <b>Fasteners</b> - Stainless Steel					
Service Kits	AK2050 - Replacement Gulper® Pump Head					
Accessories (Available separately for BP2082B and BP2084B only)	SG3482B - Small Gulley IC - 2 m (6ft) cable SG3484B - Small Gulley IC - 4 m (12 ft) cable SG1982B - Large Gulley IC - 2 m (6ft) cable SG1984B - Large Gulley IC - 4 m (12 ft) cable WM1982B - Two Way Manifold - 2m (6ft) cable, ¾" (19mm) ports WM1984B - Two Way Manifold - 4m (12ft) cable, ¾" (19mm) ports WM2582B - Two Way Manifold - 2m (6ft) cable, 1" (25mm) ports WM2584B - Two Way Manifold - 4m (12ft) cable, 1" (25mm) ports WM3882B - Two Way Manifold - 2m (6ft) cable, 1 ½" (38mm) ports WM3884B - Two Way Manifold - 4m (12ft) cable, 1 ½" (38mm) ports					
Connectors	Deutsch connectors : Quick Connect series 7 ways AK2081 - Traditional Deutsch® to two spade connector AK2086B - Deutsch® Connector Extension Cable 6m (18ft)					
Maximum Suction Lift (vertical)	3m (10 ft)					
Maximum Discharge Head (vertical)	3m (10 ft)					
Maximum Discharge Head and Suction Lift Combined vertical vent)	4m (13.5 ft)					
Operational Time Delays	On / off delay					
Current Profile	Soft start / soft stop					

### PERFORMANCE DATA

Suction Lift	0m / 0ft	0m / 0ft	1m / 3ft	1m / 3ft
Discharge Head	1m / 3ft	1m / 3ft	1m / 3ft	1m / 3ft
Hose Size	19mm / ¾"	25mm/ 1"	19mm / ¾"	25mm/ 1"
Flow Rate per min	19 ltrs (5 US gals)	17.5 ltrs (4.6 US gals)	17.5 ltrs (4.6 US gals)	15.5 ltrs (4.1 US gals)
Flow Rate per hour	1140 ltrs (300 US gals)	1050 ltrs (276 US gals)	1038 ltrs (270 US gals)	930 Ltrs (246 US gals)
Current Draw (12 V d.c.)	7.5 amps	8 amps	7.5 amps	8 amps
Current Draw (24 V d.c.)	3.25 amps	4 amps	3.25 amps	4 amps

### 3. LIST OF CONTENTS AND LIST OF DIAGRAMS

- |     |                               |     |                                            |
|-----|-------------------------------|-----|--------------------------------------------|
| 1.  | TYPICAL INSTALLATION          | 11. | INSTALLATION                               |
| 2.  | SPECIFICATION                 | 12. | PLUMBING                                   |
| 3.  | CONTENTS AND LIST OF DIAGRAMS | 13. | INSTRUCTIONS FOR USE                       |
| 4.  | PRINCIPLES OF OPERATION       | 14. | MAINTENANCE                                |
| 5.  | TO THE USER                   | 15. | HELPFUL HINTS                              |
| 6.  | TO THE FITTER                 | 16. | TROUBLE SHOOTING                           |
| 7.  | APPLICATION                   | 17. | WINTERISING                                |
| 8.  | WARNINGS                      | 18. | PATENTS/ TRADEMARKS                        |
| 9.  | PARTS LIST                    | 19. | WARRANTY STATEMENT                         |
| 10. | OPTIONAL EXTRAS               | 20. | EU DECLARATION OF CONFORMITY,<br>APPROVALS |

#### List of Diagrams:

- Fig 1a Typical Installation as a High Capacity Grey Waste Pump for use with Gulley IC
- Fig 1b Typical Installation as a High Capacity Grey Waste Pump for use with Two Way Manifold IC
- Fig 2 Typical Installation as a High Capacity Grey Waste Pump used with non-whale accessories
- Fig 3 Pump Orientation
- Fig 4 Gulper® IC installation
- Fig 5 Install P Clamp
- Fig 6a Wiring Gulper® IC to Whale IC Accessories
- Fig 6b Wiring Gulper® IC to Traditional Switch - non Whale IC Accessories
- Fig 7 Connecting Switching Cable Through Bulkhead
- Fig 8a STEP 1- Connect Deutsch Connectors
- Fig 8b STEP 2 - Connect adaptor with 2 spades
- Fig 9 Secure Pipework

### 4. PRINCIPLES OF OPERATION

#### IC - Intelligent control technology

At the heart of every Whale® IC product lies innovative electronic control circuitry built in. This enables IC sensor accessories to communicate directly with IC pumps to control their performance. These accessories send signals to built-in intelligent software which then control the pumps to react as required.

#### Gulper® IC

The Gulper® IC fully automatic self-priming pump is designed to pump waste water from a shower tray/galley sink, (either overboard or to a holding tank) or as a remote mounting bilge pump. Output capacity depends on installation and operating conditions.

#### GREY WASTE APPLICATION - WITH WHALE® IC ACCESSORIES

When Gulper® IC is installed as a grey waste pump with Whale® IC Grey waste accessories, electrical signals are sent from the Gulley IC or Two Way Manifold IC only when grey waste water needs to be pumped out. (See Figs 1a and 1b)

#### GREY WASTE APPLICATION - WITH NON WHALE® IC ACCESSORIES

Gulper® IC may also be installed as a grey waste pump in conjunction with non whale accessories. This allows the installer to fit low current controlled switching which prevents burn outs from high current. (See Fig 2)

### 5. TO THE USER

Read the following instructions carefully.

## 6. TO THE FITTER

Check that the product is suitable for the intended application, follow these installation instructions and ensure all relevant personnel read the points listed below. Also ensure that these operating instructions are passed on to the end user.

## 7. APPLICATION

Gulper® IC is designed for installation in recreational marine vessels only and operated on 12 or 24 V d.c. electrical supply only. If it is intended for use for any other purpose or with any other liquid, it is the user's responsibility to ensure that the pump is suitable for the intended use and that the materials are fully compatible with the liquids to be used. The Whale® Gulper® IC pump is **NOT** recommended for domestic application.

## 8. WARNINGS

- This pump must not be mounted below the water line when connected to an intake or outlet unless the system has a vented loop (see Fig 1 - 2).
- Not suitable for pumping flammable liquids, diesel, chemicals etc.
- This pump is **not** intended for damage control.
- With all applications it is important that a system of safe working practice is applied to installation, use and maintenance. Ensure the electric supply is turned off and waste water system is drained before installation. In order to securely fasten the unit, ensure that the mounting surface is a minimum thickness of 19mm (3/4") (when fitted with the screws supplied).
- **NOTE** Do not screw directly to the hull - must be mounted on a bulkhead or on an additional board.
- **NOTE - DO NOT** unscrew the rear section, as interference with the internal electrics will render the pump unfit for use and invalidate the warranty. This is a non-serviceable part of the pump.
- **WARNING:** Fire hazard. Wiring must comply with applicable electrical standards and include a properly sized fuse or circuit breaker. Improper wiring can cause a fire resulting in injury or death. Switch off the power while making connections.



Suggested wiring information is given as a guide only. For full information, refer to the USCG, ABYC and ISO regulations for marine applications and wiring gauges, connectors and fuse protection.

Contact Whale® Support team for further technical advice +44 (0)2891 270531 or email: [info@whalepumps.com](mailto:info@whalepumps.com)

## 9. PARTS LIST

Qty 1	Gulper IC pump	Qty 1	Inline fuse assembly
Qty 3	No.8 self tappers and washers		
Qty 1	Gulley IC or Two Way Manifold IC (not included with BP2082 or BP2084)		

## 10. OPTIONAL EXTRAS

AK2081 - Traditional Deutsch to two spade connector  
AK2086B - Deutsch® Connector Extension Cable 6m (18 ft)  
AK2050 - Service kit - Replacement head for all Gulper® pumps  
IC accessories - see specification table, Section 2

## 11. INSTALLATION

**Note:** Incorrect installation will invalidate warranty  
Preparation - Always disconnect power sources before installing.

### 11.i Location

- Choose a position to mount the pump that is dry and away from standing water and is free from obstacles.
- Mount in a position with the shortest pipe run lengths possible.

### 11.ii Mounting Instructions

- Gulper® IC can be mounted on a horizontal or vertical surface.
- When mounted vertically ensure that the pump head is lower most (Fig 3).

**NOTE** - It is recommended that the outlet is mounted above the water line and anti-syphon loops are fitted where applicable (see typical installation Figs 1 - 2).

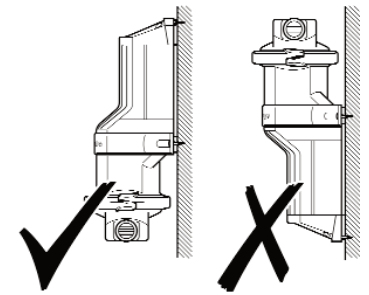


Fig. 3 - Pump Orientation

- When mounting, position the pump on surface and work-out the best angles for the hose (to prevent kinking) and mark the 3 hole positions using the pump feet.

**NOTE:** The pump head may be rotated to suit the hose connections. Loosen the screw, adjust and reposition the head to the required position (Fig 4) and tighten the screw

- Drill pilot holes of 3.2mm (1/8").

**NOTE:** Do **not** drill through hull, ensure that pump is mounted to additional board or bulkhead.

- Use the three No.8 self tappers and washers (included) to secure the pump.
- Use 19mm (3/4") or 25mm (1") smooth bore reinforced hose to connect to the pump with hose clips.

**NOTE:** Barbed connections mean there is no need to cut inlets or outlets to size.

**NOTE:** Ensure tight connections, but do not over-tighten clamp rings/ screws/hose clips

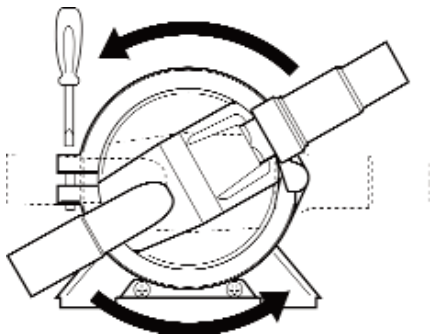


Fig 4 - Gulper® IC Installation

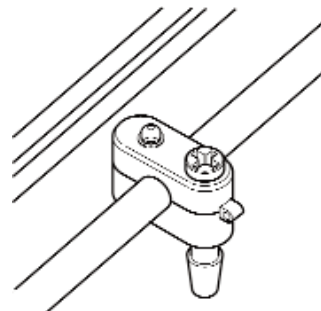


Fig 5 - Fit P clamp

- Screw p clamp to bulkhead ensuring it is located approx. 100 mm (4") from rear housing (Fig 5).

**NOTE:** In order to securely fasten the unit, ensure that the P clamp mounting surface is at least 19mm (3/4") minimum thickness.

### 11.iii Electrical Wiring

- For installation with Whale® IC accessories use pre-wired Deutsch® connectors attached
- For installation to non-whale systems - use spade connector adaptor AK2081- available separately
- If you are not familiar with applicable electrical standards, ensure that the unit is installed by a qualified electrician/ technician.

**WARNING:** Fire hazard. Wiring must comply with applicable electrical standards and include a properly sized fuse or circuit breaker. Improper wiring can cause a fire resulting in injury or death.

**NOTE:** Switch off the power prior to making connections. Suggested wiring information is given as a guide only. For full information, refer to the USCG, ABYC and ISO regulations for marine applications and wiring gauges, connectors and fuse protection.

## CONNECT POWER CABLES

The polarity is indicated by coloured cable (Positive - red, Negative - black).

The white wire can be connected to a running light to indicate when the system is in use and / or as a manual override switch.

**NOTE** The pump is protected against reverse polarity connection (The inline fuse will blow)

**NOTE:** Undersized wire in the circuit before the pump will reduce voltage when the pump is under load, thus giving poor performance and potential motor failure.

- Ensure all power cables installed are at least the minimum wire size is 1.5mm<sup>2</sup> (16 AWG).
- To control the pump, a system switch should be fitted between the positive live terminal on the battery and the positive lead on the pump.

**WARNING** Ensure that there are no loops of electrical cable that could cause trip hazard.

### 11.iv FITTING THE FUSE

Fuse rating for BP2082B (12V d.c.) pumps 10 Amp automotive

Fuse rating for BP2084B (24V d.c.) pumps 5 Amp automotive

The in-line fuse assembly supplied must be fitted to the positive side of the pump (see fig 6 a or b).

**PURPOSE OF FUSE:** The purpose of this fuse is to protect the pump from serious damage in the event of system blockages, therefore please ensure all valves are fully open before operating the pump.

If the fuse blows:

- a) Check that all system valves/stopcocks are open
- b) Check that the inlet and outlet ports are not blocked
- c) Check that the rest of the system is not blocked in any way
- d) Check for reverse polarity connection

### 11.v Wiring Diagrams:

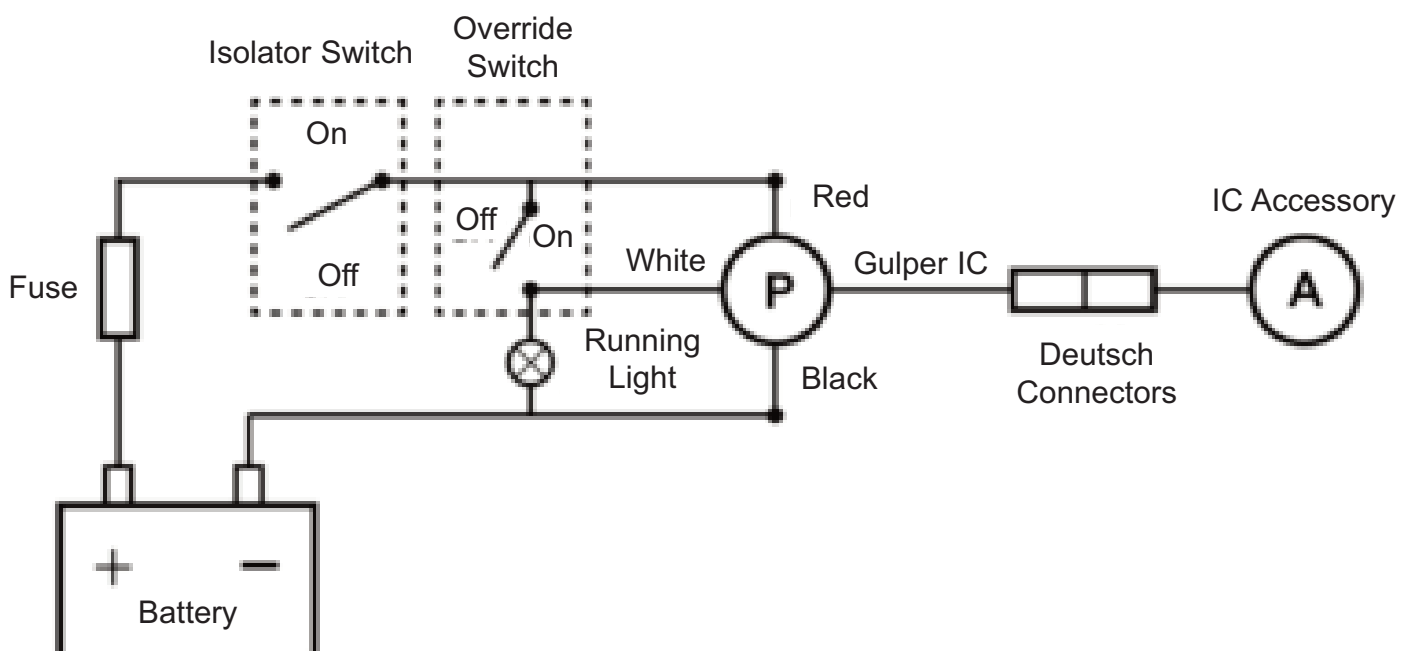


Fig 6a Wiring Gulper® IC to Whale® IC accessories



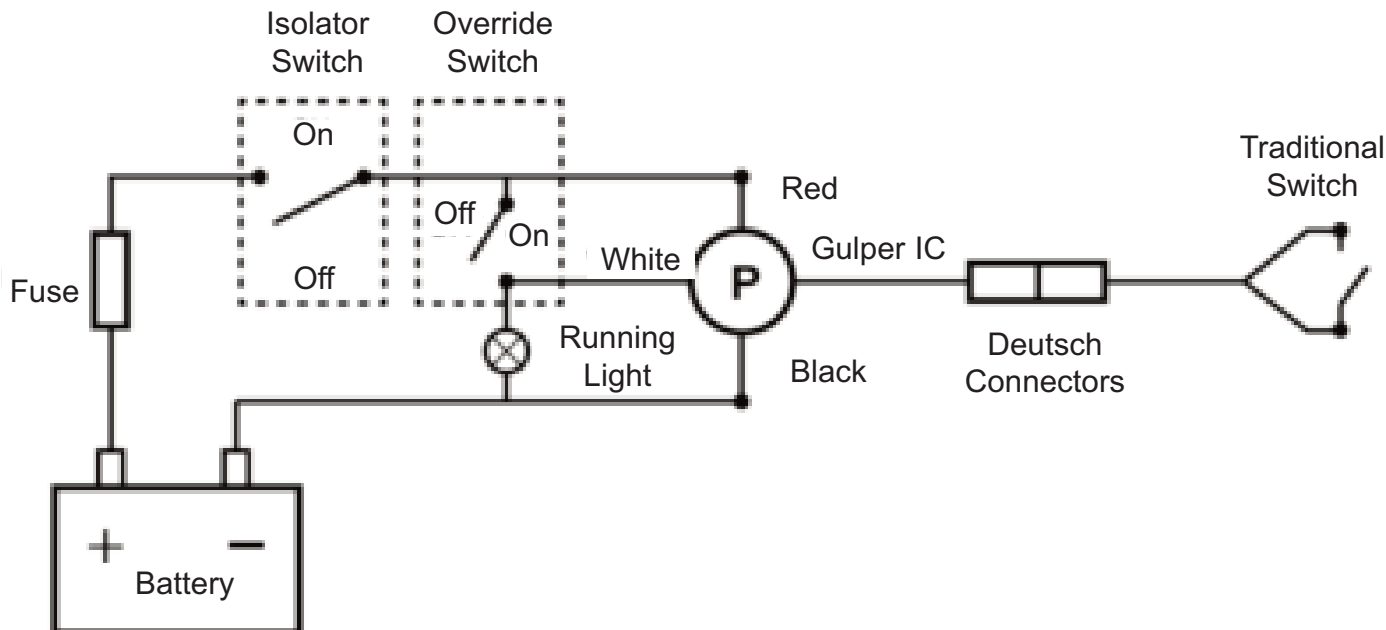


Fig 6b Wiring Gulper® IC to traditional switch - non Whale® IC accessories

**11.vi CONNECT SWITCHING CABLE**

If switching cable must be fitted through bulkhead, ensure a minimum hole diameter 25mm (1") is drilled.

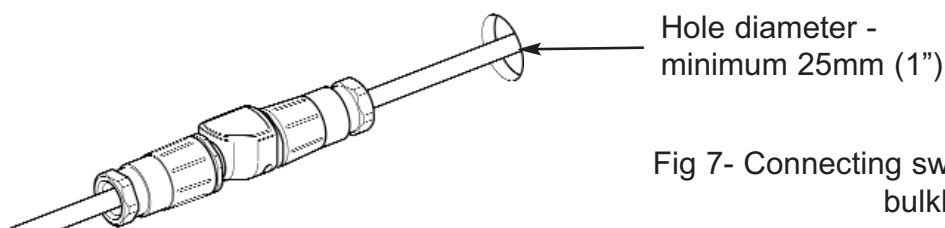


Fig 7- Connecting switching cable through bulkhead

**11.vii CONNECTING GULPER® IC TO WHALE® IC ACCESSORIES- GREY AND BILGE APPLICATIONS (SEE FIG 1-2)**

Connect the pre-wired Deutsch® connectors on Gulper® IC and Whale® IC accessory (see Fig 8.a)

**11.viii. INSTALLATION FOR GULPER® IC WITH TRADITIONAL SWITCHES OR NON- WHALE® IC ACCESSORIES (SEE FIG 2)**

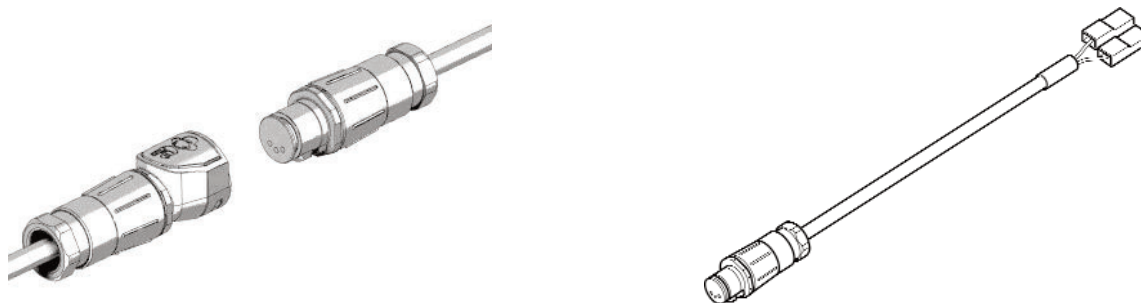


Fig 8a. STEP 1- Connect Deutsch® Connectors Fig 8b. STEP 2 - connect adaptor with 2 spades

**Use Adaptor AK2081 (available separately)** Deutsch® to traditional 2 spade connector lead to connect to non Whale® IC remote mounted manual switch/ flow switch or gulley switch. (see Fig 2)

- Step 1 - Connect Deutsch® connector on Gulper® IC to adaptor (see Fig 8.a)
- Step 2 - Connect adaptor traditional 2 spade connections to traditional switch or non Whale® IC accessory. (see Fig 8.b)

## 12. PLUMBING

Use 19mm (3/4") or 25mm (1") smooth bore reinforced pipework to connect to the pump. Secure the pipework on inlet and outlet with worm drive hose clip (Fig 9)

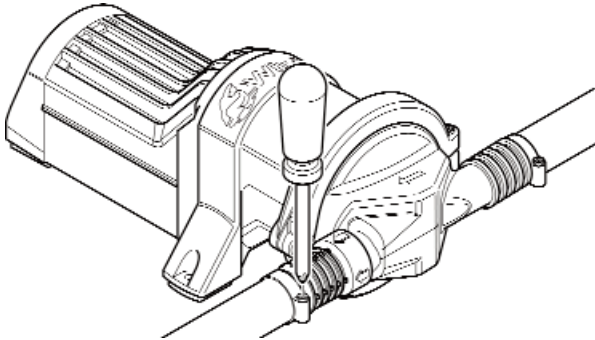


Fig 9 Secure pipework

## 13. INSTRUCTIONS FOR USE

Ensure that pump installation is thoroughly tested before first use.

**NOTE** - These are all automatic or semi-automatic applications; therefore ensure that the isolator switch is turned on. **Do not leave the craft unattended with the electrical system energized except in a bilge application.**

### 13.i GREY WASTE APPLICATION

#### **GULPER® IC - WITH GREY WASTE WHALE® IC ACCESSORIES**

Gulper® IC with Gulley IC - Switch on shower to run grey waste through Gulley IC and check pump is operating (1 second start delay). **NOTE** The pump should stop 9 seconds after deactivation.

Gulper® IC with Two Way Manifold IC - Switch on shower and or sink to run grey waste through Two Way Manifold IC and check pump is operating (1 second start delay). **NOTE** The pump should stop 9 seconds after deactivation.

Gulper® IC - used with non Whale® IC accessories - Activate the switch to check pump operation (1 second start delay). **NOTE** The pump should stop 9 seconds after deactivation.

## 14. MAINTENANCE

This Whale Gulper® IC is designed to only require minimal maintenance.

**WARNING:** Before servicing pump, turn off pump and drain water from system.

### Annual Checks

- Whale advise that the boat's plumbing system is checked annually for leaks and obstructions. Also a pump electrics check is advisable.
- Before inspecting or replacing the diaphragm, disconnect the electrical supply.

### Optimal Performance

- Ensure this product is clear of debris

### IF THE PUMP IS NOT OPERATING AS EXPECTED:-

- Loosen the hose clips to release the pump from plumbing.
- Unscrew the Ezi-clamp clamping ring to release the pump head - see Fig 4
- This will release the pump head, and allow easy access to the valves & diaphragm.
- The diaphragm and valves should be checked for any excessive wear, damage or cracks, and should be replaced if necessary (service kit AK2050 - replacement pump head).

### Cleaning

Gulper® IC and accessories should be wiped clean regularly to maintain optimal performance and ensure no clogging occurs. **WARNING:** Do not use abrasive cleaners.

## 15. HELPFUL HINTS

The unique ezi-clamp ring makes installation and maintenance of the pump easier with a retaining screw which means the head can be fitted or replaced easily by one fitter, without the risk of dropping screws.

## 16. TROUBLESHOOTING

**WARNING: DO NOT** unscrew the rear section, as interference with the internal electrics will render the pump unfit for use - this is a non-serviceable part of the pump.

PROBLEM	POSSIBLE CAUSES	POTENTIAL SOLUTION
Fuse blown or loose electrical connection	Main power (Isolator switch) supply OFF /not working. Loose wiring connection	Check the isolator switch is on
	Pump circuit has no power	Check electrical connections to ensure pump is receiving power as normal and free from corrosion. Check there is 12/24 volts from the battery
	Fuse blown or loose electrical connection	Check the in-line fuse & ensure all electrical connections are tight and free from corrosion. If fuse has blown check for reverse polarity, closed valves or seacocks, then for debris in pump head and clean out if necessary. (See section 11). Replace fuse and run pump
Failure to prime - Motor operates, but no pump discharge	Shower/sink drain is clogged	Check/ clean the shower/sink drain
	Debris under flap valves / not seated properly	Turn off electrics and disconnect plumbing check valves for blockages and remove debris
	Air leak in intake line	Check hose connections are airtight. Open pump head and check valves and diaphragm
	Punctured pump diaphragm	Replace the damaged part using service kit - Part number AK2050 (See section 14)
	Restricted intake or discharge line	Check all hose connections are airtight, free from blockages, and hose has not collapsed/ kinked
Pump fails to turn off when required	Grey waste IC accessory or traditional switch not working	Check IC accessory or traditional switch is operating properly (see section 13) , if not replace part (see specification table)
	Defective/ debris on grey waste float switch	Clear debris/ replace float switch.
	Insufficient voltage to the pump	Check power supply to pump
Low Flow	Air leak at pump intake	Check the hose connections are airtight
	Debris inside pump and plumbing	Turn off electrics and disconnect plumbing, check for blockages and remove (See section 14)
	Punctured pump diaphragm	Replace the damaged part using service kit - Part number AK2050 (See section 14)
	Defective electronic control	Replace pump. If within specified warranty period contact Whale (see details below)

## 17. WINTERIZING

**NOTE** - When winterizing, fully drain system

Whale® cannot guarantee warranty if the system is not fully drained for winterizing

## 18. PATENTS AND TRADEMARKS

Whale® and Gulper ® are registered trademarks to Munster Simms Engineering Limited.

Whale® Gulper® IC products are protected by the following patent applications:-

P92580GB00

P92043GB00

DEUTSCH® is a registered trade name of Deutsch Group. Santoprene® is a registered trade name of Advanced Elastomer Systems, LP, an Exxonmobil Chemical Affiliate Delrin,® Teflon® and Neoprene are registered trade names of Dupont Neumeurs and Co. Monprene® is a registered trade name of Technore Apex.

## 19. WARRANTY STATEMENT

This Whale® product is covered by a 3 year warranty - Please see enclosed document for details of our statement of limited warranty

For more information contact:

**Whale (Munster Simms Engineering Ltd)**, 2 Enterprise Road, Bangor, N. Ireland BT19 7TA  
Tel: +44 (0)28 9127 0531 Email: [info@whalepumps.com](mailto:info@whalepumps.com)

## 20. DECLARATION OF CONFORMITY, STANDARDS, APPROVALS

This product complies with all relevant European directives and standards. Please contact Whale® if further details are required

### **Manufacturer's Declaration**

We hereby declare, under our sole responsibility, that the enclosed equipment complies with the provisions of the following EC Directives.

Electromagnetic Compatibility Directive 89/336/EEC, amended by 92/31/EEC and 93/68/EEC on the approximation of the laws of the Member States relating to electromagnetic compatibility.

Low Voltage Directive 73/23/EEC amended by 93/68/EEC on the harmonization of the laws of the Member States relating to electrical equipment designed for use within certain voltage limits.

**CE mark affixed:** 19/04/10

### **Basis on which conformity is declared**

The above equipment complies with the protection requirements of the EMC Directive and the principal elements of the safety objectives of the Low Voltage Directive.

### **Standards applied**

EN60335 - 1:2002

Safety household and similar electrical appliances

EN60335 - 2:41:2003

Particular requirements for pumps

EN55014 - 1:2000

Electromagnetic compatibility. Requirements for household appliances, electric tools and similar apparatus. Emission

EN55014 - 2:1997

Electromagnetic compatibility. Requirements for household appliances, electric tools and similar apparatus. Immunity. Product family standard

Date: 31st May 2010

Richard Bovill  
Engineering Director

©Copyright Whale 2019 - All rights reserved. Reproduction in whole or in part without permission is prohibited. WHALE®, is a registered trademark of Munster Simms Engineering Limited, Bangor, Northern Ireland trading as Whale. Whale's policy is one of continuous improvement and we reserve the right to change specifications without prior notice. Illustrations are for guidance purposes only.

Neither the accuracy nor completeness of the information contained in this or any product literature is guaranteed by the Company and may be subject to change at its sole discretion.

# MANUEL D'INSTALLATION ET D'OPERATION

## Gamme de pompes d'évacuation Whale® Gulper IC

FR

Numéro de modèle	Description
BP2082B	Gamme de pompes d'évacuation Whale® Gulper IC - 12 V d.c.
BP2084B	Gamme de pompes d'évacuation Whale® Gulper IC - 24 V d.c.
SG8284	Système de pompage d'eau grise avec Gulley IC- 12 V d.c.
SG8484	Système de pompage d'eau grise avec Gulley IC - 24 V d.c.
WM8284	Système de pompage d'eau grise avec Two Way Manifold IC-12 V d.c.
WM8484	Système de pompage d'eau grise avec Two Way Manifold IC-24 V d.c.

## INSTALLATION

Merci pour l'achat de ce produit Whale. Depuis plus de 70 ans Whale a mené la marche en terme de conception et de fabrication de produits pour les systèmes d'eau douce et d'eau usées incluant - la plomberie, la robinetterie, les douches et pompes, pour les applications basse tension. L'entreprise et les produits ont construit une image de qualité, de fiabilité et d'innovation ainsi qu'un excellent service à la clientèle. Pour plus d'information sur notre gamme complète de produits, visitez: [www.whalepumps.com](http://www.whalepumps.com)

### 1. TYPICAL INSTALLATION

Cette Gulper IC est une pompe d'évacuation de grande capacité avec contrôle intelligent électronique incorporé conçu pour être installé à bord de véhicule de loisirs:

Il y a deux options d'installation. Option 1- Gulper IC - Pompe d'évacuation avec accessoires pour eaux usées Whale IC (disponible séparément) voir fig. 1a et 1b pour 3 accessoires disponible -

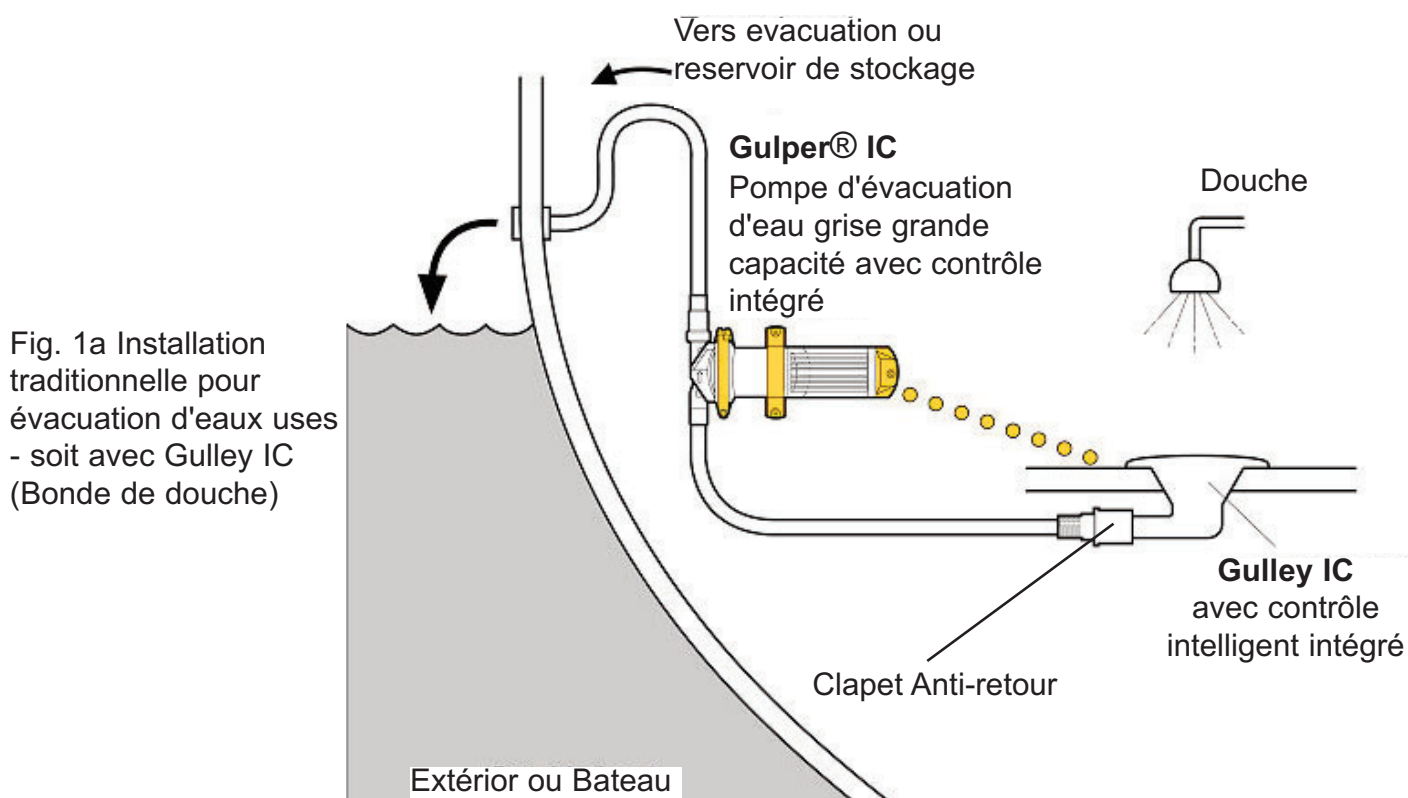
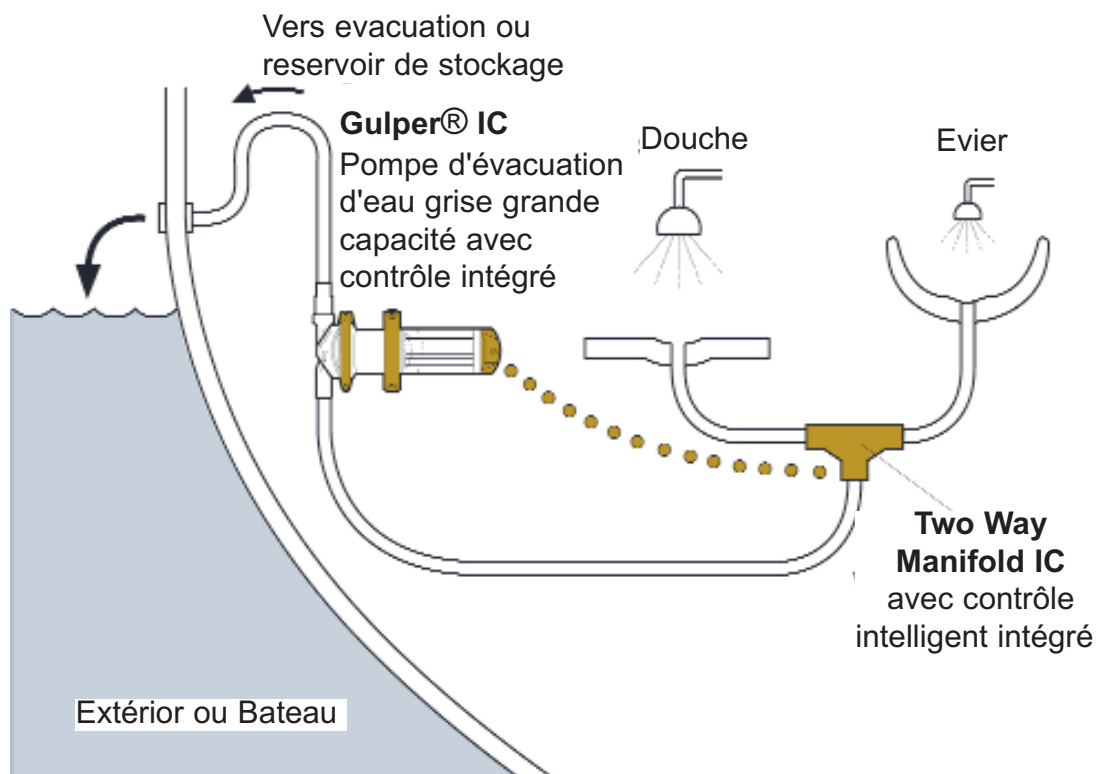


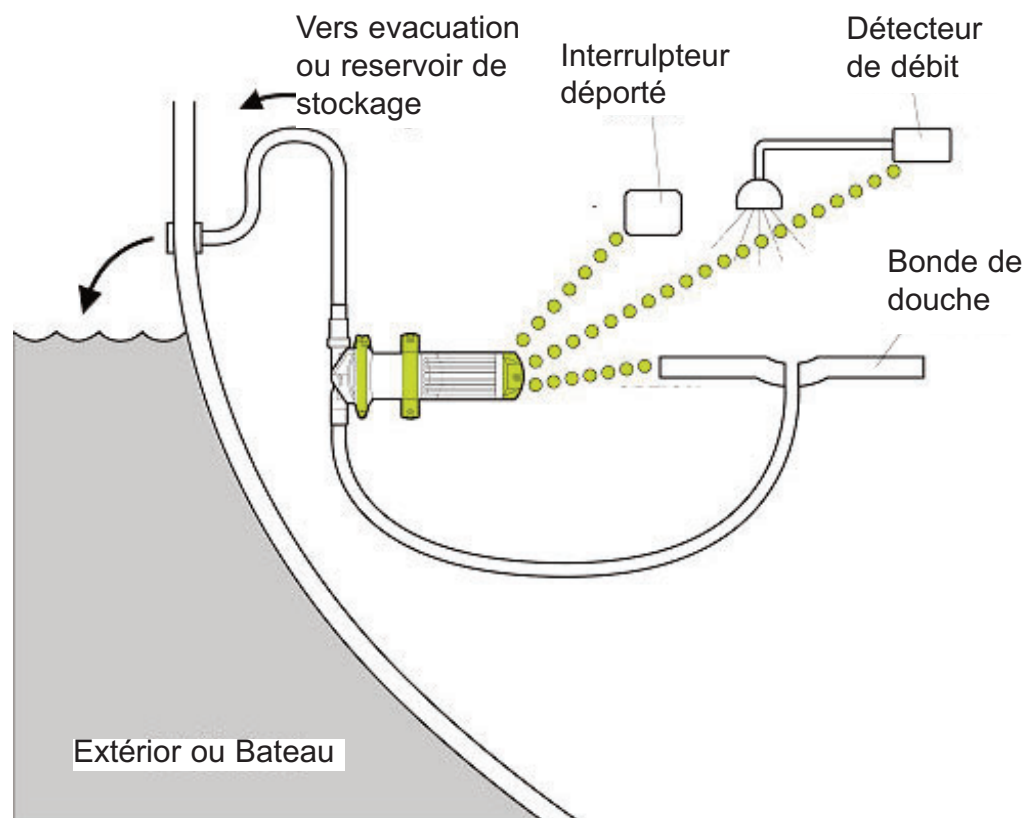
Fig. 1a Installation traditionnelle pour évacuation d'eaux usées - soit avec Gulley IC (Bonde de douche)

Fig. 1b Installation traditionnelle pour évacuation d'eaux usées - avec Two Way Manifold IC (Clarinette Intelligente)



Option 2 - Pompe d'évacuation Gulper IC avec accessoires d'évacuation autre que Whale IC - voir fig. 2 pour les options

Fig. 2 - Installation traditionnelle pour évacuation des eaux usées - utilisés avec interrupteur ordinaire / accessoire non-Whale IC



## 2. SPECIFICATION

**Note** – La capacité de sortie dépend des conditions d'installation et d'utilisation. La politique de Whale est de continuellement améliorer ses produits donc nous nous réservons le droit de changer les caractéristiques sans préavis.

<b>Modèle</b>	<b>Gulper® IC</b>					
Code Produit	BP2082B	SG8284	WM8284	BP2084B	SG8484	WM8484
Tension	12 V d.c.			24 V d.c.		
Gamme de Tension	10 V d.c. à 13.6 V d.c.			21.6 V d.c. à 27.2 V d.c		
Raccords vers tuyauterie	Connection pour tuyau souple vers 19mm ou 25mm					
Taille de fusible recommandée	10 A			5 A		
Section de câble minimum	1.5mm <sup>2</sup> (16 AWG)					
Masse	1.6 kg	2.6 kg	2.6 kg	1.6 kg	2.6 kg	2.6 kg
Matériaux	<b>Tête de Pompe</b> - Polypropylène chargé fibre de verre <b>Valves et Diaphragme</b> - Santoprene®, <b>Corps de pompe</b> - Aluminium <b>Roue dentée</b> - Delrin, <b>Visserie</b> - Acier Inoxydable					
Kits d'entretien	AK2050 - Tête de remplacement pour pompe Gulper					
Accessoires (Pour BP2082B etd BP2084B)	SG3482B - Petite Gulley IC - câble 2 m SG3484B - Petite Gulley IC - câble 4 m SG1982B - Grande Gulley IC - câble 2 m SG1984B - Grande Gulley IC - câble 4 m WM1982B - Two Way Manifold - câble 2m raccords 19mm WM1984B - Two Way Manifold - câble 4m raccords 19mm WM2582B - Two Way Manifold - câble 2m raccords 25mm WM2584B - Two Way Manifold - câble 4m raccords 25mm WM3882B - Two Way Manifold - câble 2m raccords 38mm WM3884B - Two Way Manifold - câble 2m raccords 38mm					
Connecteurs (accessoires)	Connecteurs Deutsch: Quick Connect series 7 voies AK2081 - Connecteur Deutsch vers deux cosses électriques AK2086B - Deutsch Connector Extension Cable 6m					
Hauteur d'Aspiration Maximum (vertical)	3m					
Hauteur d'Evacuation Maximum (vertical)	3m					
Hauteur d'Aspiration et d'Evacuation combinée (vertical)	4m					
Temporisation opérationnelle	Temporisation Marche / Arrêt					
Profil de l'Intensité	Démarrage et Arrêt progressif					

<b>PERFORMANCE</b>				
Hauteur d'Aspiration	0m	0m	1m	1m
Hauteur d'Evacuation	1m	1m	1m	1m
Taille du tuyau	19mm	25mm	19mm	25mm
Débit par minute	19 ltrs	17.5 ltrs	17.5 ltrs	15.5 ltrs
Débit par Heure	1140 ltrs	1050 ltrs	1038 ltrs	930 ltrs
Consommation de Courant (12V d.c.)	7.5 amps	8 amps	7.5 amps	8 amps
Consommation de Courant (24V d.c.)	3.25 amps	4 amps	3.25 amps	4 amps



### 3. CONTENU

- |     |                             |     |                                                        |
|-----|-----------------------------|-----|--------------------------------------------------------|
| 1.  | INSTALLATION TRADITIONNELLE | 12. | PLOMBERIE                                              |
| 2.  | SPECIFICATION               | 13. | INSTRUCTIONS D'UTILISATION                             |
| 3.  | TABLE DES MATIERES          | 14. | ENTRETIEN                                              |
| 4.  | PRINCIPES D'OPERATION       | 15. | CONSEILS UTILES                                        |
| 5.  | À L'UTILISATEUR             | 16. | DEPANNAGE                                              |
| 6.  | POUR L'INSTALLATEUR         | 17. | HIVERNAGE                                              |
| 7.  | APPLICATION                 | 18. | BREVETS ET MARQUES                                     |
| 8.  | MISES EN GARDE              | 19. | GARANTIE                                               |
| 9.  | NOMENCLATURE                | 20. | DECLARATION EUROPEENNE<br>DE CONFORMITE, CERTIFICATION |
| 10. | AUTRES OPTIONS              |     |                                                        |
| 11. | INSTALLATION                |     |                                                        |

#### Liste d'images

- Fig. 1a&b Installation traditionnelle pour évacuation d'eaux usées - soit avec Gulley IC (Bonde de douche) et avec Two Way Manifold IC (Clarinette Intelligente)
- Fig. 2 Installation traditionnelle Gulper IC en tant que pompe d'évacuation d'eaux usées utilisé avec accessoires autre que Whale IC
- Fig. 3 Orientation de la pompe
- Fig. 4 Installation Gulper IC
- Fig. 5 Installation bride de fixation de câble
- Fig. 6a Câblage de Gulper IC vers accessoires Whale IC
- Fig. 6b Câblage de Gulper IC vers interrupteur ordinaire, accessoires autre que IC
- Fig. 7 Connecter le câble d'accessoire à travers une cloison
- Fig. 8a ETAPE 1- Connecter le connecteur Deutsch
- Fig. 8b ETAPE 2 - Connecter l'adaptateur avec les 2 cosses
- Fig. 9 Entretien de Gulper IC

### 4. PRINCIPALS D'OPERATION

#### IC - Technologie "Intelligent control"

Au coeur de chaque produit Whale IC repose une gestion électronique innovante intégrée. Celle-ci permet aux accessoires Whale IC de communiquer directement avec les pompes IC afin de contrôler leurs performances. Ces accessoires envoient des signaux au logiciel incorporé, lequel agit sur la pompe suivant la demande.

#### Gulper IC

La pompe entièrement automatique et auto-amorçante Gulper IC est conçue pour pomper les eaux usées de douche/lavabo (soit par dessus le bord ou dans un réservoir de stockage) ou pour pomper les eaux de cale en tant que pompe de cale déportée. La capacité de pompage dépend de l'installation et des conditions de fonctionnement.

#### APPLICATION POUR EAUX USEES - AVEC ACCESSOIRES WHALE IC

Lorsque la Gulper IC est installée en tant que pompe d'évacuation d'eaux grises avec un accessoire Whale IC pour évacuation d'eaux usées, des signaux électriques sont envoyés du Gulley IC ou du Two Way Manifold IC seulement lorsque de l'eau usée à besoin d'être pompée. (Voir fig. 1a et 1b)

#### APPLICATION POUR EAUX USEES - AVEC ACCESSOIRES AUTRE QUE WHALE IC

La Gulper IC peut également être installée en tant que pompe d'évacuation d'eaux grises avec un accessoire autre que Whale. Ceci permet à l'installateur de mettre en place une interruption de contrôle à faible courant permettant d'éviter tout risque d'arc électrique du aux grandes intensités. (Voir fig 2)

## 5. A L'UTILISATEUR

Lisez attentivement ce qui suit avant l'installation

**ATTENTION:** Notez qu'une installation incorrecte peut invalider la garantie.

## 6. A L'INSTALLATEUR

Vérifiez que le produit est adapté à l'application désirée, suivez la notice d'installation et assurez vous que tout le personnel impliqué lise les points détaillés ci-dessous.

Assurez-vous également que ces instructions soient passées à l'utilisateur final.

## 7. APPLICATION

La Gulper IC, pompe auto amorçable a été spécialement conçue pour pomper les eaux usées du plateau de douche / évier de la cuisine (soit par-dessus bord, ou dans un réservoir d'eaux usées). Ses capacités de débit dépendent de l'installation et des conditions d'utilisation. Si la pompe est utilisée pour tout autre usage ou pour tout autre liquide, se sera à l'utilisateur de s'assurer que la pompe convient à l'utilisation souhaitée et, en particulier que les matériaux sont totalement compatibles avec les liquides utilisés. Pour toute utilisation il est important qu'un système fiable de procédure soit appliqué à l'installation, l'utilisation et l'entretien.

## 8. MISES EN GARDE

- Cette pompe ne doit pas être montée en-dessous de la ligne de flottaison lorsqu'elle est connectée à une entrée ou une sortie à moins que le système dispose d'une boucle de ventilation (voir fig. 1 - 2).
- Cette pompe n'est pas adaptée au pompage de liquides inflammables, diesels, produits chimiques, etc.
- Cette pompe n'a pas pour but un contrôle de l'avarie.
- Pour toute application, il est important qu'une méthode de travail sûre soit respectée lors d'installation, d'utilisation et maintenance. Assurez-vous que l'alimentation électrique soit coupée et que le système d'eau soit drainé avant toute installation. Afin de sécuriser la pompe, assurez-vous que la surface de montage fasse une épaisseur minimum de 19mm (lorsqu'elle est montée avec les vis fournis).
- **NOTE** Ne jamais visser directement dans la coque - le produit doit être monté sur une cloison ou sur une planche additionnelle.
- **NOTE NE PAS** dévisser la section arrière de la pompe car une interférence avec l'électronique interne rendra la pompe non-appropriée à l'utilisation. - cette section de la pompe n'est pas réparable.
- **ATTENTION:** Risque de feu. Le câblage doit être effectué en respect des standards électriques en vigueur et doit inclure un fusible de la taille correcte ou un coupe-circuit. Un câblage inapproprié peut entraîner un incendie entraînant des blessures ou la mort.



Couper l'alimentation électrique lorsque vous câblez. Les informations de câblage suggérées ne sont présentes qu'en tant que guide. Pour une information complète, référez-vous aux normes et standards USCG, ABYC et ISO pour les applications marines et les sections de câble, connecteurs et fusible de protection.

## 9. LISTE DES PIECES

Qté 1	Pompe Gulper IC
Qté 3	Rondelles et vis auto-taraudeuses No.8
Qté 1	Assemblage du fusible en ligne
Qté 1	Gulley IC ou Two Way Manifold IC (non inclus avec BP2082 ou BP2084)

## 10. EN OPTION

AK2081 - Connecteur Deutsch vers deux cosses électriques

AK2050 - Kit d'entretien - tête de remplacement vers toutes les pompes Gulper

AK2086B - Deutsch Connector Extension Cable 6m

## 11. INSTALLATION

**Note:** une installation incorrecte annulera la garantie

Préparation - Toujours déconnecter les sources de puissance avant toute installation

### 11.i Emplacement

- Choisissez un emplacement qui soit sec, éloigné le plus possible de l'eau et sans obstacles afin de monter la pompe
- Choisissez la position permettant la plus petite longueur de tuyau possible.

### 11.ii instructions de montage

- La Gulper IC peut être montée sur une surface horizontale ou verticale.
- Quand elle est montée verticalement, assurez-vous que la pompe a le plus possible la tête en bas (voir fig. 3).

**NOTE** - Il est recommandé de monter l'évacuation au-dessus de la ligne de flottaison et de créer un col de cygne si possible - voir installation traditionnelle fig. 1 - 2

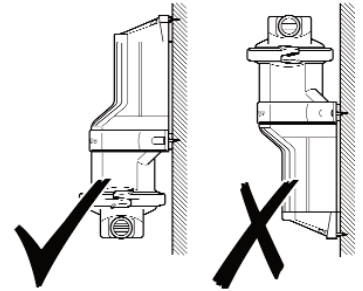


Fig. 3 - Orientation de la pompe

- Lors du montage, positionnez la pompe sur la surface et trouvez le meilleur angle pour le tuyau (afin d'éviter tout affaissement du tuyau sur lui-même) et marquez la position des trois trous pour le montage en utilisant les pieds.

**NOTE** La tête de pompe peut s'orienter pour s'adapter aux tuyaux. Desserrez la vis, ajustez et repositionnez la tête dans la position désirée (fig. 4) puis resserrez la vis.

- Percez les trous de guidage à 3.2mm.

**NOTE:** ne percez pas à travers la coque, assurez-vous que la pompe est montée sur une planche additionnelle ou une cloison.

- Utilisez les vis auto-taraudeuses et les rondelles fournis afin de sécuriser la pompe.
- Utilisez un tuyau de 19mm ou 25mm renforcé afin de connecter le tuyau utilisant des colliers à vis tangente.

**NOTE:** Les connections sur la tête de pompe permettent à différentes tailles de tuyau d'être facilement raccordé.

**NOTE:** Assurez-vous de bien serrer les raccords, mais sans excès surtout sur l'anneau de serrage de la pompe, les vis et les colliers à vis tangente.

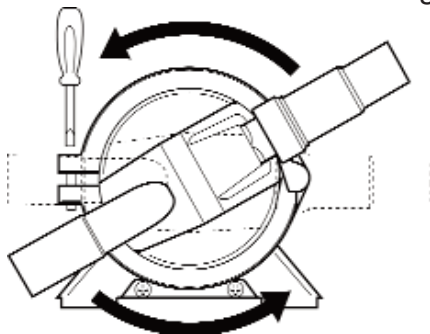


Fig 4 - Installation de la Gulper

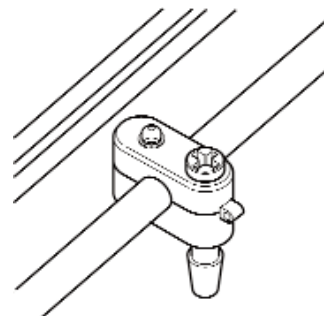


Fig 5 - Installation de la bride pour câble

- Vissez la bride pour câble en vous assurant qu'elle soit positionnée à environ 100mm de la section arrière de la pompe (fig. 5).

**NOTE:** Afin d'assurer une mise en place sûre de la pompe, assurez-vous que celle-ci soit montée sur une surface de montage d'au moins 19mm d'épaisseur.

### 11.iii Câblage électrique

- Pour une installation avec un accessoire Whale IC - utilisez les connecteurs Deutsch déjà en place
- Pour une installation avec un accessoire autre que Whale - utilisez l'adaptateur de connecteur AK2081 - disponible séparément
- Si vous ne connaissez pas les standards et normes électriques applicables, assurez-vous que le produit soit installé par un électricien/technicien qualifié.

**ATTENTION:** Risque d'incendie. Le câblage doit respecter les standards électriques applicables et inclure un fusible de taille correct ou un coupe-circuit. Un câblage non approprié peut créer un feu pouvant entraîner des blessures ou la mort.

**NOTE:** Avant tout câblage électrique, pensez à couper l'alimentation électrique. Les informations de câblage suggérées ne sont là qu'à titre d'information seulement. Pour une information complète reportez vous aux réglementations USCG, ABYC et ISO pour les applications marine et pour les sections de câble, les connecteurs et les protections par fusible.

### CONNECTER LES CABLES D'ALIMENTATION

La polarité est indiquée par la couleur des câbles d'alimentation (positif-rouge, négatif-noir).

Le fil blanc peut être connecté à une lumière courir pour indiquer quand le système est en cours d'utilisation et / ou comme un interrupteur de commande manuelle.

**NOTE:** La pompe est protégée contre les inversions de polarité.

**NOTE:** Une section de câble sous-dimensionnée avant la pompe réduira la tension aux bornes lorsque la pompe sera en charge, entraînant des performances faibles et un possible problème au niveau du moteur.

- Assurez-vous que tous les câbles d'alimentation installés aient une section minimum de 1.5mm<sup>2</sup> (16 AWG).
- Afin de contrôler l'alimentation de la pompe un coupe-circuit devrait être installé entre le positif de la batterie et le câble positif de la pompe.

**ATTENTION** Assurez-vous que le câblage électrique ne fasse pas de boucle susceptible d'entraîner une chute.

### 11.iv INSTALLATION DU FUSIBLE

Taille de fusible pour pompe BP2082B (12V d.c.) 10 Amp

Taille de fusible pour pompe BP2084B (24V d.c.) 5 Amp

Le fusible en ligne fourni doit être installé sur le côté positif de la pompe (fig. 6 a ou b).

**ROLE DU FUSIBLE:** Le rôle du fusible est de protéger la pompe de tout dommage important suite à un blocage du système, pour cette raison assurez-vous que toutes les vannes passe-coque soit totalement ouvertes avant opération de la pompe.

Si le fusible saute:

- a) Vérifiez que toutes les vannes passe-coque sont ouvertes
- b) Vérifiez que les raccords de sortie et d'entrée ne sont pas bouchés
- c) Vérifiez que le reste du système ne soit pas bouché de quelque manière que ce soit
- d) Vérifiez les inversions de polarité

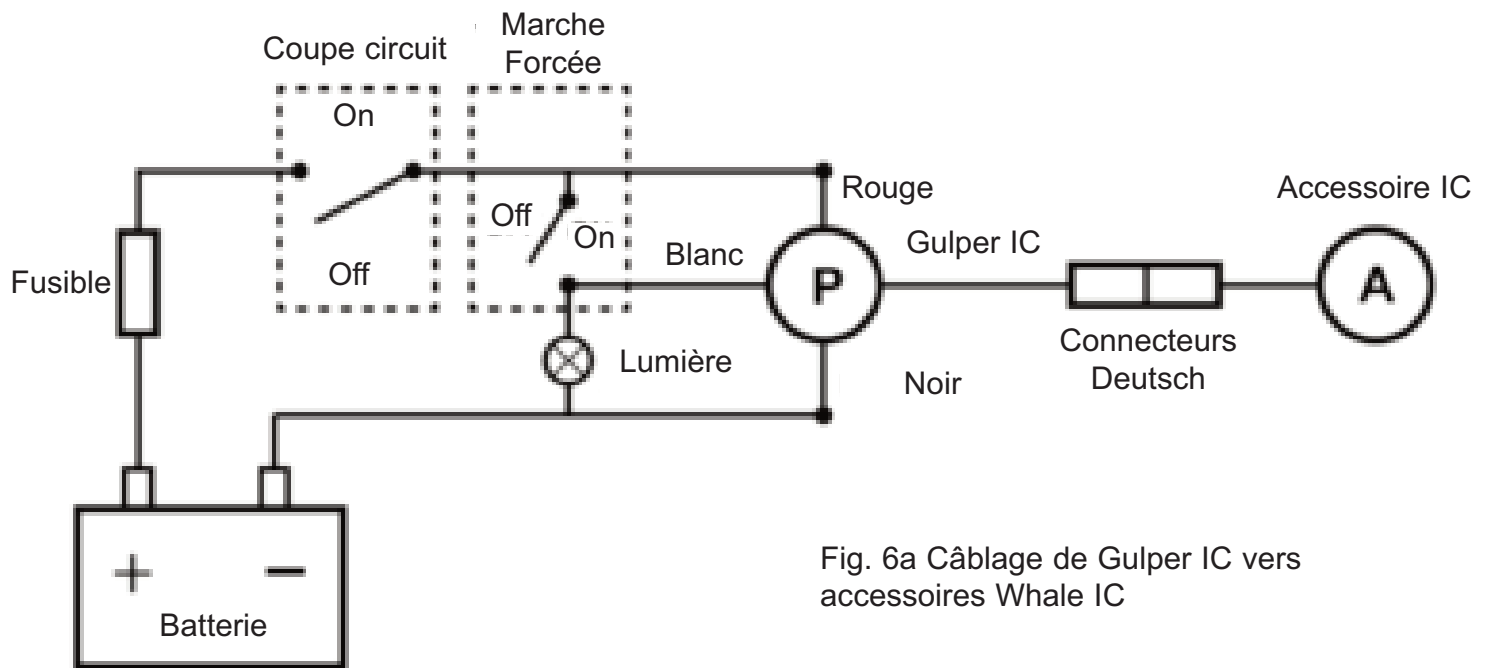


Fig. 6a Câblage de Gulper IC vers accessoires Whale IC

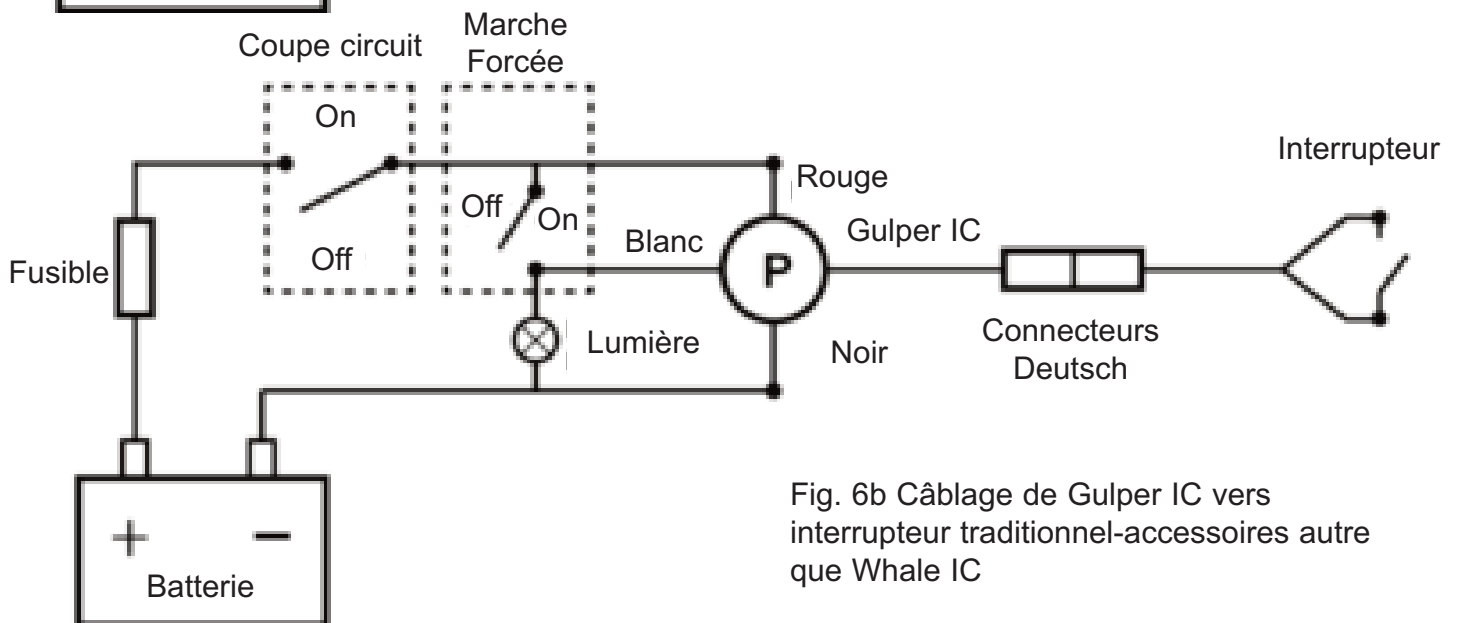


Fig. 6b Câblage de Gulper IC vers interrupteur traditionnel-accessoires autre que Whale IC

### 11.v Schémas de câblage:

#### 11.vi CONNECTEZ LE CABLE DE COMMANDE

Si le câble de commande doit être installé à travers une cloison, assurez-vous qu'un trou minimum diamètre 25mm soit percé.

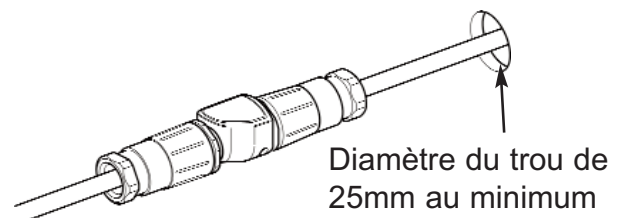


Fig. 7 - Connectez le câble de commande à travers la cloison

#### 11.vii CONNECTEZ LA GULPER IC VERS UN ACCESSOIRE WHALE - APPLICATIONS EAUX GRISES ET EAUX DE CALE (VOIR FIG. 1-3)

Connectez les connecteurs Deutsch sur la Gulper IC et l'accessoire Whale IC.

#### 11.viii. IINSTALLATION POUR GULPER IC AVEC INTERRUPTEURS ORDINAIRE OU AUTRE 21 QUE WHALE IC (VOIR FIG 2)

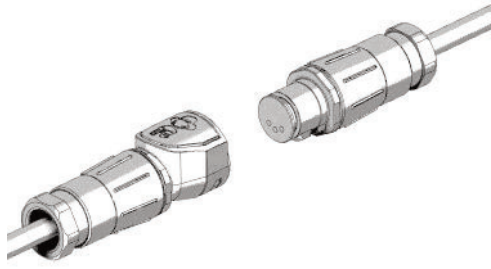


Fig. 8a. ETAPE 1- Connecter les connecteurs Deutsch

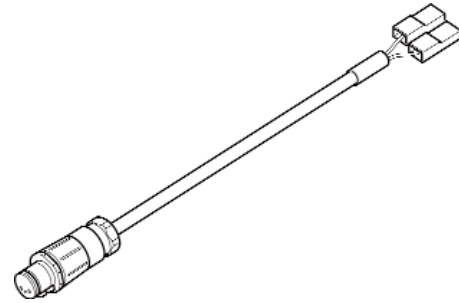
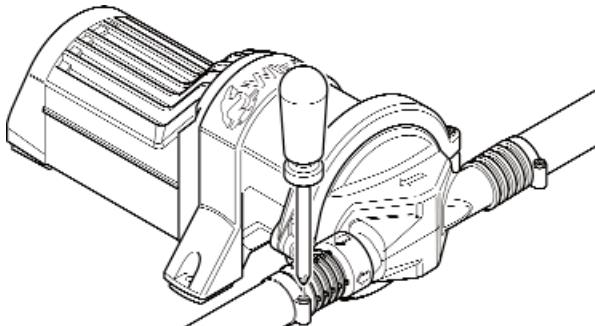


Fig. 8b. ETAPE 2-Connectez l'adaptateur avec les 2 cosses

Utilisez l'adaptateur AK2081 (disponible séparément) Deutsch vers interrupteur ordinaire/ flotteur ou interrupteur de débit. (Voir fig. 2.) Etape 1 - connectez le connecteur Deutsch sur la Gulper IC à l'adaptateur (voir fig. 8a) Etape 2 - connectez les cosses de l'adaptateur vers un interrupteur ordinaire ou non Whale IC. (Voir fig 8b)

## 12. PLOMBERIE



Utilisez les connections renforcées 19mm (3/4") ou 25mm (1") pour connecter à la pompe. Sécurisez les connections sur l'entrée et la sortie a l'aide d'un collier à vis tangente - Fig. 9

Fig. 9 sécurisez les connections

## 13. INSTRUCTIONS D'UTILISATION

Assurez-vous que la pompe soit bien testée avant la première utilisation.

**NOTE:** Les systèmes de pompage sont automatiques ou semi-automatiques, donc assurez-vous que le coupe-circuit du système soit en position marche.

### 13.i APPLICATIONS POUR EAUX USEES GULPER IC - AVEC ACCESSOIRES POUR EAUX USEES WHALE IC

**Gulper IC avec Gulley IC** - Mettez en fonctionnement la douche afin de faire écouler les eaux usées à travers la Gulley IC et vérifiez que la pompe fonctionne (temporisation au démarrage de 1seconde). **NOTE** La pompe devrait s'arrêter 9 secondes après désactivation.

**Gulper IC avec Two Way Manifold IC** - Mettez en marche la douche ou le robinet pour faire écouler de l'eau à travers le Two Way Manifold IC et vérifiez que la pompe fonctionne (temporisation au démarrage de 1 seconde). **NOTE** La pompe devrait s'arrêter 9 secondes après désactivation.

**Gulper IC - utilisée avec un accessoire autre que WHALE IC** - Activez l'interrupteur afin de vérifier le fonctionnement de la pompe (temporisation au démarrage de 1 seconde). **NOTE** La pompe devrait s'arrêter 9 secondes après désactivation.

## 14. MAINTENANCE

Cette pompe Whale Gulper IC est conçue afin de demander un minimum d'opération d'entretien.

**MISE EN GARDE:** Avant tout entretien, coupez l'alimentation électrique de la pompe et purgez l'eau du système.

### Vérifications annuelles

- Whale recommande que le système de plomberie de votre bateau soit vérifié annuellement pour les fuites et colmatages.
- Avant inspection ou remplacement d'une membrane, déconnectez l'alimentation électrique.

### Performance Optimale

- Assurez-vous que ce produit n'abrite aucun débris

### SI LA POMPE NE FONCTIONNE PAS COMME PREVU:

- Desserrez les colliers à vis tangente afin de retirer la pompe de la plomberie.
- Dévissez l'anneau de serrage afin de libérer la tête de pompe - voir Fig. 5
- Cela va libérer la tête de pompe, et permettra un accès facile aux valves et à la membrane.
- Les valves et la membrane devraient être vérifiées pour tout dommage excessif, fêlure ou usure, et devrait être remplacées si nécessaire (kit d'entretien AK2050 - remplacement de la tête de pompe).

### Nettoyage

La Gulper IC et les accessoires devrait être essuyés régulièrement afin d'assurer des performances optimales et qu'aucun colmatage/obstruction n'arrive.

**MISE EN GARDE:** N'utilisez pas de nettoyant abrasif.

## 15. CONSEILS UTILES

L'anneau de serrage unique "ezi-clamp" rend l'installation et la maintenance de la pompe plus facile avec une seule vis de serrage ce qui signifie que la tête de pompe peut être facilement montée ou remplacée par un unique utilisateur.

## 16. PROBLEMES

**MISE EN GARDE: NE DEVISSEZ PAS** la partie arrière de la pompe car des interférences avec l'électronique interne de la pompe rendrait celle-ci non appropriée à l'utilisation - cette partie de la pompe n'est pas remplaçable.

PROBLEME	CAUSES POSSIBLE	SOLUTION POTENTIELLE
Le moteur ne fonctionne pas	Alimentation électricité (coupe circuit) en position ARRET/ne fonctionnant pas. Faux contact électrique.	Vérifiez que le coupe-circuit est en position marche
	Le circuit de la pompe n'est pas alimenté	Vérifiez les connexions électriques pour s'assurer que la pompe est alimentée normalement et les connexions ne sont pas corrodées. Vérifiez qu'il y a 12/24v à la batterie
	Fusible fondu ou faux contact	Vérifiez le fusible en ligne et assurez-vous que les connexions électriques soient bonnes et sans corrosion. Si le fusible a sauté, vérifiez que les passecoques et les vannes ne soient pas fermés. Si ce n'est pas le cas vérifiez qu'il n'y a pas de débris dans la tête de pompe et nettoyez si nécessaire (référez -vous au chapitre des connexions électriques - section installation et fonctionnement de la pompe (voir section 11) Remplacer le fusible et faites fonctionner la pompe
Problème à l'amorçage - le moteur tourne, mais la pompe ne pompe pas	La douche/évier est obstrué	Vérifiez/nettoyez la douche/évier.
	Débris sous les valves, ou valves ne reposant pas plates	Coupez l'alimentation et déconnectez la plomberie, vérifiez les valves pour toute obstruction et retirez les débris (Voir section 14)
	Aspiration d'air dans la ligne d'aspiration	Ouvrez la tête de pompe et vérifiez les valves et la membrane (voir section 14)
	Membrane perforée	Remplacez la pièce endommagée en utilisant le kit d'entretien - numéro de kit d'entretien AK2050
	Restriction sur l'aspiration ou l'évacuation	Vérifiez que la tuyauterie à l'aspiration ne permette pas d'inclusion d'air, ne soit pas bloquée et ne s'affaisse pas sur elle-même
La pompe ne s'arrête pas quand désiré	Les accessoires IC pour eaux usées ou l'interrupteur traditionnel ne fonctionnent pas	Vérifiez que l'accessoire IC ou l'interrupteur traditionnel fonctionne correctement (voir section 13), si non remplacez l'accessoire
	Débris ou défaut du flotteur d'eaux usées. Tension aux bornes de la pompe insuffisante	Vérifiez l'alimentation électrique
	Interrupteur de marche force active	Arrêtez la marche forcée
Débit Faible	Inclusion d'air à l'aspiration	Vérifiez que la connection du tuyau est bien assurée
	Débris à l'intérieur de la pompe et de la tuyauterie	Coupez l'alimentation électrique, et déconnectez la plomberie, vérifiez une éventuelle obstruction des valves puis retirez tout débris (voir section 14)
	Punctured pump diaphragm	Remplacez la pièce endommagée en utilisant le kit d'entretien AK2050 (voir Section 14)
	Defective electronic control	Remplacez la pompe si elle est toujours dans la période de garantie spécifiée, contactez Whale (voir les détails ci-dessous)

## 17. HIVERNAGE

**NOTE:** Hivernage - Drainez entièrement la système. Whale® ne peut pas garantir le système si la pompe n'a pas été complètement drainée pour l'hivernage.



## 18. BREVETS/MARQUES DEPOSEES

Marques déposés - Whale® et Gulper® sont des marques déposés de Munster Simms Engineering limited (également appelé Whale Seaward Inc)

Les produits Whale Gulper IC sont protégés par les brevets d'application suivants:-

P92580GB00

P92043GB00

## 19. DECLARATION DE GARANTIE

Ce produit Whale® est couvert par une garantie de 3 ans - Pour plus de détail référez-vous au document joint spécifiant notre garantie limitée.

Contactez le service client de Whale® pour des conseils techniques supplémentaires

UK Tel: +44 (0)28 9127 0531

USA Tel: 1 616 897 9241

UK Email: info@whalepumps.com

USA Email: usasales@whalepumps.com

## 20. DECLARATION DE CONFORMITE, STANDARDS, CERTIFICATIONS

Ce produit répond à toutes les normes et directives européennes requises applicables.

### Déclaration du Fabricant

Nous déclarons, sous notre seule responsabilité, que l'équipement répond aux directives électromagnétiques suivantes.

Directive électromagnétique 89/336/EEC, mandatée par 92/31/EEC et 93/68/EEC sur l'approximation des lois des Etats membres relatant de la compatibilité Électromagnétique.

Directive basse tension 73/23/EEC mandatée par 93/68/EEC sur l'harmonisation des lois des Etats membres relatant de l'équipement électrique conçu pour l'utilisation dans une gamme de tension définie.

**Marque CE apposée le:** 10/1/05

### Base sur laquelle la conformité est déclarée

L'équipement ci-dessus répond aux points de la protection des équipements de la directive EMC et aux éléments principaux des objectifs de sécurité de la directive basse tension.

### Standards appliqués

EN60335 - 1:2002

Sécurité des appareils domestiques et des systèmes électriques similaires

EN60335 - 2-41:2003

Prescriptions particulières pour les pompes

EN55014 - 1:2000

Compatibilité Electromagnétique. Prescriptions pour les applications domestiques, les outils électriques et les appareils similaires. Emission

EN55014 - 2:1997

Compatibilité Electromagnétique. Prescriptions pour les applications domestiques, les outils électriques et les appareils similaires. Immunité

Date: 31st May 2010

Richard Bovill

Engineering Director

©Copyright Whale® 2019 - Tous droits réservés. Toute reproduction totale ou partielle sans autorisation est interdite. WHALE® est une marque déposée enregistrée de Munster Simms Engineering Limited, Bangor, Irlande du Nord, active sous le nom de Whale. La philosophie de Whale consiste à améliorer en permanence nos produits et nous nous réservons le droit de modifier les spécifications sans notification préalable. Les illustrations sont fournies à titre de référence uniquement. Aucune garantie n'est fournie par l'entreprise concernant l'exactitude ou l'exhaustivité des informations contenues dans ce document ou dans tout document produit et ces informations peuvent être soumises à des modifications à sa seule discrétion.

Modellnummer	Beschreibung
BP2082B	Whale® Gulper IC - Abwasserpumpen 12 V d.c.
BP2084B	Whale® Gulper IC - Abwasserpumpen 24 V d.c.
SG8284	Gulley IC - Grauwasser-Ausrüstung mit IC 12 V d.c.
SG8484	Gulley IC - Grauwasser-Ausrüstung mit IC 24 V d.c.
WM8284	Grey IC - Grauwasser-Ausrüstung mit IC 12 V d.c.
WM8484	Grey IC - Grauwasser-Ausrüstung mit IC 24 V d.c.

## MONTAGE- & GEBRAUCHSANLEITUNG

Vielen Dank, dass Sie sich für dieses Produkt von Whale® entschieden haben. Seit mehr als 70 Jahren ist Whale® führend in der Entwicklung und Herstellung von Frischwasser- und Abfallsystemen einschließlich Pumpen, Verrohrungen, Wasserhähne und Duschen für Niederspannungsanlagen. Das Unternehmen und seine Produkte sind zu einem Markenzeichen für Qualität, Zuverlässigkeit und Innovation geworden, die auf eine hervorragende Kundenbetreuung aufbauen. Angaben zu unserer vollständigen Produktpalette finden Sie unter [www.whalepumps.com](http://www.whalepumps.com).

### 1. STANDARDMONTAGE

Die Gulper® IC ist eine Abwasserpumpe mit hoher Kapazität und eingebauter intelligenter Steuerelektronik. Sie ist dafür designt um als Abwasserabflusspumpe mit hoher Kapazität in Freizeitwasserfahrzeuge eingebaut zu werden.

Es gibt zwei Möglichkeiten für die Montage:-

1. Möglichkeit – Die Gulper® IC-Abwasserpumpe mit Whale® IC-Abwasser-Zubehör (separat erhältlich). Siehe Abb.1a für Gulley IC-Zubehör und Abb.1b für Two Way Manifold IC-Zubehör.

Abb.1a –  
Standardmontage bei Verwendung der Gulper® IC als eine Grauwasserpumpe mit hoher Kapazität mit dem Gulley IC

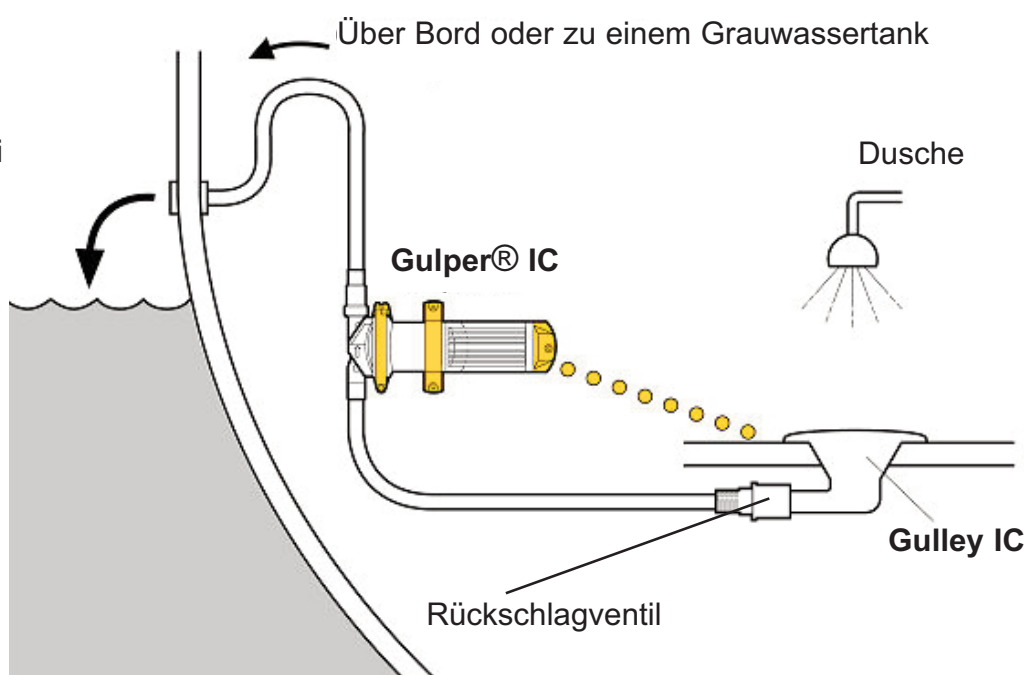
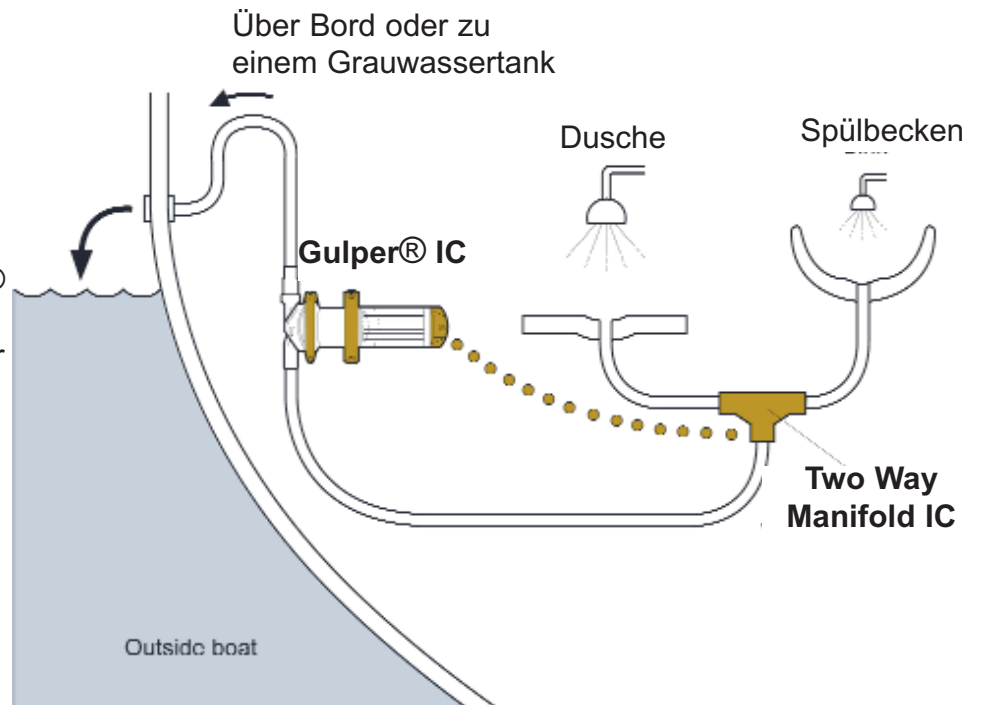
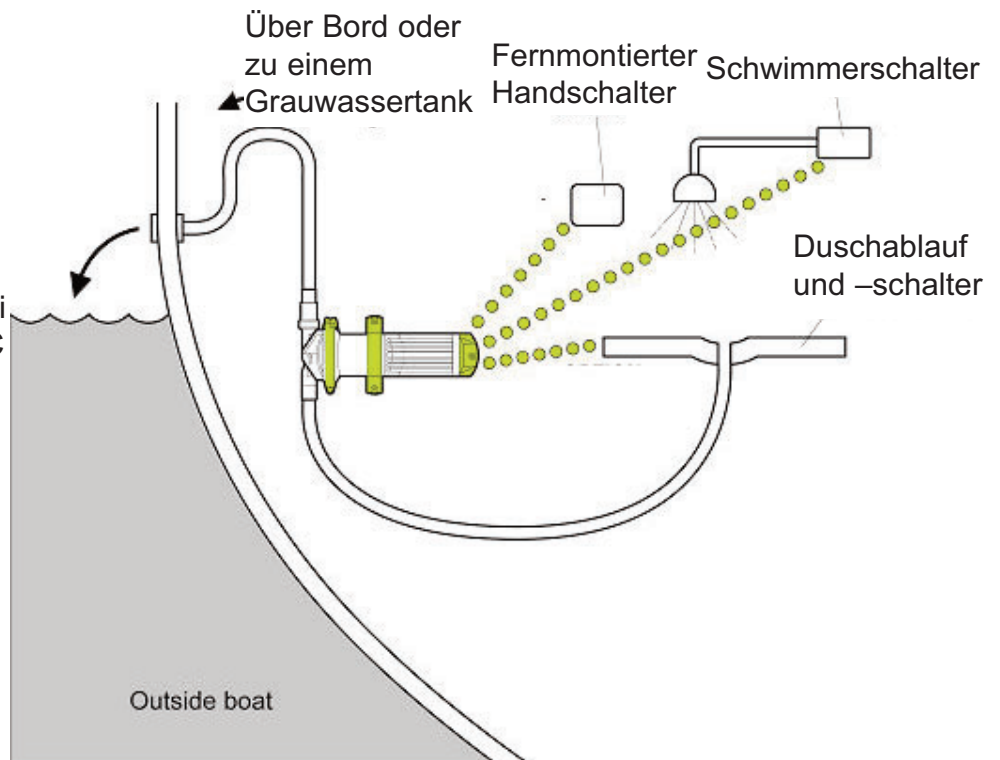


Abb.1b – Standardmontage bei Verwendung der Gulper® IC als eine Grauwasserpumpe mit hoher Kapazität mit dem Two Way Manifold IC



2. Möglichkeit – Die Gulper® IC-Grauwasserpumpe mit Zubehör, welches nicht von Whale® stammt

bb.2 – Standardmontage bei Verwendung der Gulper® IC als eine Grauwasserpumpe mit hoher Kapazität – mit einem konventionellen Schalter / Zubehör welches nicht aus der Whale® IC-Reihe stammt angewendet



## 2. DETAILIERTE AUFSTELLUNG

Modell	Gulper IC / Grauwasser-Ausrüstung mit IC					
Produktcode	BP2082B	SG8284	WM8284	BP2084B	SG8484	WM8484
Spannung	12 V Gleichstrom			24 V Gleichstrom		
Spannungsbereich	10 V bis 13.6 V Gleichstrom			21.6 V bis 27.2 V Gleichstrom		
Schlauchanschlüsse	Schlauchanschlüsse für 19 oder 25mm Ø					
Empfohlene Sicherungsgröße	10 A			5 A		
Minimale Kabelgröße	1.5mm <sup>2</sup> (16 AWG)					
Gewicht	1.6 kg	2.6 kg	2.6 kg	1.6 kg	2.6 kg	2.6 kg
Materialien	<b>Pumpenkopf</b> – Glasfaserverstärktes Nylon, <b>Ventile und Membran</b> – Santoprene®, <b>Pumpenkörper</b> – Aluminium <b>Getrieberad</b> – Delrin, <b>Befestigungseleweute</b> : Edelstahl					
Wartungsset	AK2050 – Gulper-Ersatzpumpenkopf					
Zubehör (ausschließlich für BP2082B und BP2084B separat erhältlich)	SG3482B - Small Gulley IC - 2 m Kabel SG3484B - Small Gulley IC - 4 m Kabel SG1982B - Large Gulley IC - 2 m Kabel SG1984B - Large Gulley IC - 4 m Kabel WM1982B - Two Way Manifold - 2m Kabel, 19mm Anschluss WM1984B - Two Way Manifold - 4m Kabel, 19mm Anschluss WM2582B - Two Way Manifold - 2m Kabel, 25mm Anschluss WM2584B - Two Way Manifold - 4m Kabel, 25mm Anschluss WM3882B - Two Way Manifold - 2m Kabel, 38mm Anschluss WM3884B - Two Way Manifold - 4m Kabel, 38mm Anschluss					
Anschlüsse	Deutsch-Stecker: Quick Connect-Serie 7 ways AK2086B Deutsch-Stecker-Verlängerungskabel 6m AK2081 Konventioneller Deutsch® zu einem Doppelflachstecker					
Maximale Ansaughöhe (vertikal)	3m					
Maximale Förderhöhe (vertikal)	3m					
Maximale Förderhöhe und Ansaughöhe kombiniert	4m					
Betriebsverzögerungen	Anlaufverzögerung / Ausschaltverzögerung					
Stromprofil	Sanftstart / Sanftstop					

### LEISTUNGSDATEN

Ansaughöhe	0m	0m	1m	1m
Förderhöhe	1m	1m	1m	1m
Schlauchdurchmesser	19mm	25mm	19mm	25mm
Durchflussmenge pro Minute	19 ltrs	17.5 ltrs	17.5 ltrs	15.5 ltrs
Durchflussmenge pro Stunde	1140 ltrs	1050 ltrs	1038 ltrs	930 Ltrs
Stromaufnahme (12 V)	7.5 A	8 A	7.5 A	8 A
Stromaufnahme (24 V)	3.25 A	4 A	3.25 A	4 A

**ANMERKUNG** - Die Pumpkapazität hängt von der Montage und den Betriebsbedingungen ab. Ein Grundsatz von Whale ist die ständige Weiterentwicklung von Produkten. Daher behalten wir uns das Recht vor, Spezifikationen ohne vorherige Ankündigung zu ändern.

### 3. INHALT UND GRAFIKEN

- |                                 |                                                      |
|---------------------------------|------------------------------------------------------|
| 1. Standardmontage              | 11. Montage                                          |
| 2. Detaillierte Aufstellung     | 12. Schlauchanschluss                                |
| 3. Inhalt und Grafiken          | 13. Gebrauchsanweisung                               |
| 4. Betriebsrichtlinien          | 14. Wartung                                          |
| 5. Hinweise für den Verbraucher | 15. Hilfreiche Hinweise                              |
| 6. Hinweise für den Monteur     | 16. Fehlerbehebung                                   |
| 7. Anwendung                    | 17. Einwinterung                                     |
| 8. Warnhinweise                 | 18. Patente und Handelsmarken                        |
| 9. Stückliste                   | 19. Garantieerklärung                                |
| 10. Optionales Zubehör          | 20. EU-Konformitätserklärung, Normen und Zulassungen |

#### Grafiken

- Abb. 1a Standardmontage bei Verwendung der Gulper® IC als eine Grauwasserpumpe mit hoher Kapazität mit dem Gulley IC
- Abb. 1b Standardmontage bei Verwendung der Gulper® IC als eine Grauwasserpumpe mit hoher Kapazität mit dem Two Way Manifold IC
- Abb. 2 Standardmontage bei Verwendung der Gulper® IC als eine Grauwasserpumpe mit hoher Kapazität – mit einem konventionellen Schalter / Zubehör welches nicht aus der Whale® IC- Reihe stammt angewendet
- Abb. 3 Ausrichtung der Pumpe
- Abb. 4 Gulper IC -Montage
- Abb. 5 Bringen Sie die P-Klemme an
- Abb. 6a Verkabelung der Gulper® mit Whale® IC-Zubehör
- Abb. 6b Verkabelung der Gulper® IC mit konventionellem Schalter – Zubehör, welches nicht von Whale® stammt
- Abb. 7 Anschließen des Schalterkabels
- Abb. 8a Verbinden Sie die Deutsch®-Stecker
- Abb. 8b Verbinden Sie den Adapter mit einen Doppelflachstecker
- Abb. 9 Sichern der Schläuche

### 4. BETRIEBSRICHTLINIEN

#### IC – Intelligente Steuerungstechnik [Intelligent Control Technology]

Im Herzen eines jeden IC-Produktes von Whale® befindet sich eine eingebaute, innovative elektronische Steuereinheit. Mittels dieser können Nebenaggregate des IC-Sensors direkt mit den IC-Pumpen kommunizieren, um deren Leistung zu steuern. Diese Nebenaggregate senden an integrierte, intelligente Software Signale aus, die daraufhin die Pumpe je nach Bedarf steuern.

#### Gulper® IC

Die vollautomatische selbstansaugende Gulper® IC ist designt um Abwasser von einer Duschwanne / einem Pantry-Spülbecken zu pumpen (entweder über Bord oder zu einem Haltetank). Die Pumpkapazität hängt von der Montage und den Betriebsbedingungen ab.

#### GRAUWASSER-ANLAGE – MIT WHALE® IC-ZUBEHÖR

Wenn die Gulper® IC als eine Abwasserpumpe mit Whale® Abwasser-Zubehör montiert ist sendet der Gulley IC oder der Two Way Manifold IC nur dann elektrische Signale, wenn Abwasser hinausgepumpt werden muss. (siehe Abb.1a und 1b)

#### MIT ZUBEHÖR, WELCHES NICHT VON WHALE® STAMMT

Die Gulper® kann auch als eine Abwasserpumpe in Verbindung mit Zubehör verwendet werden, welches nicht von Whale stammt. Dies ermöglicht es dem Monteur eine schwachstromkontrollierte Schaltung anzubringen, welche dem Durchbrennen durch hohen Strom vorbeugt. (siehe Abb.2)

## 5. HINWEISE FÜR DEN VERBRAUCHER

Bitte lesen Sie die folgenden Informationen sorgfältig durch, bevor Sie das Gerät montieren.

## 6. HINWEISE FÜR DEN MONTEUR

Vergewissern Sie sich, dass das Produkt für den vorgesehenen Einsatz geeignet ist. Befolgen Sie diese Montageanleitung und veranlassen Sie, dass alle notwendigen Mitarbeiter die unten aufgeführten Punkte durchlesen. Stellen Sie des Weiteren sicher, dass der Endverbraucher diese Betriebsanleitung erhält.

## 7. ANWENDUNG

Die Gulper® ist ausschließlich für den Einbau in Freizeitwasserfahrzeuge geeignet und zum Betrieb mit einer 12 oder 24V Gleichstrom Stromversorgung. Wenn die Pumpe zu einem anderen Zweck oder mit einer anderen Flüssigkeit verwendet werden soll, obliegt es dem Verantwortungsbereich des Verbrauchers, sicherzustellen, dass die Pumpe für die geplante Verwendung geeignet ist und insbesondere, dass die Materialien mit der verwendeten Flüssigkeit vollständig kompatibel sind. Die Whale® Gulper® IC-Pumpe wird **NICHT** für die Verwendung im Haushalt empfohlen.

## 8. WARNHINWEISE

1. Diese Pumpe darf nicht unterhalb des Wasserspiegels montiert werden, wenn sie mit einem Ein- oder Auslass verbunden ist. es sei denn das System hat eine Entlüftungsbogen (siehe Abb.1).
2. Nicht geeignet zum Pumpen von brennbaren Flüssigkeiten, Diesel, Chemikalien, usw.
3. Diese Pumpe ist nicht für die Schadenskontrolle bestimmt.
4. Bei allen Anlagen ist es wichtig, dass sichere Arbeitsausführung angewendet wird bei Montage, Gebrauch und Wartung. Stellen Sie sicher, dass die Stromversorgung vor der Montage ausgeschaltet und das Abwassersystem entwässert ist. Um die Anlage sicher zu befestigen, stellen Sie sicher, dass die Montageunterlage eine Dicke von mindestens 19mm hat (bei Befestigung mit den mitgelieferten Schrauben).
5. **WARNUNG:** Schrauben Sie den hinteren Teil **NICHT** ab. Das Eingreifen in die eingebaute Elektronik kann die Pumpe zerstören!. Dieser Bereich der Pumpe kann nicht gewartet werden.
6. **Anmerkung:** Schrauben Sie nicht direkt bis zum Rumpf - das Gerät muss an einem Schott oder an einem zusätzlichen Brett befestigt werden. Der Auslass darf nicht unterhalb des Wasserpegels woutiert werden
7. **WARNUNG:** Brandgefahr. Die Verkabelung muss die geltenden elektrischen. Normen erfüllen und eine ordnungsgemäß große Sicherung oder einen Leistungsschutzschalter enthalten. Eine unsachgemäße Verkabelung kann dazu führen, dass ein Brand verursacht wird, der Verletzungen oder den Tod zur Folge hat. Schalten Sie die Stromversorgung ab, bevor Sie Kabel verbinden. Empfehlungen zur Verkabelung dienen lediglich als Orientierungshilfe.



Umfassende Angaben entnehmen Sie bitte den Verordnungen der USCG und des ABYC sowie den ISO-Normen hinsichtlich der Marineanwendungen, Kabeldicke, Stecker und Sicherungen.

## 9. STÜCKLISTE

Menge 1 - Gulper IC-Pumpe

Menge 3 - No.8 Bohrschrauben und Unterlegscheiben

Menge 1 - Inline-Sicherungsvorrichtung

Menge 1 - Gulley IC oder Two Way Manifold IC (nicht mit BP2082 oder BP2084 enthalten)

## 10. OPTIONALES ZUBEHÖR

AK2050 - Wartungssery - Ersatzkopf für alle Gulper® Pumpen

AK2081 - Konventioneller Deutsch® zu einem Doppelflachstecker

AK2086B - Deutsch-Stecker-Verlängerungskabel 6m

## 11. INSTALLATION

**ANMERKUNG:** Fehlerhafte Montage setzt die Garantie außer Kraft  
Vorbereitung – Schalten Sie vor dem Installieren immer die Stromquellen aus.

### 11.i Standort

- Wählen Sie einen trockenen Standort um die Pumpe zu montieren, der von stehendem Wasser entfernt und frei von Hindernissen ist.
- Montieren Sie die Pumpe an einem Ort mit einer möglichst kurzen Schlauchstrecke.

### 11.ii Montage

- Die Gulper IC kann auf einer horizontalen oder vertikalen Unterlage montiert werden.
- Wenn sie vertikal montiert ist, stellen Sie sicher, dass der Pumpenkopf so tief wie möglich liegt.

**ANMERKUNG** – Es wird empfohlen, dass der Auslass über dem Wasserpegel montiert wird und dass gegebenenfalls Antisiphon-Schleifen angebracht werden – siehe Standardmontage (Abb.1-2)

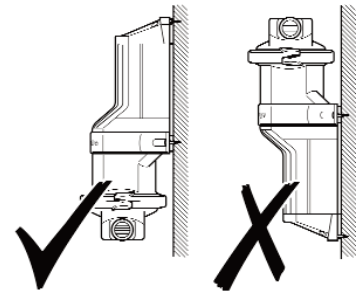


Abb 3 - Ausrichtung der Pumpe

- Finden Sie beim Montieren der Pumpe auf der Montagefläche den besten Winkel für den Schlauch (um die Bildung von Knicken zu verhindern) und verwenden Sie die Pumpenfüße um die drei Stellen für die Löcher zu markieren.

**ANMERKUNG:** Der Pumpenkopf kann gedreht werden um ihn an die Schlauchverbindungen anzupassen. Lockern Sie die Schraube, richten Sie den Pumpenkopf aus und stellen Sie sicher, dass die Membran an Ort bleibt. Bringen Sie den Pumpenkopf wieder in die erforderliche Position (Abb 4) und ziehen Sie die Schraube an.

- Bohren Sie Vorbohrlöcher von 3.2mm.

**ANMERKUNG:** Bohren Sie nicht durch den Schiffsrumpf. Stellen Sie sicher, dass die Pumpe auf ein zusätzliches Brett oder auf ein Schott montiert wird.

- Verwenden Sie die drei Nr.8 Bohrschrauben und Unterlegscheiben (im Lieferumfang enthalten) um die Pumpe zu befestigen
- Verwenden Sie einen 19mm oder 25mm weiten, glatten, verstärkten Schlauch für den Anschluss an die Pumpe und sichern Sie den Schlauch mit Schlauchschellen

**ANMERKUNG:** Bei Verwendung von Widerhakenanschlüssen ist es nicht nötig die Ein- oder Auslässe zuzuschneiden.

**ANMERKUNG:** Stellen Sie sicher, dass die Anschlüsse fest sind, aber ziehen Sie die Klemmringe / Schrauben / Schlauchschellen nicht zu fest an.

Abb. 4 Gulper IC - Montage

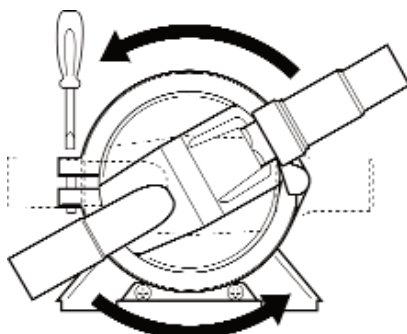
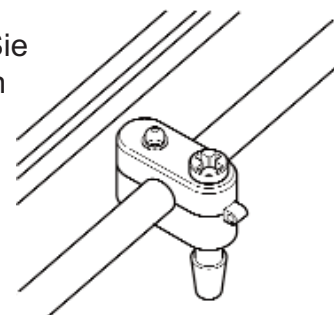


Abb. 5 Bringen Sie die P-Klemme an



- Schrauben Sie die P-Klemme an ein Schott und stellen Sie sicher, dass sie ungefähr 100mm vom hinteren Gehäuse entfernt ist (Abb.5).

**ANMERKUNG:** Um das Gerät sicher zu befestigen, stellen Sie sicher, dass die Unterlage auf die die P-Klemme montiert wird, mindestens 19mm dick ist.

### 11.iii Elektrische Verkabelung

- Für die Montage mit Whale® IC-Zubehör, verwenden Sie die beiliegenden vorverkabelten Deutsch®-Stecker
- Für die Montage an Systeme, welche nicht von Whale® stammen – verwenden Sie einen separat erhältlichen Flachstecker-Adapter AK2081.
- Wenn Sie nicht mit den geltenden elektrischen Normen vertraut sind, stellen Sie sicher, dass das Gerät von einem qualifizierten Elektriker/Techniker installiert wird.

**WARNUNG:** Brandgefahr. Die Verkabelung muss die geltenden elektrischen Normen erfüllen und eine ordnungsgemäß eingesetzte Sicherung oder einen Leistungsschutzschalter haben. Eine unsachgemäße Verkabelung kann einen Brand verursachen der zu Verletzungen oder zum Tode führen kann.

Empfehlungen zur Verkabelung dienen lediglich als Orientierungshilfe. Umfassende Angaben entnehmen Sie bitte den Verordnungen der USCG und des ABYC sowie den ISO-Normen hinsichtlich der Marineanwendungen, Kabeldicke, Stecker und Sicherungen.

### SCHLIESSEN SIE DIE STROMKABEL AN

Die Polarität der Kabel ist durch ihre Farbe angegeben (positiv – rot, negativ – schwarz). Der weiße kann zum Anschluss einer Kontrollleuchte oder eines manuellen Überbrückungsschalters genutzt werden.

**ANMERKUNG:** Die Pumpe ist gegen Verpolung geschützt (die Inline-Sicherung wird durchbrennen)

**ANMERKUNG:** Zu dünne Stromkabel vor der Pumpe reduzieren die Spannung wenn die Pumpe im Lastbetrieb ist, was eine schwache Leistung der Pumpe und mögliche Motorenausfälle zur Folge hat.

- Stellen Sie sicher, dass alle installierten Stromkabel eine Kabelstärke von mindestens 1.5mm<sup>2</sup> (16AWG) aufweisen.
- Um die Pumpe zu steuern muss ein Hauptschalter zwischen dem Pluspol der Batterie und dem positiven Kabel der Pumpe angebracht werden. (siehe Sektion 11 v)

**WARNUNG:** Stellen Sie sicher, dass sich aus dem elektrischen Kabel keine Schlaufen bilden, welche Stolperfallen darstellen könnten.

### 11.iv Anbringen der Sicherung

Sicherungswert für BP2082B (12 V Gleichstrom) Pumpen 10 Amp., wie verwendet in der Automobilindustrie. Sicherungswert für BP2084B (24 V Gleichstrom) Pumpen 5 Amp., wie verwendet in der Automobilindustrie

Die mitgelieferte Inline-Sicherungsrichtung muss an der positiven Seite der Pumpe angebracht werden (siehe Abb.6a oder b).

**ZWECK DER SICHERUNG:** Der Zweck dieser Sicherung ist es, die Pumpe im Falle einer Systemblockierung vor gravierenden Schäden zu schützen. Stellen Sie daher bitte sicher, dass alle Ventile komplett geöffnet sind vor dem Betrieb der Pumpe.

Wenn die Sicherung durchbrennt:

- a) Überprüfen Sie, dass alle Ventile/Absperrhähnen des Systems geöffnet sind
- b) Überprüfen Sie, dass die Ein- und Auslassöffnungen nicht blockiert sind
- c) Überprüfen Sie, dass der Rest des Systems nicht blockiert ist
- d) Überprüfen Sie auf Verpolung



## 11.v Schaltbilder:

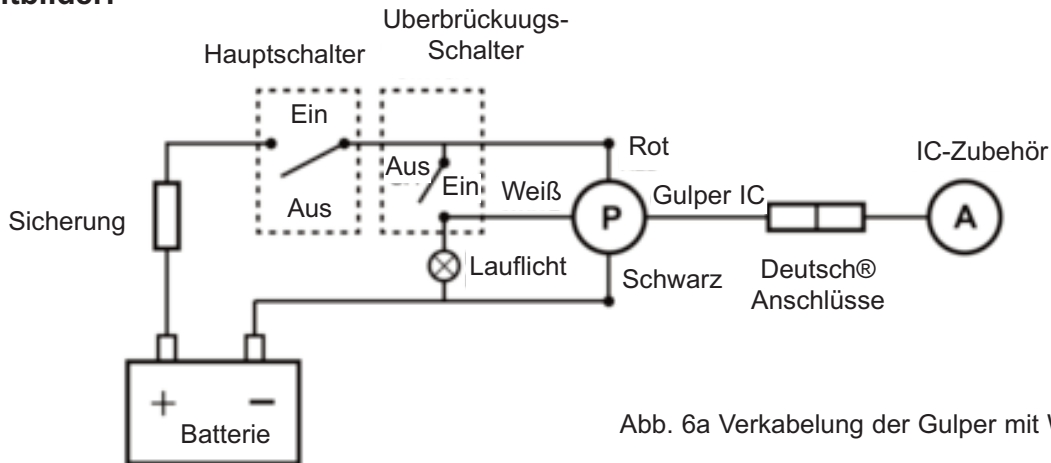


Abb. 6a Verkabelung der Gulper mit Whale® IC-Zubehör

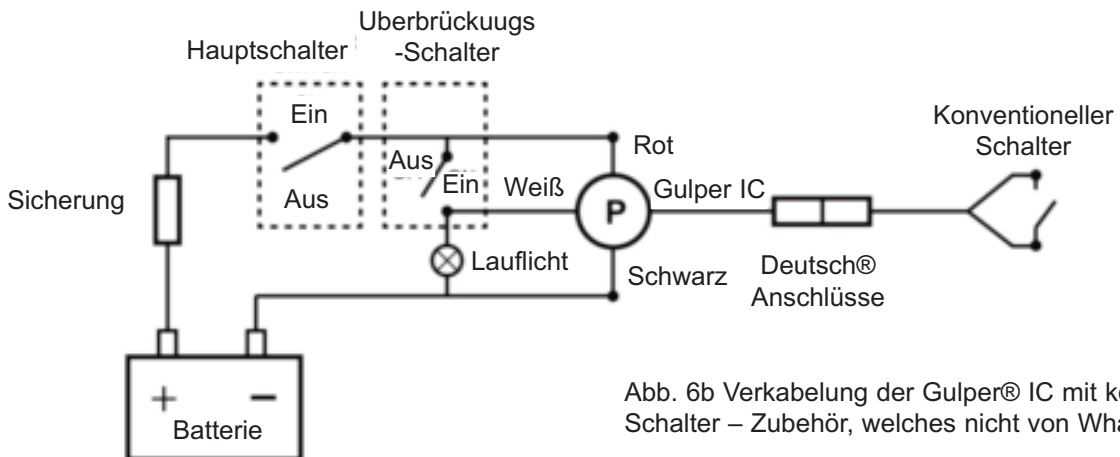


Abb. 6b Verkabelung der Gulper® IC mit konventionellem Schalter – Zubehör, welches nicht von Whale® stammt

## 11.vi Anschließen des Schalterkabels

Wenn das Schalterkabel beim Anbringen durch ein Schott hindurchgezogen werden muss, stellen Sie sicher, dass ein Loch mit mindestens 25mm Durchmesser gebohrt wird.

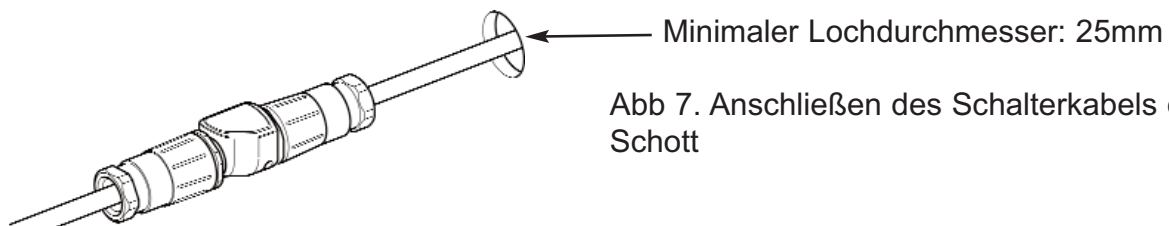


Abb 7. Anschließen des Schalterkabels durch ein Schott

## 11.vii ANSCHLIESSEN DER GULPER® IC AN WHALE® IC-ZUBEHÖR – GRAUWASSER- UND BILGE-ANLAGEN (siehe Abb. 1-2)

Verbinden Sie die vorverkabelten Deutsch-Stecker auf der Gulper® IC und dem Whale-Zubehör miteinander (siehe Abb 8a)

## 11.viii MONTAGE FÜR DIE GULPER® IC MIT KONVENTIONELLEN SCHALTERN ODER ZUBEHÖR, WELCHES NICHT VON WHALE® STAMMT (siehe Abb. 2)

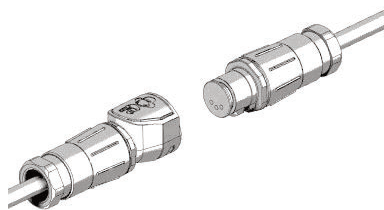


Abb 8a Verbinden Sie die Deutsch®-Stecker

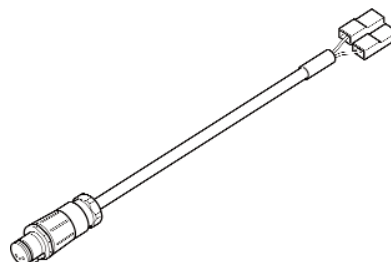
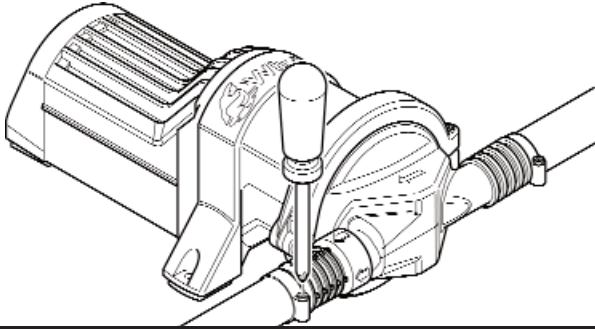


Abb 8b Verbinden Sie den Adapter mit einen Doppelflachstecker

Verwenden Sie den Adapter AK2081 (separat erhältlich) Deutsch®-Stecker zu einem konventionellen Doppelflachstecker-Kabel für den Anschluss an einen fernmontierten Handschalter /Schwimmerschalter oder Ablaufschalter, der nicht von Whale® IC stammt.

## 12. VERROHRUNG



Verwenden glatte, verstärkte Schläuche mit 19 oder 25mm Durchmesser für die Verbindung zur Pumpe. Sichern Sie die Schläuche am Ein- und am Auslass mit einer Schlauchschelle.

Abb.9 Sichern Sie die Schläuche

## 13. GEBRAUCHSANWEISUNG

Vergewissern Sie sich, dass die Pumpe vor dem ersten Gebrauch gründlich geprüft wurde.

**ANMERKUNG** – Dies sind alles automatische oder halb-automatische Anlagen – stellen Sie sicher, dass der Isolator-Schalter angeschaltet ist. **Lassen Sie das Wasserfahrzeug nicht unbeaufsichtigt wenn das elektrische System unter Spannung steht, außer bei einer Bilge-Anlage.**

**Gulper® IC mit Gulley IC** - Schalten Sie die Dusche um Grauwasser durch die Gulley IC zu leiten und überprüfen Sie, dass die Pumpe läuft (1 Sekunde Einschaltverzögerung). **ANMERKUNG:** Die Pumpe sollte 9 Sekunden nach dem Abschalten aufhören zu laufen.

**Gulper® IC mit Two Way Manifold IC** - Schalten Sie die Dusche und/oder das Spülbecken ein um Grauwasser durch die Two Way Manifold IC zu leiten und überprüfen Sie, dass die Pumpe läuft (1 Sekunde Einschaltverzögerung). **ANMERKUNG:** Die Pumpe sollte 9 Sekunden nach dem Abschalten aufhören zu laufen.

**Gulper® IC – verwendet mit Zubehör, welches nicht von Whale® stammt** – Aktivieren Sie den Schalter um zu prüfen, dass die Pumpe läuft (1 Sekunde Einschaltverzögerung).

**ANMERKUNG:** Die Pumpe sollte 9 Sekunden nach dem Abschalten aufhören zu laufen.

## 14. WARTUNG

Die "Whale® Gulper IC" ist für minimale Wartungsarbeiten ausgelegt. **WARNUNG:** Schalten Sie die Pumpe vor der Wartung aus und entwässern Sie das System

### Für eine optimale Leistung

- Stellen Sie sicher, dass sich in diesem Produkt keine Ablagerungen befinden.

### Jährliche Überprüfungen

- Whale® empfiehlt eine jährliche Überprüfung der Schläuche im Wasserfahrzeug auf undichte Stellen und Verstopfungen. Eine Überprüfung der sich in der Pumpe befindenden Elektronik ist ebenfalls empfehlenswert.
- Trenne Sie die Stromversorgung bevor Sie die Membran überprüfen oder ersetzen.

### WENN DIE PUMPE NICHT LÄUFT WIE ERWARTET:-

- Lockern Sie die Schlauchschellen um die Pumpe von den Schläuchen zu lösen.
- Schrauben Sie den Ezi-Clamp-Klemmring auf um den Pumpenkopf zu lösen. Dies löst den Pumpenkopf und ermöglicht einfachen Zugang zu den Ventilen und der Membran.
- Die Membran und die Ventile sollten auf übermäßige Abnutzung, Schäden oder Risse überprüft, und wenn nötig ersetzt werden

**Reinigung** - Die Gulper IC sollte regelmäßig gereinigt werden um eine optimale Leistung zu erzielen und Verstopfungen zu verhindern. **WARNUNG:** Benutzen Sie keine scheuernden Reinigungsmittel.

## 15. HILFREICHE HINWEISE

Der einzigartige Ezi-Klemmring macht die Montage und die Wartung der Pumpe einfacher mit nur einer Befestigungsschraube. Dies bedeutet, dass der Pumpenkopf von einem Monteur einfach angebracht oder ersetzt werden kann ohne das Risiko, dass Schrauben herunterfallen.

## 16. FEHLERBEHEBUNG

PROBLEM	MÖGLICHE GRÜNDE	MÖGLICHE LÖSUNG
Durchgebrannte Sicherung oder loser elektrischer Anschluss	Die Hauptstromzufuhr (Isolator-Schalter) ist ausgeschaltet / funktioniert nicht. Loser Kabelanschluss	Überprüfen Sie, dass der Isolator-Schalter eingeschaltet ist
	Der Pumpenkreislauf hat keinen Strom	Überprüfen Sie die elektrischen Anschlüsse um sicherzustellen, dass die Pumpe Strom bekommt und frei von Rost ist. Überprüfen Sie, dass eine Batteriespannung von 12/24 Volt vorhanden ist
	Durchgebrannte Sicherung oder loser elektrischer Anschluss	Überprüfen Sie die Inline-Sicherung und stellen Sie sicher, dass alle elektrischen Anschlüsse fest und frei von Rost sind. Wenn die Sicherung durchgebrannt ist, überprüfen Sie auf Verpolung, geschlossene Ventile und Absperrhähne, sowie auf Ablagerungen im Pumpenkopf und säubern Sie ihn wenn nötig. (siehe Sektion 11). Ersetzen Sie die Sicherung und lassen Sie die Pumpe laufen
Versagen beim Ansaugen – Der Motor läuft, aber es kommt kein Wasser heraus	Der Spülbeckenablauf / Dusch ist verstopft	Der Dusch-/Spülbeckenablauf ist verstopft
	Ablagerungen unter den Klappventilen / Klappventile sitzen nicht richtig	Schalten Sie den Strom aus und nehmen Sie die Schläuche ab. Überprüfen Sie die Ventile auf Blockaden und entfernen Sie Ablagerungen
	Luftleck in der Ansaugleitung	Überprüfen Sie, dass die Schlauchanschlüsse luftdicht sind. Öffnen Sie den Pumpenkopf und überprüfen Sie die Ventile und die Membran
	Loch in der Pumpenmembran	Ersetzen Sie das beschädigte Teil. Verwenden Sie hierfür das Serviceset – Teil Nummer AK2050 (siehe Sektion 14)
	Eingeschränkte Ansaug- oder Abflussleitung	Überprüfen Sie, dass alle Schlauchanschlüsse luftdicht und frei von Blockaden sind und dass der Schlauch nicht zusammengefallen/geknickt ist
Die Pumpe schaltet sich nicht aus wie vorgesehen	Das Grauwasser IC-Zubehör oder der konventionelle Schalter funktioniert nicht	Überprüfen Sie, dass das IC-Zubehör oder der konventionelle Schalter richtig läuft (siehe Sektion 13). Wenn nicht, ersetzen Sie das Teil (siehe Spezifikationstabelle)
	Fehlerhafter Grauwasser-Schwimmerschalter / Ablagerungen auf dem Grauwasser-Schwimmerschalter	Entfernen Sie die Ablagerungen / ersetzen Sie den Schwimmerschalter
	Ungenügende Spannung zur Pumpe	Überprüfen Sie die Stromversorgung zur Pumpe
Schwacher Durchfluss	Luftleck beim Pumpeneinlass	Überprüfen Sie ob die Schlauchanschlüsse luftdicht sind
	Ablagerungen in der Pumpe und/oder den Schläuchen	Schalten Sie den Strom aus und nehmen Sie die Schläuche ab. Überprüfen Sie auf Blockaden und entfernen Sie diese (siehe Sektion 14)
	Loch in der Pumpenmembran	Ersetzen Sie das beschädigte Teil. Verwenden Sie hierfür das Serviceset – Teil Nummer AK2050 (siehe Sektion 14)
	Defekte elektronische Steuerung	Ersetzen Sie die Pumpe. Wenn sich dies innerhalb der Garantiefrist ereignet, kontaktieren Sie Whale (für Details, siehe unten)

**WARNUNG:** Schrauben Sie den hinteren Teil **NICHT** ab. Das Eingreifen in die eingebaute Elektronik kann die Pumpe zerstören!

## 17. EINWINTERUNG

**ANMERKUNG:** Bei der Einwinterung – Entwässern Sie das System komplett  
Whale® kann keine Garantie gewährleisten, wenn das System bei der Einwinterung nicht komplett entwässert wurde.

## 18. PATENTE UND HANDELSMARKEN

Whale® ist eine registrierte Handelsmarke von Munster Simms Engineering Limited. Whale®  
Gulper® IC-Produkte sind durch die folgenden Patente geschützt:- P92580GB00  
P92043GB00

DEUTSCH® ist ein registrierter Handelsname von Deutsch Group Santoprene® ist ein registrierter  
Handelsname von Advanced Elastomer Systems, LP, eine Tochtergesellschaft von Exxonmobil  
Chemical. Delrin®, Teflon® und Neoprene sind registrierte Handelsnamen von Dupont Neumeurs  
and Co. Monprene® ist ein registrierter Handelsname von Technore Apex.

## 19. GARANTIEERKLÄRUNG

Auf dieses Whale ®-Produkt besteht eine 3-jährige Garantieleistung - Bitte lesen Sie sich für  
nähere Informationen unsere beigefügte Garantieerklärung durch.

Für Beratungen bezüglich Montage oder Kundendienst, steht Ihnen die Kundenbetreuung von  
Whale® zur Verfügung

UK Tel: +44 (0)28 9127 0531

USA Tel: 1 616 897 9241

UK Email: info@whalepumps.com

USA Email: usasales@whalepumps.com

## 20. EU-KONFORMITÄTSERKLÄRUNG, NORMEN UND ZULASSUNGEN

Dieses Produkt entspricht allen maßgeblichen europäischen Richtlinien und Normen. Für weitere  
Angaben wenden Sie sich bitte an Whale®.

### Herstellererklärung

Hiermit erklären wir unter unserer alleinigen Verantwortung, dass die beigefügten Betriebsmittel  
den Bestimmungen der nachfolgenden EG-Richtlinien entsprechen.

Richtlinie 89/336/EWG zur Elektromagnetischen Verträglichkeit, geändert durch 92/31/EWG und  
93/68/EWG zur Angleichung der Gesetze der Mitgliedsstaaten zur elektromagnetischen  
Verträglichkeit.

Richtlinie 73/23/EWG, geändert durch 93/68/EWG, zur Angleichung der Rechtsvorschriften der  
Mitgliedstaaten betreffend elektrische Betriebsmittel zur Verwendung innerhalb bestimmte  
Spannungsgrenzen

**CE-Zeichen angebracht:** 19.04.10

### Grundlage der Konformitätserklärung

Die obenstehenden Betriebsmittel entsprechen den Schutzanforderungen der AMV-Richtlinie und  
den wichtigsten Aspekten der Sicherheitsziele der Niederspannungsrichtlinie.

## **Angewandte Normen**

EN60335 - 1:2002	Sicherheit: Haushalts- und ähnliche Elektrogeräte
EN60335 - 2:41:2003	Besondere Anforderungen für Pumpen
EN55014 - 1:2000	Elektromagnetische Verträglichkeit. Anforderungen für Haushaltsgeräte, Elektrowerkzeuge und ähnliche Geräte. Strahlung
EN55014 - 2:1997	Elektromagnetische Verträglichkeit. Anforderungen für Haushaltsgeräte, Elektrowerkzeuge und ähnliche Geräte. Festigkeit. Produktfamiliennorm

Unterzeichnet:

Datum. 31.05.10

Richard Bovill  
Technischer Direktor

©Copyright Whale 2019 - Alle Rechte vorbehalten. Diese Erklärung darf ohne Genehmigung weder ganz noch teilweise vervielfältigt werden. Whale® ist ein eingetragenes Warenzeichen von Munster Simms Engineering Ltd, in Bangor, Nordirland. Das Unternehmen handelt auch unter dem Namen Whale®. Whale verfolgt eine Politik der ständigen Verbesserung und wir behalten uns das Recht vor, Spezifikationen ohne vorherige Benachrichtigung zu ändern. Abbildungen dienen nur zur Orientierung.

Weder die Richtigkeit noch die Vollständigkeit der in dieser oder einer Produktliteratur enthaltenen Informationen werden vom Unternehmen garantiert und können nach eigenem Ermessen geändert werden.

# MANUALE DI INSTALLAZIONE E D'USO

## Gamma di pompe per acque grigie Whale® Gulper IC

IT

Numéro de modèle	Description
BP2082B	Gamma di pompe per acque grigie Whale® Gulper IC - 12 V d.c.
BP2084B	Gamma di pompe per acque grigie Whale® Gulper IC - 24 V d.c.
SG8284	Kit per scarichi grigi con Gulley IC - 12 V d.c.
SG8484	Kit per scarichi grigi con Gulley IC - 24 V d.c.
WM8284	Kit per scarichi grigi con Two Way Manifold IC - 12 V d.c.
WM8484	Kit per scarichi grigi con Two Way Manifold IC - 24 V d.c.

### ISTRUZIONI PER L'INSTALLAZIONE E L'UTENTE

Grazie per aver acquistato questo prodotto Whale®. Da oltre 70 anni, Whale® è leader nella progettazione e nella costruzione di sistemi per acqua pulita e di scarico che comprendono: pompe, impianti idraulici, rubinetti e docce per applicazioni a bassa tensione. L'azienda, grazie ai suoi prodotti, si è costruita un'ottima reputazione per la qualità, l'affidabilità e le soluzioni innovative, nonché per l'eccellente servizio di assistenza. Per informazioni sull'intera gamma dei nostri prodotti, visitate il sito [www.whalepumps.com](http://www.whalepumps.com)

#### 1. INSTALLAZIONE TIPICA

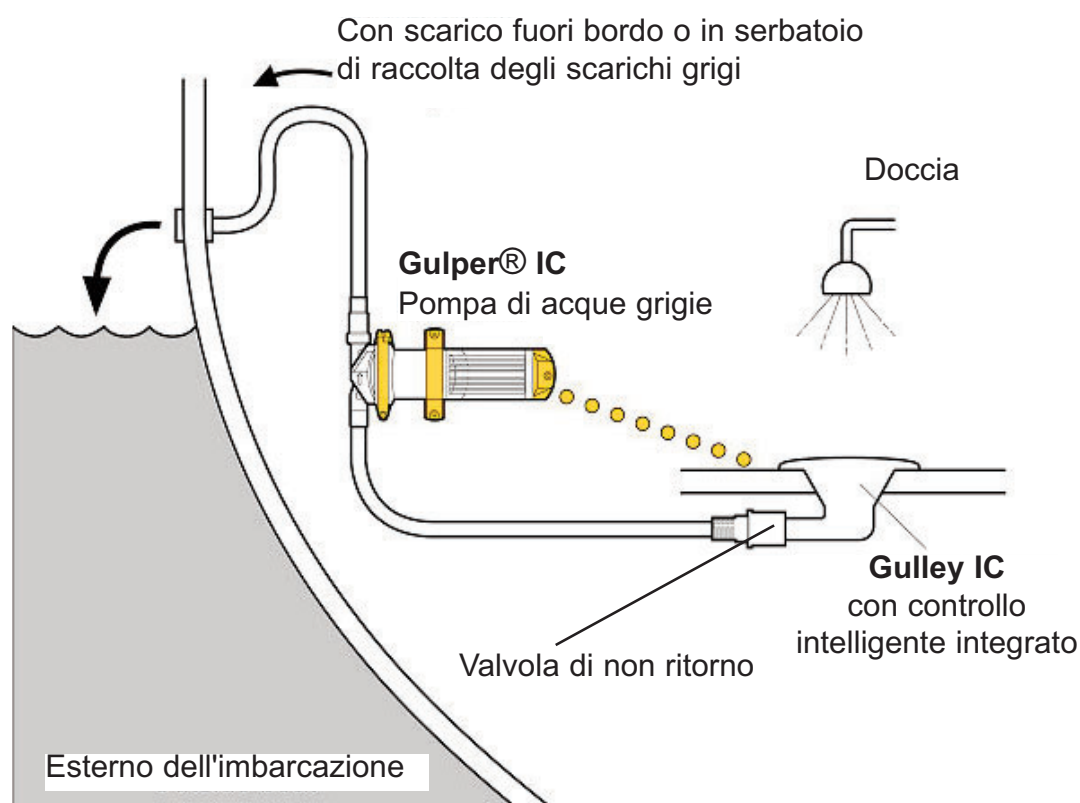
Questa Gulper® IC è una pompa di scarico ad alta capacità con elettronica di controllo intelligente al suo interno destinata all'installazione in imbarcazioni da diporto come pompa ad alta capacità per scarichi grigi

Esistono 2 opzioni di installazione:

Opzione 1- Gulper® IC - Pompa per scarichi grigi con accessori per scarichi grigi Whale® IC (disponibili separatamente).

Vedere Fig 1a per l'accessorio Gulley IC e Fig 1b per l'accessorio Collettore IC a 2 vie.

Fig. 1a Installazione tipica della Gulper® IC utilizzata come pompa ad alta capacità per scarichi grigi con Gulley IC



Con scarico fuori bordo o in serbatoio di raccolta degli scarichi grigi

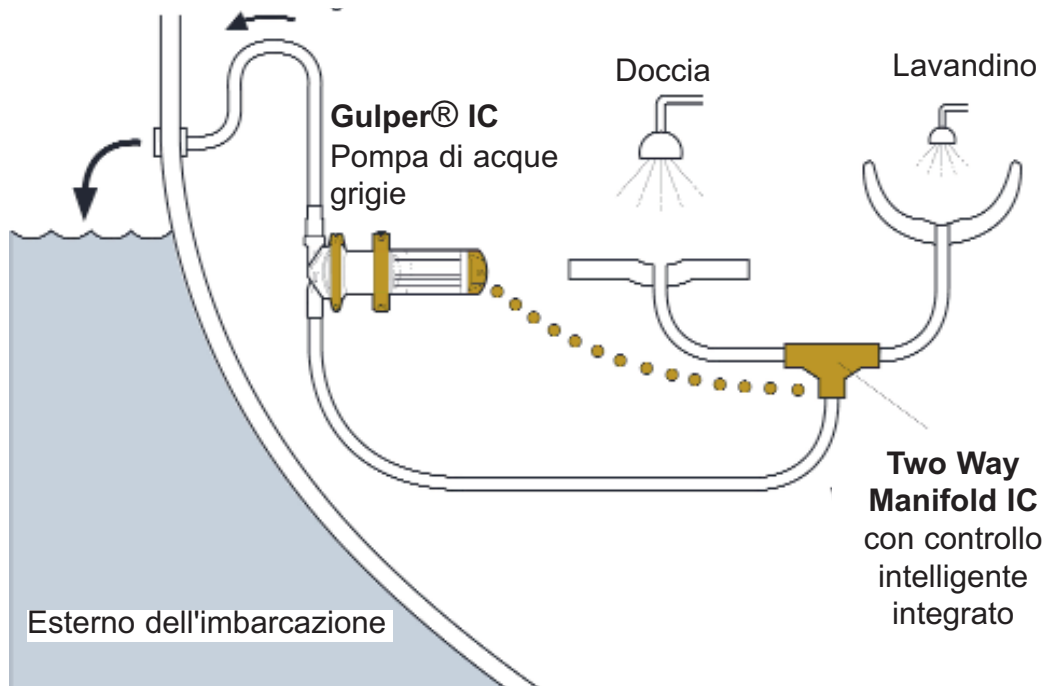


Fig. 1b Installazione tipica della Gulper® IC utilizzata come pompa ad alta capacità per scarichi grigi con Two Way Manifold IC

Opzione 2 - Pompa per scarichi grigi Gulper® IC con accessori per scarichi grigi non a marchio Whale®

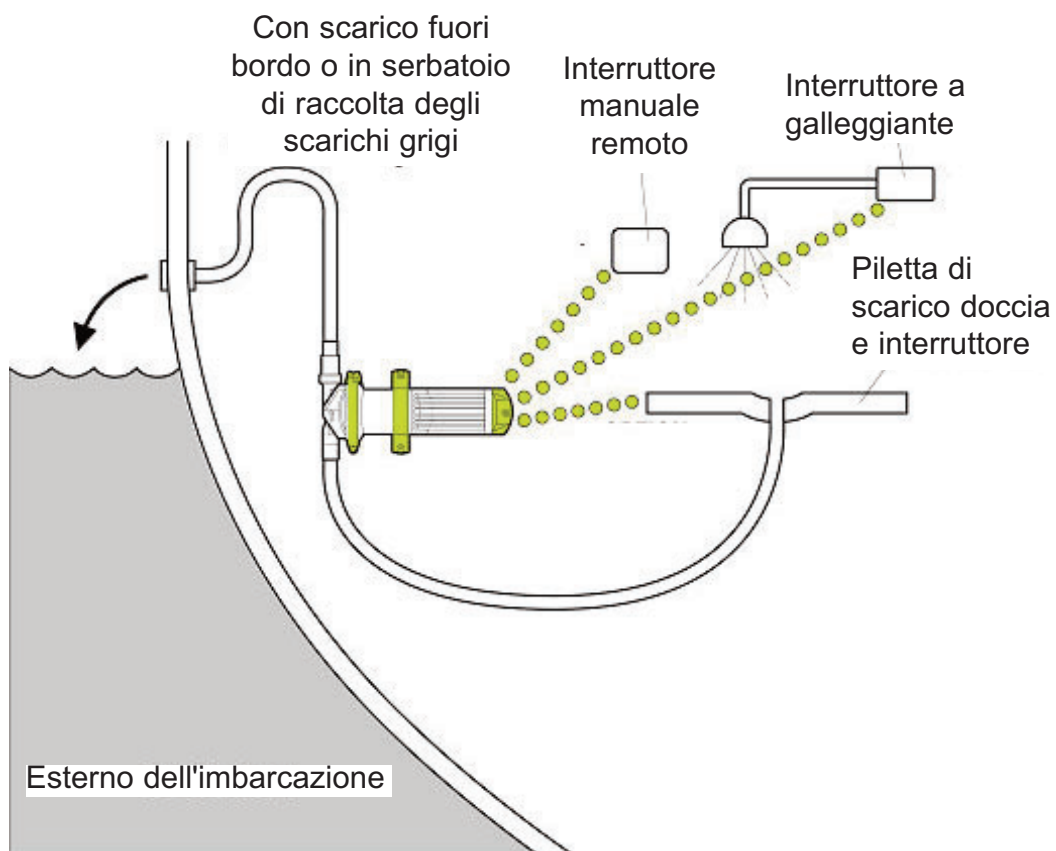


Fig. 2 - Installazione tipica della Gulper® IC utilizzata come pompa ad alta capacità per scarichi grigi - utilizzata con un interruttore tradizionale / accessori non a marchio Whale® IC

## 2. SPECIFICHE TECNICHE

Modello	Gulper® IC / Gulper IC Kits					
Codice prodotto	BP2082B	SG8284	WM8284	BP2084B	SG8484	WM8484
Tensione	12 V			24 V		
Gamma di tensione	Da 10 V a 13.6 V			Da 21.6 V a 27.2 V		
Collegamenti tubo	Attacchi portagomma - 19 mm o 25 mm					
Dimensione raccomandata del fusibile	10 Amp			5 Amp		
Dimensioni minime filo	1.5mm <sup>2</sup> (16 AWG)					
Peso	1.6 kg	2.6 kg	2.6 kg	1.6 kg	2.6 kg	2.6 kg
Materiali	<b>Testa della pompa</b> - Nylon caricato. <b>Valvole e Diaframma</b> - Santoprene®, <b>Corpo della pompa</b> - Alluminio. <b>Girante</b> - Delrin. <b>Fissaggi:</b> Acciaio inossidabile					
Kit di assistenza	AK2050 - Testa della pompa Gulper® di ricambio					
Accessori (Disponibili separatamente solo per BP2082B e BP2084B)	SG3482B - Piccolo Gulley IC - cavo da 2 m SG3484B - Piccolo Gulley IC - cavo da 4 m SG1982B - Grande Gulley IC - cavo da 2 m SG1984B - Grande Gulley IC - cavo da 4 m WM1982B - Two Way Manifold - cavo da 2 m e foro da 19 mm WM1984B - Two Way Manifold - cavo da 4 m e foro da 19 mm WM2582B - Two Way Manifold - cavo da 2 m e foro da 25 mm WM2584B - Two Way Manifold - cavo da 4 m e foro da 25 mm WM3882B - Two Way Manifold - cavo da 2 m e foro da 38 mm WM3884B - Two Way Manifold - cavo da 4 m e foro da 38 mm					
Connettori	Connettori Deutsch: serie Attacco rapido a 7 vie AK2081 - Adattatore da connettore Deutsch® tradizionale a connettore a forcella AK2086B - Cavo di prolunga con connettore Deutsch da 6 m					
Altezza massima di aspirazione (Verticale)	3m					
Prevalenza massima di scarico (verticale)	3m					
Valore massimo combinato di prevalenza di scarico e altezza di aspirazione (presa d'aria verticale)	4m					
Ritardi nei tempi di funzionamento	Di ritardo in accensione/ Di ritardo nello spegnimento					
Profilo corrente	Avviamento progressivo / Spegnimento progressivo					

### DATI DI PERFORMANCE

Altezza di aspirazione	0m	0m	1m	1m
Prevalenza di scarico	1m	1m	1m	1m
Diametro del tubo	19mm	25mm	19mm	25mm
Portata per minuto	19 ltrs	17.5 ltrs	17.5 ltrs	15.5 ltrs
Portata per ora	1140 ltrs	1050 ltrs	1038 ltrs	930 Ltrs
Assorbimento di corrente (12 V d.c.)	7.5 amps	8 amps	7.5 amps	8 amps
Assorbimento di corrente (24 V d.c.)	3.25 amps	4 amps	3.25 amps	4 amps



**Nota** - La portata di uscita dipende dall'installazione e dalle condizioni di funzionamento. La politica di Whale® è tesa al miglioramento continuo e ci riserviamo il diritto di modificare le caratteristiche tecniche senza preavviso.

### 3. CONTENUTO E ELENCO DEGLI SCHEMI

- |     |                           |     |                                   |
|-----|---------------------------|-----|-----------------------------------|
| 1.  | INSTALLAZIONE TIPICA      | 12. | ALLACCIAMENTI IDRAULICI           |
| 2.  | SPECIFICHE                | 13. | ISTRUZIONI PER L'USO              |
| 3.  | CONTENUTO                 | 14. | MANUTENZIONE                      |
| 4.  | PRINCIPI DI FUNZIONAMENTO | 15. | CONSIGLI UTILI                    |
| 5.  | PER L'UTENTE              | 16. | IDENTIFICAZIONE E RISOLUZIONE DEI |
| 6.  | PER L'INSTALLATORE        |     | GUASTI                            |
| 7.  | APPLICAZIONE              | 17. | PREPARAZIONE PER L'INVERNO        |
| 8.  | ATTENZI                   | 18. | BREVETTI E MARCHI REGISTRATI      |
| 9.  | ELENCO DELLE PARTI        | 19. | GARANZIA                          |
| 10. | EXTRA OPZIONALI           | 20. | DICHIARAZIONE DI CONFORMITÀ UE,   |
| 11. | INSTALLAZIONE             |     | STANDARD E APPROVAZIONI           |

#### ELENCO DEGLI SCHEMI

- Fig 1a Installazione tipica della Gulper® IC utilizzata come pompa ad alta capacità per scarichi grigi con Gulley IC
- Fig 1b Installazione tipica della Gulper® IC utilizzata come pompa ad alta capacità per scarichi grigi con Two Way Manifold IC
- Fig 2 Installazione tipica della Gulper® IC utilizzata con un interruttore tradizionale / accessori non a marchio Whale® IC
- Fig 3 Orientamento della pompa
- Fig 4 Installazione della Gulper
- Fig 5 Montare il morsetto a P
- Fig 6a Cablaggio della Gulper® IC ad accessori IC Whale®
- Fig 6b Cablaggio della Gulper® IC a interruttore tradizionale
- Fig 7 Collegamento del cavo di commutazione attraverso la paratia
- Fig 8a Collegare il connettore Deutsch®
- Fig 8b Collegare i connettori tradizionali a doppia forcella
- Fig 9 Fissaggio della tubazione

### 4. PRINCIPI DI FUNZIONAMENTO

**IC - Intelligent Control Technology-** Il cuore di ogni prodotto IC Whale® è costituito da circuiti di controllo elettronici incorporati. Gli accessori dei sensori IC possono così comunicare direttamente con le pompe IC per il controllo delle prestazioni. Questi accessori inviano segnali al software incorporato che controlla le pompe affinché possano reagire come richiesto.

**Gulper® IC** - La pompa auto-innescante completamente automatica Gulper® IC è progettata per pompare l'acqua di scarico dal piatto della doccia/lavandino della cucina (o fuori bordo o in un serbatoio di raccolta). La portata di uscita dipende dall'installazione e dalle condizioni di funzionamento.

#### Applicazione per scarichi grigi - con accessori Whale® IC

Quando la Gulper® IC è installata come pompa per scarichi grigi con accessori per scarichi grigi Whale® IC, i segnali elettrici vengono inviati dal Filtro IC al Two Way Manifold IC a 2 vie soltanto nel momento in cui le acque grigie di scarico devono essere pompate via (Vedere Figg 1a e 1b).

## Con accessori non a marchio Whale® IC

La Gulper® IC può essere installata anche come pompa per scarichi grigi insieme ad accessori non a marchio Whale. Ciò consente all'installatore di montare interruttori controllati attraverso una corrente minima, onde impedire che l'impianto si bruci a causa di una corrente troppo elevata (Vedere Fig 2).

## 5. PER L'UTENTE

Leggere attentamente quanto segue prima dell'installazione.

## 6. PER L'INSTALLATORE

Controllare che il prodotto sia adatto all'applicazione intesa, seguire le presenti istruzioni di installazione e garantire che il personale addetto legga i punti elencati sotto. Assicurarsi anche che le presenti istruzioni d'uso vengano consegnate all'utente finale.

## 7. APPLICAZIONE

La pompa Whale® Gulper IC è intesa per l'installazione in navi da diporto per l'uso con acqua marina e dolce. Sono disponibili due versioni per il funzionamento con alimentazione a 12 V cc o a 24 V cc. Se le pompe sono destinate a utilizzi diversi o con altri liquidi, l'utente deve assicurarsi che le pompe siano idonee all'uso previsto e, in particolare, che i materiali siano completamente compatibili con i liquidi da usare. La pompa Whale Gulper® IC non è consigliata per applicazioni domestiche.

## 8. AVVERTIMENTI

1. Questa pompa non deve essere montata sotto la linea di galleggiamento quando è collegata a un ingresso o a uno scarico a meno che il sistema ha un gomito antisifone (vedere Fig 1).
2. Non adatto per l'uso con liquidi infiammabili, gasolio, chimici ecc.
3. Questa pompa non è destinata al controllo dei danni
4. Con tutte le applicazioni, è importante che durante l'installazione, l'utilizzo e la manutenzione venga adottato un sistema di consuetudini di lavoro sicure. Assicurarsi che, prima dell'installazione, l'alimentazione venga spenta e che l'impianto delle acque di scarico venga svuotato. Per fissare l'unità in modo sicuro, assicurarsi che la superficie di montaggio abbia uno spessore minimo di 19 mm (quando viene fissato con le viti fornite in dotazione).
5. **N.B.** Non avvitare direttamente allo scafo ma montare su un pannello supplementare.
6. **NOTA - NON** svitare la parte posteriore, dato che le interferenze con la parte elettrica renderanno la pompa inadatta all'uso. Questa parte della pompa non è soggetta a manutenzione.
7. **ATTENZIONE!** Pericolo di incendio. I cablaggi devono essere conformi agli standard elettrici applicabili e includere un fusibile o un interruttore di dimensioni adeguate. Un cablaggio non corretto può causare incendi con rischio di incidenti o morte. Spegnerne l'alimentazione mentre si effettuano i collegamenti. Le informazioni sui cablaggi hanno titolo orientativo.



Per informazioni più complete, fare riferimento alle norme USCG, ABYC e ISO per le applicazioni marine e i calibri dei fili, i connettori e i fusibili.

## 9. ELENCO DELLE PARTI

- 1 Gulper® IC
- 3 Viti autofilettanti n° 8 e rondelle
- 1 Gruppo di fusibili in linea
- 1 Gulley IC o Two Way Manifold IC (non incluso con BP2082 o BP2084)

## 10. EXTRA OPZIONALI

AK2050 - Testa della pompa Gulper® di ricambio

AK2081 - Adattatore da connettore Deutsch® tradizionale a connettore a forcella

AK2086B - Cavo di prolunga con connettore Deutsch da 6 m

## 11. INSTALLAZIONE

**NOTA:** l'errata installazione comporterà l'annullamento della garanzia

Preparazione - Prima di procedere all'installazione, scollegare sempre le fonti di alimentazione.

### 11.i Posizionamento

- Scegliere una posizione di fissaggio della pompa che sia all'asciutto e lontano da acqua stagnante e priva di ostacoli.
- Montarla in una posizione in cui la lunghezza dei tubi sia la più corta possibile.

### 11.ii Istruzioni per il montaggio - Gulper® IC

- La Gulper IC può essere montata su una superficie orizzontale o verticale
- Quando viene montata in verticale, assicurarsi che la testa della pompa sia nella posizione più bassa possibile (vedere Fig 3).

**NOTA** - Si raccomanda di montare lo scarico al di sopra della linea di galleggiamento e che gli antisifoni siano sistemati in posizione opportuna - vedere l'installazione tipica (Fig. 1 e 2)

- Durante l'installazione, posizionare la pompa sulla superficie e trovare le angolazioni migliori del tubo (per impedirne l'attorcigliamento) e marcare le posizioni dei tre fori utilizzando i piedini della pompa.

**NOTA:** La testa della pompa può essere ruotata per adattarsi ai raccordi del tubo. Allentare la vite, regolare e assicurarsi che il diaframma rimanga in posizione. Rimettere la testa nella posizione richiesta (fig 4) e stringere la vite

- Fare dei fori pilota da 3,2 mm

**NOTA:** Non fare dei fori nello scafo, assicurarsi che la pompa sia montata su una tavola aggiuntiva o sulla paratia.

- Per fissare la pompa, utilizzare le tre viti autofilettanti No. 8 e relative rondelle (fornite in dotazione).
- Per collegare la pompa con le fascette stringitubo, utilizzare un tubo rinforzato con foro liscio da 19 mm o 25 mm.

**NOTA:** Gli attacchi portagomma significano che non è necessario tagliare ingressi o scarichi a misura.

**NOTA:** Assicurarsi che i collegamenti siano saldi, ma non stringere eccessivamente i morsetti/ viti/ fascette stringitubo.

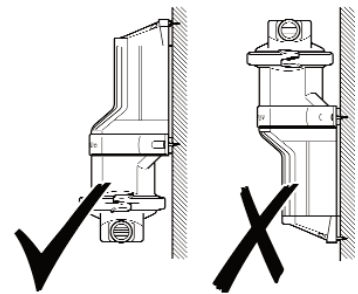


Fig. 3 - Orientamento della pompa

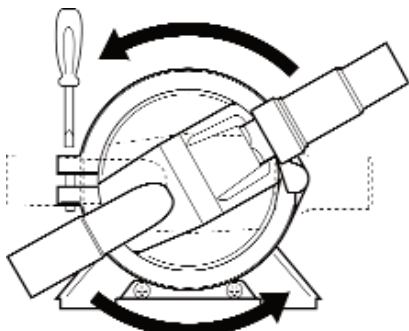


Fig 4. Installazione della Gulper®

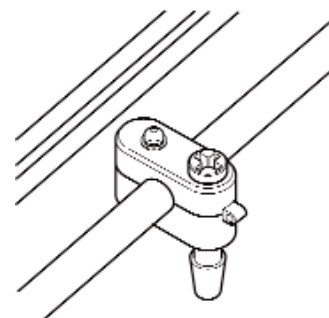


Fig 5. Montare il morsetto a P

- Avvitare il morsetto a p alla paratia assicurandosi che si trovi a una distanza di circa 100 mm dall'alloggiamento posteriore (Fig 5).

**NOTA:** Per fissare l'unità in modo sicuro, assicurarsi che la superficie di montaggio del morsetto a p sia spessa almeno 19 mm.

### 11.iii Cablaggi elettrici

- Per l'installazione con accessori IC Whale®, utilizzare i connettori Deutsch® precablati forniti in dotazione
- Se non si ha dimestichezza con le normative elettriche applicabili, assicurarsi di fare installare l'unità da un elettricista/tecnico qualificato.

**ATTENZIONE!** Pericolo di incendio. I cablaggi devono essere conformi agli standard elettrici applicabili e includere un fusibile o un interruttore di dimensioni adeguate. Un cablaggio non corretto può causare incendi con rischio di incidenti o morte. Spegnerne l'alimentazione mentre si effettuano i collegamenti. Le informazioni sui cablaggi hanno titolo orientativo. Per informazioni più complete, fare riferimento alle norme USCG, ABYC e ISO per le applicazioni marine e i calibri dei fili, i connettori e i fusibili.

### COLLEGAMENTO DEI CAVI ELETTRICI

La polarità è indicata dal cavo colorato (Positivo - rosso, Negativo - nero).

Il filo bianco può essere collegato ad una luce in spia per indicare quando il sistema è in uso e / o come un interruttore di comando manuale.

**NOTA** La pompa è protetta contro un collegamento a polarità inversa (il fusibile in linea salterà)

**NOTA:** Un filo elettrico sottodimensionato nel circuito prima della pompa ne ridurrà la tensione quando la pompa sarà sotto carico, producendo in tal modo scarse prestazioni e possibili guasti al motore.

- Assicurarsi che in tutti i cavi elettrici installati dei fili elettrici abbiano una dimensione almeno pari a 1,5 mm<sup>2</sup> (16 AWG).
- Per comandare la pompa, fra il terminale sotto tensione sulla batteria e il cavo positivo sulla pompa deve essere montato un sezionatore (Vedere 11 v)

**AVVERTENZA** Assicurarsi che non ci siano spire di cavo elettrico che potrebbero costituire un surriscaldamento di inciampo.

### 11.iv ADATTAMENTO DEL FUSIBILE

Valore del fusibile per pompe automobilistiche BP2082B (12V c.c.) da 10 Amp

Valore del fusibile per pompe automobilistiche BP2084B (24V c.c.) da 5 Amp

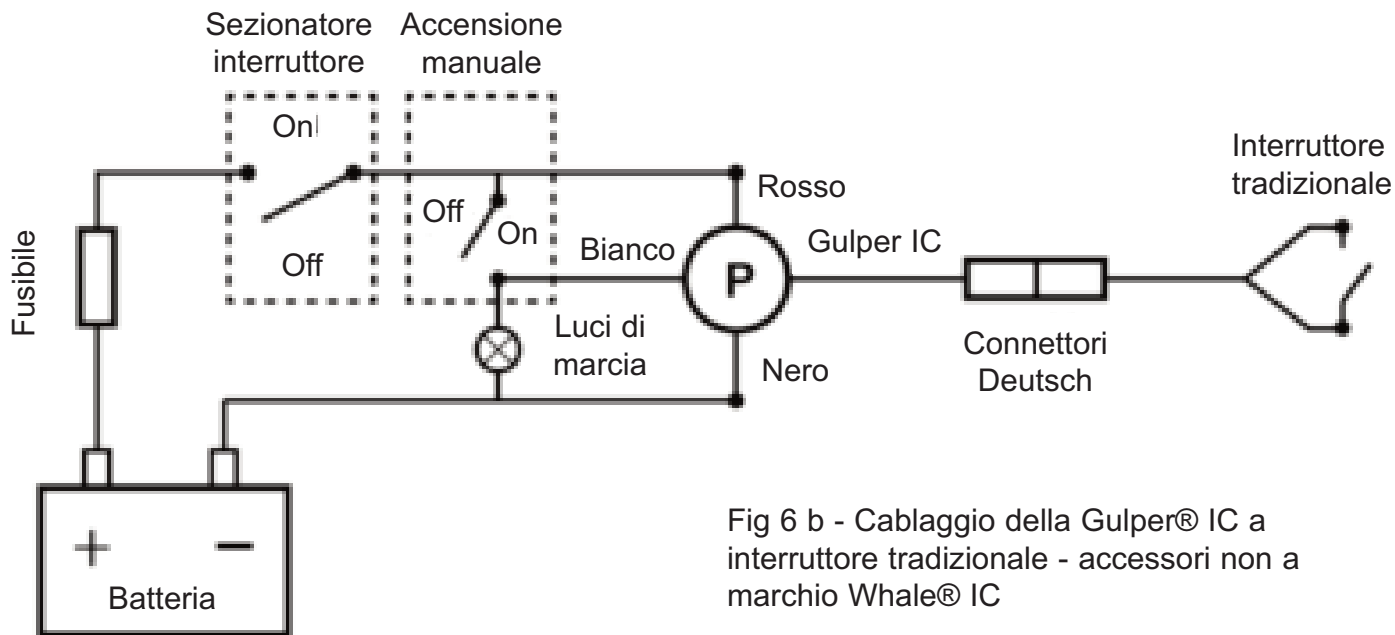
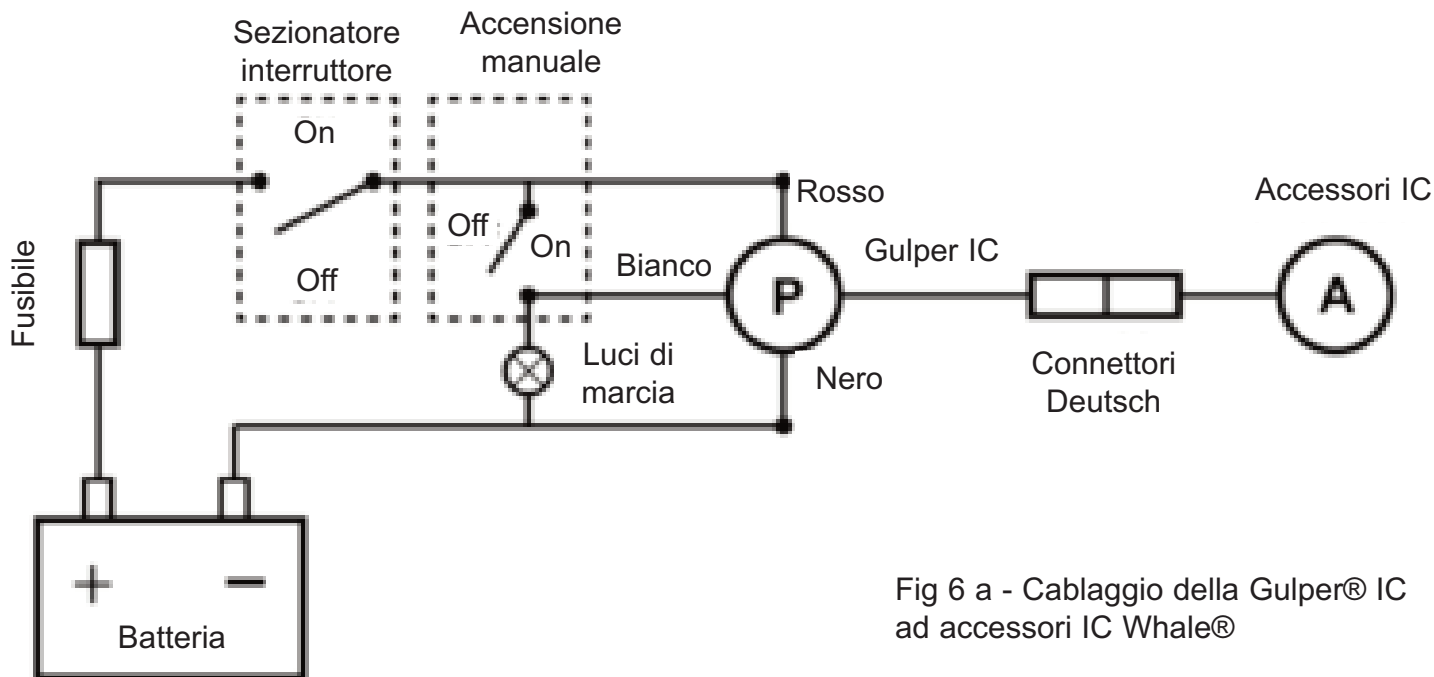
Il gruppo dei fusibili in linea fornito in dotazione deve essere montato al lato positivo della pompa (vedere Fig 6).

**SCOPO DEL FUSIBILE:** Lo scopo di questo fusibile è quello di proteggere la pompa da gravi danni in caso di ostruzioni dell'impianto; perciò, prima di mettere in funzione la pompa, assicurarsi che tutte le valvole siano completamente aperte.

Se il fusibile salta:

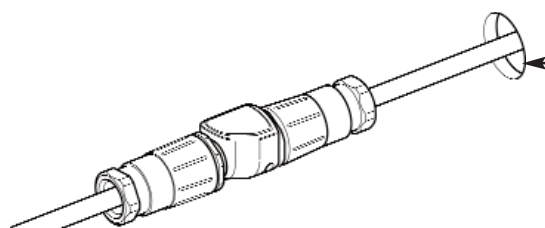
- a) Controllare che tutte le valvole/rubinetti a maschio dell'impianto siano aperti
- b) Controllare che le aperture di ingresso e di uscita non siano bloccate
- c) Controllare che il resto dell'impianto non sia bloccato
- d) Controllare il collegamento a polarità inversa

## 11.v Schemi di cablaggio:



## 11.vi COLLEGAMENTO DEL CAVO DI COMMUTAZIONE

Se il cavo di commutazione deve essere fatto passare nella paratia, assicurarsi di fare un foro con un diametro minimo di 25 mm.



Diametro minimo del foro 25 mm

Fig 7: Collegamento del cavo di commutazione attraverso la paratia

## 11.vii COLLEGAMENTO DELLA GULPER® IC AD ACCESSORI WHALE® IC - APPLICAZIONI PER SCARICHI GRIGI E PER SENTINA

Collegare i connettori Deutsch precablati sulla Gulper® IC Whale (Fig 8a)

## 11.viii INSTALLAZIONE PER GULPER® IC CON INTERRUTTORI TRADIZIONALI O ACCESSORI NON A MARCHIO WHALE® IC

Utilizzare l'Adattatore AK2081 (disponibile separatamente) Deutsch® al cavo del connettore tradizionale a doppia forcella per collegarlo a un interruttore di scarico o a un interruttore manuale /interruttore di flusso remoto non a marchio Whale® IC.

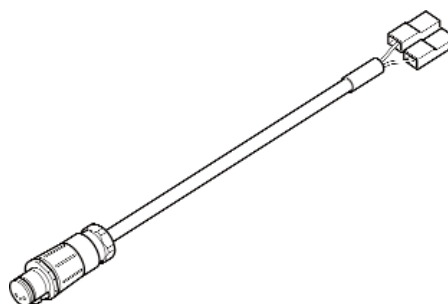
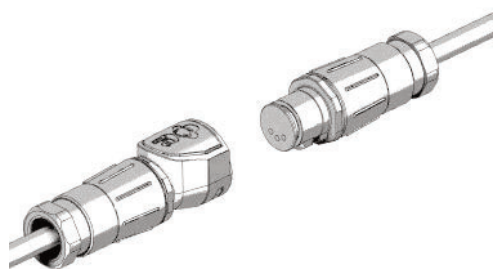


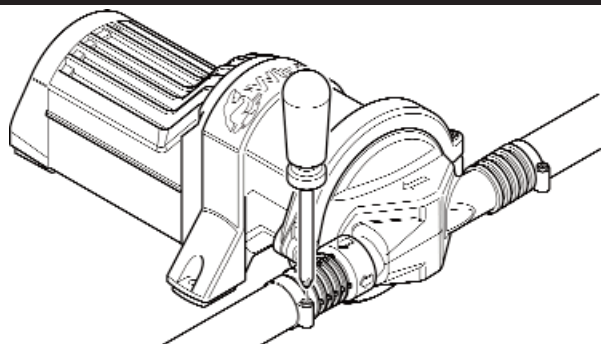
Fig 8a Collegare il connettore Deutsch®

Fig 8b Collegare i connettori tradizionali a doppia forcella

**Fase 1 -** Collegare il connettore Deutsch® della Gulper® IC a un adattatore.

**Fase 2 -** Collegare i connettori tradizionali a doppia forcella dell'adattatore all'interruttore tradizionale o a un accessorio non a marchio Whale® IC.

## 12. ALLACCIAMENTI IDRAULICI



Utilizzare tubazioni rinforzate con foro liscio da 19 mm o 25 mm per collegare la pompa. Fissare la tubazione all'ingresso e all'uscita con una fascetta stringitubo regolabile a vite (Fig 9)

Fig 9. Fissaggio della tubazione

## 13. ISTRUZIONI PER L'USO

Controllare che l'installazione della pompa sia completamente collaudata prima del primo utilizzo.

**NOTA** - Queste sono tutte applicazioni automatiche o semi-automatiche - assicurarsi che il sezionatore sia acceso. **Quando l'impianto elettrico è sotto tensione tranne che nell'applicazione per sentina, non lasciare incustodita l'imbarcazione.**

### 13.i APPLICAZIONE PER ACQUA GRIGIE

**Gulper® IC con Gulley IC a due vie** - Aprire la doccia per fare scorrere gli scarichi grigi attraverso il Gulley IC a due vie e controllare che la pompa funzioni (ritardo di avviamento: 1 secondo).

**NOTA** La pompa dovrebbe fermarsi 9 secondi dopo la disattivazione.

**Gulper® IC con Two Way Manifold IC a due vie** - Aprire la doccia o il lavandino per fare scorrere gli scarichi grigi attraverso il Two Way Manifold IC a due vie e controllare che la pompa funzioni (ritardo di avviamento: 1 secondo). **NOTA** La pompa dovrebbe fermarsi 9 secondi dopo la disattivazione.

**Gulper® IC** - utilizzata con accessori non a marchio Whale® IC - Attivare l'interruttore per controllare il funzionamento della pompa (ritardo di avviamento: 1 secondo). **NOTA** La pompa dovrebbe fermarsi 9 secondi dopo la disattivazione.

## 14. MANUTENZIONE

Questa pompa Whale® Gulper IC richiede una manutenzione minima. **ATTENZIONE!** Durante le operazioni di manutenzione, controllare che la pompa sia scollegata dalle linee elettriche e idrauliche.

### Per prestazioni ottimali

- Controllare che non ci siano scorie o detriti all'interno delle tubature e dei componenti

## Controlli annuali

- Whale® prescrive il controllo annuale della presenza di perdite e ostruzioni nel sistema idraulico. Si raccomanda anche di controllare il sistema elettrico della pompa.
- Prima di effettuare l'ispezione o la sostituzione del diaframma, scollegare l'alimentazione elettrica.

## SE LA POMPA NON FUNZIONA COME PREVISTO:-

- Allentare le fascette stringitubo per staccare la pompa dalle tubazioni.
- Svitare la fascetta di fissaggio Ezi-clamp per sbloccare la testa della pompa - vedere Fig 4 - Questo sbloccherà la testa della pompa e consentirà di accedere facilmente alle valvole e al diaframma.
- Il diaframma e le valvole dovrebbero essere controllati alla ricerca di usura, danni o incrinature e, se necessario, dovrebbero essere sostituiti (kit di assistenza AK2050 - sostituzione della testa della pompa).

## Pulizia

La Gulper IC ad accessori IC Whale® dovrebbe essere pulita con regolarità per mantenerne le performance ottimali e per assicurarsi che non si verifichino intasamenti.

**AVVERTENZA:** Non utilizzare detergenti abrasivi.

## 15. CONSIGLI UTILI

La fascetta esclusiva ezi-clamp semplifica l'installazione e la manutenzione della pompa con una vite di tenuta, che significa che la testa può essere applicata o sostituita facilmente da una sola persona, senza rischio di fare cadere le viti.

## 16. INDIVIDUAZIONE GUASTI

PROBLEMA	POSSIBILI CAUSE	POSSIBILE SOLUZIONE
Fusibile saltato o collegamento elettrico lasco	Alimentazione elettrica spenta/non funzionante. Collegamento elettrico lasco.	Controllare che il sezionatore sia acceso
	Il circuito della pompa non è in tensione	Controllare i collegamenti elettrici per assicurarsi che la pompa riceva corrente normalmente e sia priva di corrosione. Controllare che dalla batteria arrivino 12/24 volt
	Fusibile saltato o collegamento elettrico lasco	Controllare il fusibile in linea ed assicurarsi che tutti i collegamenti elettrici siano saldi e privi di corrosione. Se il fusibile è saltato, controllare la polarità inversa, che le valvole o i rubinetti di presa a mare siano chiusi, poi controllare i residui nella testa della pompa e, se necessario, pulirla. (Vedere sezione 11). Sostituire il fusibile e azionare la pompa
Difetto di adescamento - Il motore funziona, ma la pompa non scarica	Lo scarico della doccia /lavandino è intasato	Controllare/pulire lo scarico della doccia/ lavandino
	Residui sotto le valvole a cerniera/ alloggiamento non corretto	Spegnere i componenti elettrici e scollegare le valvole idrauliche di non ritorno cercando gli eventuali blocchi e togliere i residui
	Fuoriuscita di aria nella linea di aspirazione	Controllare che i collegamenti del tubo siano a tenuta d'aria. Aprire la testa della pompa, le valvole di non ritorno e il diaframma
	Diaframma della pompa forato	Sostituire il componente danneggiato utilizzando il kit di assistenza - Numero del componente AK2082 (Vedere sezione 14)
	Linea di aspirazione o di scarico ristretta	Controllare che tutti i collegamenti del tubo siano a tenuta d'aria, privi di ostruzioni e che il tubo non sia collassato/piegato

La pompa non si spegne quando è necessario	L'accessorio IC degli scarichi grigi o l'interruttore tradizionale non funzionano	Controllare che l'accessorio IC o l'interruttore tradizionale funzionino correttamente, altrimenti sostituire il pezzo (vedere tabella delle specifiche)
	Interruttore a galleggiamento delle acque grigie difettoso/con residui	Eliminare i residui/sostituire l'interruttore a galleggiamento
	Tensione insufficiente alla pompa	Controllare l'alimentazione della pompa
Scarsa portata	Perdita d'aria all'aspirazione della pompa	Controllare che i collegamenti del tubo siano a tenuta d'aria
	Residui all'interno della pompa e delle tubazioni	Spegnere i componenti elettrici e scollegare le tubazioni, controllare le eventuali ostruzioni ed eliminarle (Vedere sezione 14)
	Diaframma della pompa forato	Sostituire il componente danneggiato utilizzando il kit di assistenza - Componente numero AK2050 (Vedere sezione 14)
	Controllo elettronico difettoso	Sostituire la pompa. Se rientra nel periodo di garanzia specificato, contattare Whale (vedere i dettagli qui sotto)

**AVVERTENZA: NON** svitare la parte posteriore dato che le interferenze con le parti elettriche interne renderanno la pompa inadatta all'uso - questa parte della pompa non è soggetta a manutenzione.

## 17. PREPARAZIONE PER L'INVERNO

**NOTA:** In occasione del rimessaggio invernale - svuotare completamente l'impianto Whale® non può rispettare la garanzia se l'impianto non viene svuotato completamente per il rimessaggio invernale

## 18. BREVETTI E MARCHI

Marchi registrati - Whale® al Gulper® è un marchio registrato di Munster Simms Engineering Limited. I prodotti Whale® Gulper® IC sono protetti dalle seguenti richieste di brevetto:

P92580GB00                      P92043GB00

Deutsch® è un marchio registrato di Deutsch Group. Santoprene® è un marchio registrato di Advanced Elastomer Systems, LP, un'affiliata di Exxonmobil Chemical. Delrin®, Teflon® e Neoprene sono marchi registrati di Dupont Neumeurs e Co. Monprene® è un marchio registrato di Technore Apex.

## 19. GARANZIA

Questo prodotto Whale® è coperto da una garanzia di 3 anno. Si veda il documento allegato per i dettagli sulla nostra dichiarazione di garanzia limitata.

Per l'installazione e l'assistenza si prega di contattare il servizio clienti Whale®.

UK Tel: +44 (0)28 9127 0531

USA Tel: 1 616 897 9241

UK Email: info@whalepumps.com

USA Email: usasales@whalepumps.com



## 20. DICHIARAZIONE DI CONFORMITÀ UE, STANDARD E APPROVAZIONI

Questo prodotto è conforme a tutte le direttive e gli standard europei rilevanti. Contattare Whale® per ulteriori dettagli.

### Dichiarazione del produttore

Con la presente dichiariamo, sotto la nostra esclusiva responsabilità, che le attrezzature incluse sono conformi alle seguenti Direttive CE.

Direttiva sulla compatibilità elettromagnetica 89/336/CEE, modificata dalle Direttive 92/31/CEE e 93/68/CEE sull'approssimazione delle leggi degli Stati Membri relative alla compatibilità elettromagnetica.

Direttiva sulla bassa tensione 73/23/EEC modificata dalla 93/68/EEC sull'armonizzazione delle leggi degli stati membri relativamente agli impianti elettrici concepiti per l'uso entro determinati limiti di tensione.

**Marchio CE apposto** : 19/04/10

### Base della dichiarazione di conformità

Le attrezzature descritte sopra sono conformi ai requisiti di protezione della direttiva EMC e ai principali elementi degli obiettivi di sicurezza della Direttiva sulla bassa tensione.

### Standard applicati

EN60335-1:2002-	Sicurezza degli elettrodomestici e delle apparecchiature elettriche simili
EN60335-2:41:2003-	Requisiti particolari per le pompe
EN55014-1:2000-	Compatibilità elettromagnetica. Requisiti degli elettrodomestici, delle apparecchiature elettriche e di apparecchiature elettriche simili. Emissioni
EN55014-2:1997-	Compatibilità elettromagnetica. Requisiti degli elettrodomestici, delle apparecchiature elettriche e di apparecchiature elettriche simili. Immunità. Norma di famiglia di prodotti

Data: 31/05/2010

Richard Bovill  
Direttore Engineering

©Copyright Whale 2017 – Tutti i diritti riservati. La riproduzione totale o parziale è vietata senza il nostro consenso. WHALE® è un marchio registrato di Munster Simms Engineering Limited, Bangor, Northern Ireland operante come Whale. La politica di Whale è quella di apportare continui miglioramenti e quindi ci riserviamo il diritto di modificare le specifiche senza previa comunicazione. Le immagini hanno scopo meramente orientativo.

L'azienda non garantisce la precisione né la completezza delle informazioni contenute in questa o in altra documentazione del prodotto che possono essere soggette a cambiamenti a discrezione unica dell'azienda.

Referencia	Descripción
BP2082B	Gama de bombas para aguas grises Whale® Gulper IC - 12 V.
BP2084B	Gama de bombas para aguas grises Whale® Gulper IC - 24 V
SG8284	Kit para aguas grises con Gulley IC - 12 V
SG8484	Kit para aguas grises con Gulley IC - 24 V
WM8284	Kit para aguas grises con Two Way Manifold IC -12 V
WM8484	Kit para aguas grises con Two Way Manifold IC -24 V

### INSTRUCCIONES DE INSTALACIÓN Y DEL USUARIO

Muchas gracias por comprar este producto Whale®. Desde hace más de 70 años Whale® es el referente en el diseño y la fabricación de sistemas de agua dulce, achique y aguas residuales incluyendo accesorios de fontanería, grifos, duchas, tanques y bombas en 12 y 24 voltios. La empresa y sus productos son hoy sinónimo de calidad, fiabilidad e innovación, respaldados por un excelente servicio de atención al cliente. Para obtener más información sobre nuestra amplia gama de productos, visite [www.whalepumps.com](http://www.whalepumps.com)

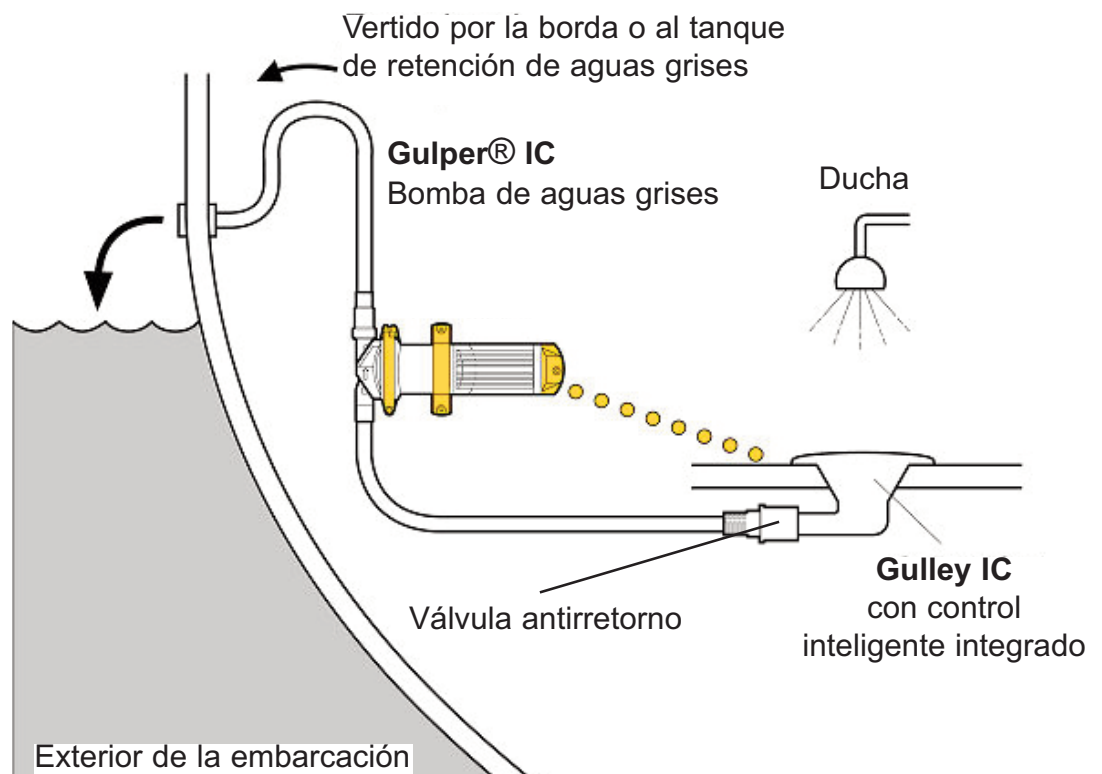
#### 1. INSTALACIÓN HABITUAL

La Gulper® IC es una bomba para residuos de gran capacidad con electrónica de control inteligente incorporada, diseñada para la instalación en embarcaciones marítimas de recreo a modo de bomba de achique de aguas grises de alta capacidad.

Existen dos opciones de instalación:

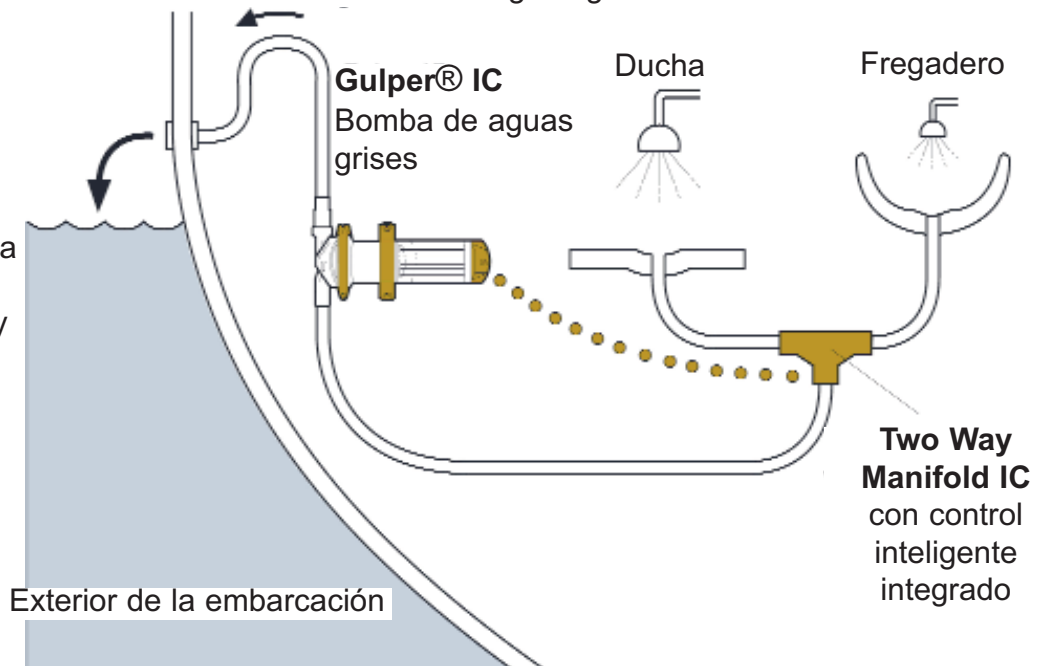
Opción 1: bomba de aguas grises Gulper® IC con accesorios Grey IC de Whale® (disponibles por separado). Véase la fig. 1a para el accesorio sumidero Gulley IC y la fig. 1b para el accesorio colector de dos derivaciones Two Way Manifold IC.

Fig. 1a Instalación habitual utilizando la Gulper® IC como bomba de aguas grises de alta capacidad con sumidero Gulley IC



Vertido por la borda o al tanque de retención de aguas grises

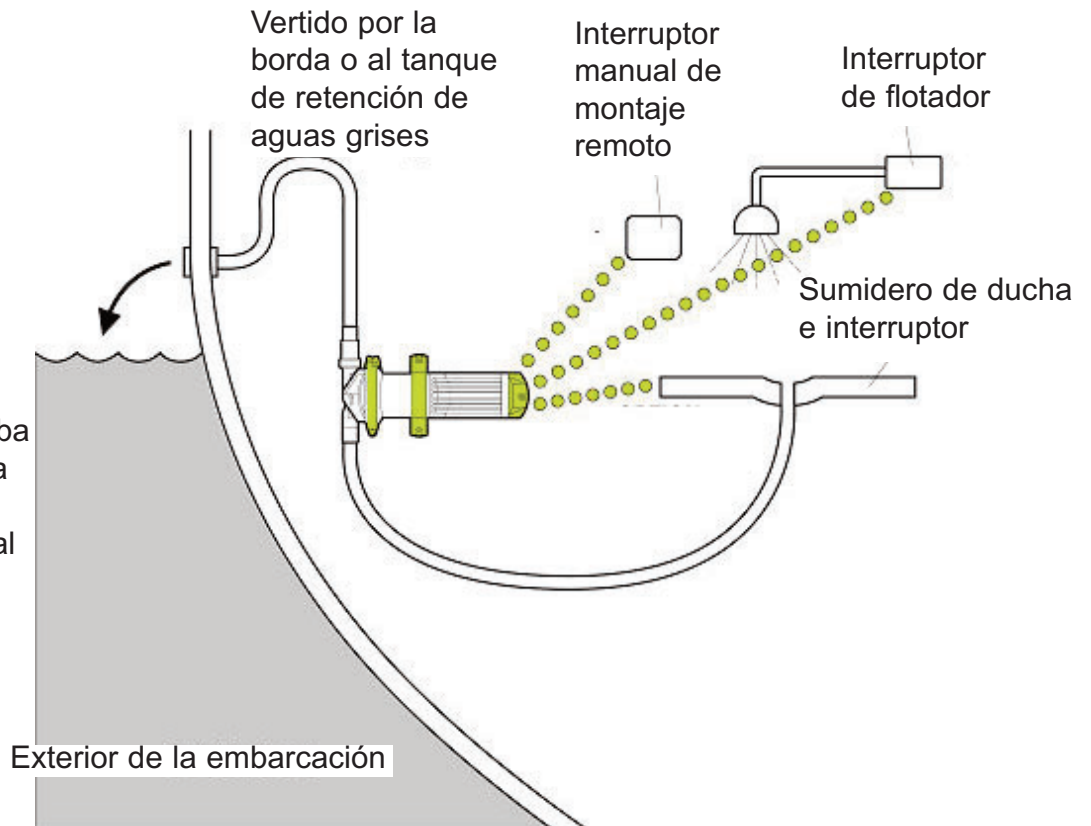
Fig. 1b Instalación habitual utilizando la Gulper® IC como bomba de aguas grises de alta capacidad con Two Way Manifold IC



Opción 2: bomba de aguas grises Gulper® IC sin accesorios Grey IC de Whale®.

Vertido por la borda o al tanque de retención de aguas grises

Fig. 2 - Instalación habitual utilizando la Gulper® IC como bomba de aguas grises de alta capacidad, con un interruptor convencional (sin accesorios IC de Whale®).



## 2. ESPECIFICACIONES

Modelo	Gulper® IC / Gulper IC Kits					
Código del producto	BP2082B	SG8284	WM8284	BP2084B	SG8484	WM8484
Voltaje	12 V			24 V		
Intervalo de tensión	10 V a 13.6 V			21.6 V a 27.2 V		
Conexiones de mangueras	Conexiones escalonadas para tubo de diámetro interior 19mm o 25mm					
Fusible recomendado	10 A			5 A		
Sección mínima del cableado	1.5mm <sup>2</sup> (16 AWG)					
Peso	1.6 kg	2.6 kg	2.6 kg	1.6 kg	2.6 kg	2.6 kg
Materiales	<b>Cabezal de la bomba:</b> nylon reforzado. <b>Válvulas y diafragma:</b> Santoprene <b>Cuerpo de bomba:</b> aluminio. <b>Rueda de engranaje:</b> Delrin. <b>Cierres:</b> Acero inoxidable					
Repuestos	AK2050 - Cabezal de bomba Gulper® de recambio					
Accesorios (disponibles por separado solo para BP2082B y BP2084B )	SG3482B - Pequeño Gulley IC - cable de 2 m SG3484B - Pequeño Gulley IC - cable de 4 m SG1982B - Grande Gulley IC - cable de 2 m SG1984B - Grande Gulley IC - cable de 4 m WM1982B - Two Way Manifold - cable de 2 m, puerto de 19 mm WM1984B - Two Way Manifold - cable de 4 m, puerto de 19 mm WM2582B - Two Way Manifold - cable de 2 m, puerto de 25 mm WM2584B - Two Way Manifold - cable de 4 m, puerto de 25 mm WM3882B - Two Way Manifold - cable de 2 m, puerto de 38 mm WM3884B - Two Way Manifold - cable de 4 m, puerto de 38 mm					
Conectores	Conectores Deutsch: serie de conexión rápida de 7 vías AK2081 - Conector de dos horquillas tradicional Deutsch® AK2086B - Cable de extensión del conector Deutsch de 6 m )					
Aspiración máxima (vertical)	3m					
Descarga máxima (vertical)	3m					
Combinación de aspiración y descarga máxima (vertical)	4m					
Retardos en el funcionamiento	1 segundo de retardo en el arranque / 45 segundos de retardo en la parada					
Consumo de corriente en reposo	Bajo consumo: 0,01 A					

### DATOS DE FUNCIONAMIENTO

Altura de aspiración	0m	0m	1m	1m
Altura de descarga	1m	1m	1m	1m
Diámetro interior tubo	19mm	25mm	19mm	25mm
Caudal por minuto	19 ltrs	17.5 ltrs	17.5 ltrs	15.5 ltrs
Caudal por hora	1140 ltrs	1050 ltrs	1038 ltrs	930 ltrs
Consumo de corriente (12 V)	7.5 amp	8 amp	7.5 amp	8 amp
Consumo de corriente (24 V)	3.25 amp	4 amp	3.25 amp	4 amp

**Nota:** la capacidad de servicio depende de la instalación y las condiciones de funcionamiento. Whale® sigue una política de mejora constante y se reserva el derecho a modificar las especificaciones sin previo aviso.

### 3. LISTA DE CONTENIDOS Y LISTA DE DIAFRAGMAS

- |     |                              |     |                               |
|-----|------------------------------|-----|-------------------------------|
| 1.  | INSTALACIÓN HABITUAL         | 12. | TUBERÍAS                      |
| 2.  | ESPECIFICACIONES             | 13. | INSTRUCCIONES DE USO          |
| 3.  | LISTA DE CONTENIDOS          | 14. | MANTENIMIENTO                 |
| 4.  | PRINCIPIOS DE FUNCIONAMIENTO | 15. | CONSEJOS ÚTILES               |
| 5.  | PARA EL USUARIO              | 16. | SOLUCIÓN DE PROBLEMAS         |
| 6.  | PARA EL INSTALADOR           | 17. | INVERNAJE                     |
| 7.  | APLICACIÓN                   | 18. | PATENTES Y MARCAS REGISTRADAS |
| 8.  | ADVERTENCIAS                 | 19. | DECLARACIÓN DE GARANTÍA       |
| 9.  | LISTA DE COMPONENTES         | 20. | DECLARACIÓN DE CONFORMIDAD    |
| 10. | EXTRAS OPCIONALES            |     | EU, NORMAS Y APROBACIONES     |
| 11. | INSTALACIÓN                  |     |                               |

#### LISTA DE DIAFRAGMAS

- Fig 1a Instalación normal utilizando la Gulper® IC como bomba de aguas grises de alta capacidad con sumidero Gulley IC
- Fig 1b Instalación normal utilizando la Gulper® IC como bomba de aguas grises de alta capacidad con Two Way Manifold IC
- Fig 2 Instalación normal utilizando la Gulper® IC como bomba de aguas grises de alta capacidad, con un interruptor convencional (sin accesorios IC de Whale®).
- Fig 3 Orientación de la bomba
- Fig 4 Instalación de la Gulper®
- Fig 5 Montaje de la abrazadera tipo "P"
- Fig 6a Montaje de las abrazaderas
- Fig 6b Montaje de las abrazaderas
- Fig 7 Cableado Gulper® IC para accesorios IC
- Fig 8a Conexión del cable de conmutación a través del mamparo
- Fig 8b Conexión del cable de conmutación a través del mamparo
- Fig 9 Conectar los conectores Deutsch®

### 4. PRINCIPIOS DE FUNCIONAMIENTO

**IC – Tecnología de control inteligente** - El corazón de cada producto Whale® IC incorpora un sistema innovador de circuitos de control electrónico. Gracias a ello es posible que los accesorios de los sensores IC se comuniquen directamente con las bombas IC y controlen el rendimiento de éstas. Estos accesorios envían señales al software inteligente que, a su vez, controla las bombas para que reaccionen según sea necesario.

**Gulper® IC** - La bomba autocebante completamente automática Gulper® IC se ha diseñado como para bombear aguas residuales desde un plato de ducha o fregadero de cocina (vertido por la borda o al tanque de retención) . La capacidad de servicio depende de la instalación y las condiciones de funcionamiento.

**Aplicación para aguas grises con accesorios IC de Whale®** - Si la Gulper® IC está instalada como bomba de aguas grises con los accesorios Grey IC de Whale®, solo se envían señales eléctricas desde el sumidero Gulley IC o el colector de dos derivaciones Two Way Manifold IC cuando sea necesario bombear las aguas grises (véanse las figs. 1a y 1b).

**Sin accesorios IC de Whale®** - La Gulper® IC también puede instalarse como bomba de aguas grises sin accesorios IC de Whale. Ello permite al instalador montar dispositivos de conmutación con control de baja corriente, evitando así posibles incendios provocados por la corriente alta. 53

## 5. PARA EL USUARIO

Antes de la instalación lea estos consejos con atención.

## 6. PARA EL INSTALADOR

Compruebe que el producto sea adecuado para el uso previsto, siga las instrucciones de instalación y asegúrese de que el personal de instalación lea los puntos siguientes. Asimismo, debe pasar estas instrucciones de servicio al usuario final.

## 7. APLICACIÓN

La Gulper® IC se ha diseñado para instalación exclusivamente en embarcaciones marítimas de recreo con alimentaciones eléctricas de 12 o 24 V. Tanto si se destina para otro uso del previsto como para procesar otro tipo de líquido, será responsabilidad del usuario asegurarse de que la bomba sea idónea para el correspondiente uso y, en especial, de que los materiales sean plenamente compatibles con los líquidos que van a procesar. La bomba Gulper® IC de Whale no se recomienda para aplicaciones domésticas.

## 8. ADVERTENCIAS

1. Esta bomba no debe montarse por debajo de la línea de flotación cuando está conectada a una entrada o una salida a menos que el sistema tiene un circuito ventilado (véase la fig. 1).
2. **No** es adecuada para el bombeo de líquidos inflamables, diesel, productos químicos, etc.
3. Esta bomba no es idónea para el control de daños
4. En todos los posibles usos es importante aplicar un conjunto de prácticas de trabajo seguras en la instalación, el uso y el mantenimiento. Antes de la instalación, se debe comprobar que la alimentación eléctrica esté desconectada y que se haya drenado el sistema. Para asegurar la instalación, se debe comprobar que la superficie de montaje tenga un grosor mínimo de 19 mm (si se utilizan los tornillos suministrados).
5. **NOTA:** No atornillar directamente en el casco. El equipo debe montarse en una mampara o una placa o tabla adicionales.
6. **NOTA: NO** desatornillar la sección posterior, ya que las interferencias con el sistema eléctrico interno inutilizarían la bomba. (Se trata de una parte de la bomba no reparable).
7. **ADVERTENCIA:** Peligro de incendio. El cableado debe cumplir con la normativa eléctrica aplicable e incorporar fusibles o disyuntores del tamaño idóneo. Un cableado incorrecto puede provocar un incendio con resultado de lesiones personales graves o mortales. Al efectuar las conexiones, se debe desconectar la alimentación eléctrica. La información sobre el cableado sugerido sólo tiene carácter orientativo.



Para obtener una información completa, consulte las normativas USCG, ABYC e ISO sobre aplicaciones marinas y calibres de cables, conectores y protección por fusibles.

## 9. LISTA DE COMPONENTES

- 1 Gulper® IC
- 1 Conjunto de fusibles en línea
- 3 Tornillos rosca chapa del nº 8 y arandelas
- 1 Gulley IC o Two Way Manifold IC (no se incluye con BP2082 o BP2084)

## 10. EXTRAS OPCIONALES

- AK2050 - Cabezal de bomba Gulper® de recambio
- AK2081 - Conector de dos horquillas tradicional Deutsch®
- AK2086B - Cable de extensión del conector Deutsch de 6 m

## 11. INSTALACIÓN

**NOTA:** una instalación incorrecta anula la garantía. Preparativos: antes de instalar, deben desconectarse siempre las fuentes de alimentación.

### 11.i Ubicación

- Elegir un lugar para montar la bomba que esté seco, sin acumulaciones de agua y libre de obstáculos.
- Montar en un lugar donde la longitud del cable y la manguera sean lo más corto posible.

### 11.ii Instrucciones de montaje - Gulper® IC

- La Gulper® IC puede montarse en superficies horizontales o verticales
- Si se monta en vertical, hay que asegurarse de que el cabezal de la bomba se encuentre en la posición más baja posible (véase la fig. 3).

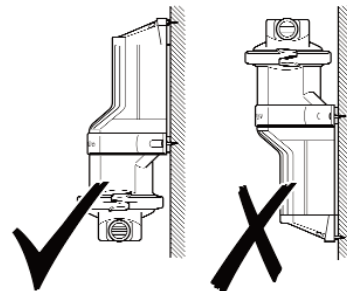


Fig. 3 - Orientación de la bomba

**NOTA:** es aconsejable que la salida esté montada por encima de la línea de flotación y que los bucles antisifón esté correctamente montada; véase la instalación habitual (fig. 1).

- Al realizar el montaje, colocar la bomba sobre la superficie, buscar el mejor ángulo de entrada y salida de los tubos (para evitar curvas) y marcar las 3 posiciones de los orificios utilizando los soportes de la bomba.

**NOTA:** el cabezal de la bomba puede girarse para adaptarlo a las conexiones de la manguera. Aflojar el tornillo, asegurándose de que la membrana permanezca en su sitio. Volver a colocar el cabezal en la posición requerida (fig. 4) y apretar el tornillo.

- Taladrar orificios de 3,2 mm

**NOTA:** no perforar el casco; comprobar que la bomba se monte en un soporte adicional o sobre un mamparo.

- Usar los 3 tornillos rosca chapa del nº 8 y las arandelas (suministrados) para fijar la bomba.
- Usar una manguera de alma lisa reforzada de diámetro interior 19mm o 25mm y conectar a la bomba usando abrazaderas.

**NOTA:** gracias a las conexiones escalonadas no es necesario cortar entradas o salidas a medida.

**NOTA:** comprobar que las conexiones sean firmes pero sin apretar en exceso ni los conectores, ni los tornillos ni las abrazaderas.

Fig 4 -  
Instalación de la  
Gulper®

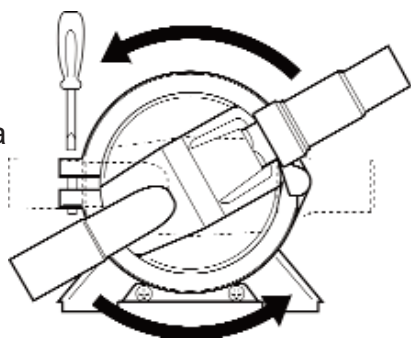
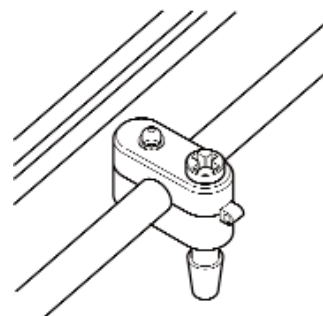


Fig 5 - Montaje  
de la abrazadera  
en "P"



- Atornillar la abrazadera en "P" al mamparo, de manera que quede aprox. a 100 mm de la caja posterior (fig. 5).

**NOTA:** Para asegurar la instalación, la superficie de montaje de la abrazadera en "P" debe tener un grosor mínimo de 19 mm.

### 11.iii Cableado eléctrico

- Para la instalación con accesorios IC de Whale®, usar los conectores precableados Deutsch® que se suministran
- Si no se está familiarizado con las normas eléctricas aplicables, solicitar que un electricista o técnico cualificados efectúen la instalación del equipo.

**ADVERTENCIA:** Peligro de incendio. El cableado debe cumplir con las normativas eléctricas aplicables y disponer de un fusible o disyuntor con un régimen nominal adecuado. Un cableado incorrecto puede provocar un incendio con resultado de lesiones personales graves o mortales.

**NOTA:** Antes de efectuar las conexiones, se debe desconectar la alimentación eléctrica. La información sobre el cableado sugerido sólo tiene carácter orientativo.

Para obtener una información completa, consulte las normativas USCG, ABYC e ISO sobre aplicaciones marinas y calibres de cables, conectores y protección por fusibles.

### CONEXIÓN DE LOS CABLES DE ALIMENTACIÓN

La polaridad se indica mediante el color de los cables (positiva: rojo; negativa: negro).

El cable blanco puede ser conectado a una luz de funcionamiento para indicar que el sistema está en uso y / o como un interruptor de control manual.

**NOTA:** la bomba está protegida frente a conexiones de polaridad inversa (el fusible en línea se funde).

**NOTA:** un cable del circuito con sección demasiado pequeña hasta de la bomba reduce el voltaje cuando la bomba está sometida a carga, lo cual disminuye el rendimiento y aumenta la posibilidad de fallos.

- Comprobar que todos los cables de alimentación instalados tengan una sección mínima de 1,5 mm<sup>2</sup> (16 AWG).
- Para controlar la bomba, debe montarse un interruptor aislado entre el terminal positivo de la batería y el cable positivo de la bomba. (11 v).

**ADVERTENCIA:** comprobar que no haya bucles de cable eléctrico que puedan provocar tropiezos

### 11.iv MONTAJE DEL FUSIBLE

Valor nominal del fusible para bombas BP2082B (12 V) 10 A de automoción.

Valor nominal del fusible para bombas BP2082B (24 V.) 5 A de automoción.

El conjunto de fusible en línea suministrado debe montarse en el lado positivo de la bomba (véase la fig. 7).

**FINALIDAD DEL FUSIBLE:** la finalidad de este fusible es proteger a la bomba contra daños graves en caso de obstrucciones o atascos en el sistema y, por ello, antes de la puesta en servicio de la bomba debe comprobarse que todas las válvulas estén plenamente operativas. Si el fusible se funde:

- a) Comprobar que todas las válvulas y llaves de paso del sistema estén abiertas
- b) Comprobar que los puertos de entrada y salida no estén obstruidos
- c) Comprobar que el resto del sistema no esté obstruido
- d) Comprobar si hay conexiones con polaridad inversa



## 11 v Esquemas de conexiones eléctricas

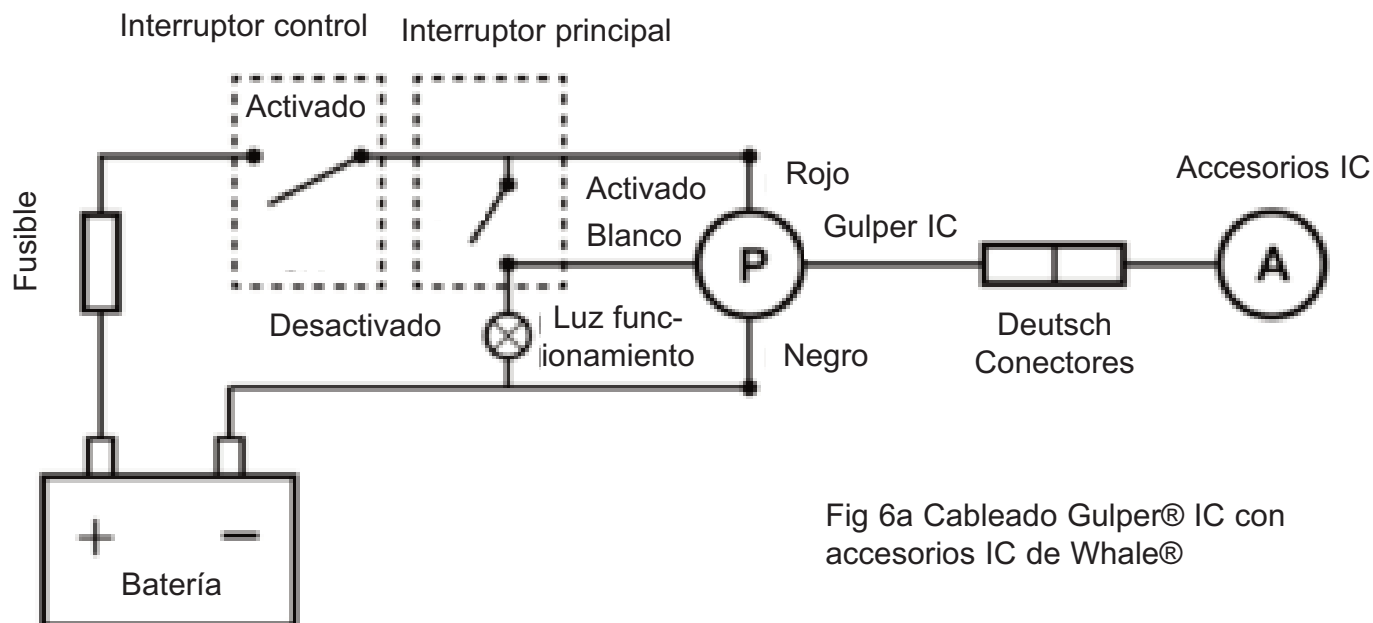


Fig 6a Cableado Gulper® IC con accesorios IC de Whale®

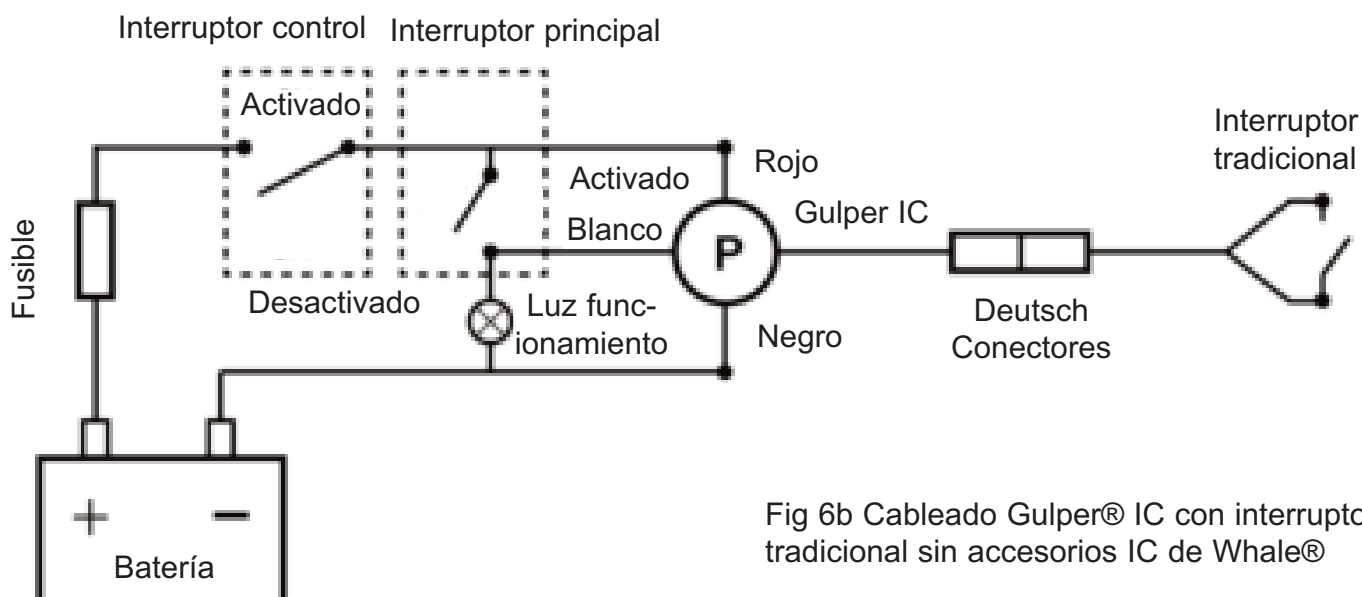


Fig 6b Cableado Gulper® IC con interruptor tradicional sin accesorios IC de Whale®

### 11. vi CONEXIÓN DEL CABLE DE CONMUTACIÓN

Si el cable de conmutación debe montarse a través del mamparo, comprobar que se haya perforado un orificio con un diámetro mínimo de 25 mm.

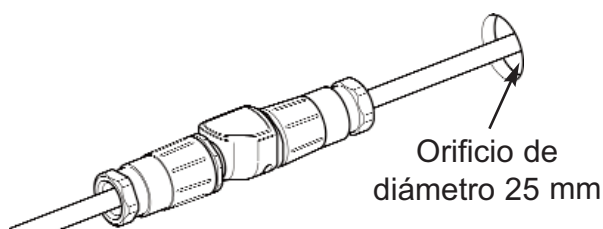


Fig 7 - Conexión del cable de conmutación a través del mamparo

### 11. vii CONEXIÓN DE LA GULPER® IC A LOS ACCESORIOS IC DE WHALE®: APLICACIONES PARA SENTINA Y AGUAS GRISAS

Conectar los conectores precableados Deutsch en la Gulper® IC y el accesorio de Whale.

### 11. viii INSTALACIÓN PARA GULPER® IC CON INTERRUPTORES TRADICIONALES O ACCESORIOS QUE NO SEAN IC DE WHALE®

Usar el adaptador Deutsch® AK2081 (disponible por separado) con los cables de conectores tradicionales de 2 horquillas para conectar el interruptor manual de montaje remoto y el interruptor de flujos o el interruptor de sumidero que no sean IC de Whale®.

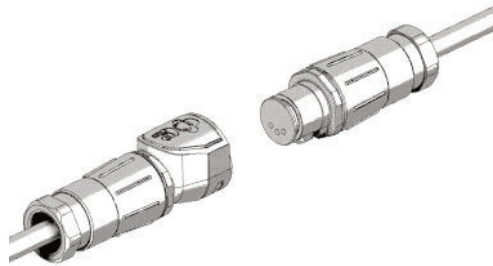


Fig 8a - Acoplar el conector Deutsch®

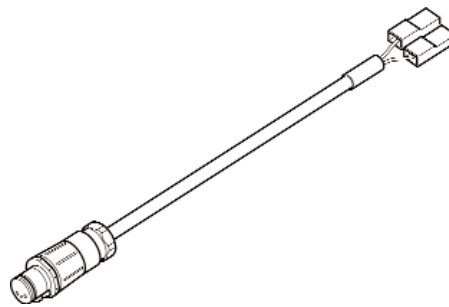
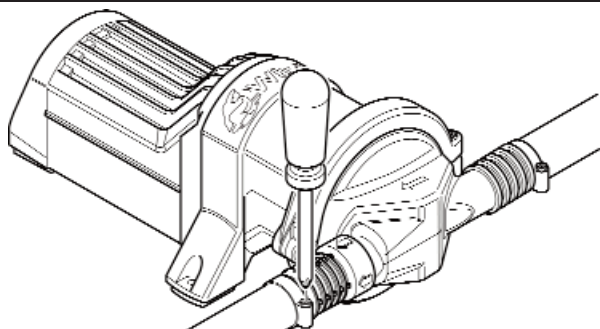


Fig 8b - Acoplar las conexiones del adaptador tradicional de 2 horquilla

Paso 1: acoplar el conector Deutsch® de la Gulper® IC al adaptador.

Paso 2: acoplar las conexiones del adaptador tradicional de 2 horquillas al interruptor tradicional o al accesorio que no sea IC de Whale®.

## 12. TUBERÍAS



Usar una tubería de alma lisa reforzada de diámetro interior 19 o 25 mm para conectar la bomba. Asegurar la tubería en la entrada y salida mediante la abrazadera para manguera flexible (fig. 9).

Fig 9 Sujeción de la tubería

## 13. INSTRUCCIONES DE USO

Antes del primer uso, asegúrese de que la instalación de la bomba haya sido comprobado a fondo **NOTA:** se trata de aplicaciones completamente automáticas o semiautomáticas, por lo que se debe comprobar que el interruptor principal esté activado. **No dejar la embarcación desatendida con el sistema eléctrico activado, salvo en el caso de una aplicación para sentina.**

Gulper® IC con colector de dos derivaciones Gulley IC: conectar la ducha para que circulen las aguas grises a través del colector y comprobar que la bomba funcione (demora de arranque de 1 segundo). **NOTA:** la bomba debe pararse 9 segundos después de la desactivación.

Gulper® IC con colector de dos derivaciones Two Way Manifold IC: conectar la ducha o el fregadero para que circulen las aguas grises a través del colector y comprobar que la bomba funcione (demora de arranque de 1 segundo). **NOTA:** la bomba debe pararse 9 segundos después de la desactivación.

Gulper® IC usada con accesorios que no sean IC de Whale®: activar el interruptor para comprobar el funcionamiento de la bomba (demora de arranque de 1 segundo). **NOTA:** la bomba debe pararse 9 segundos después de la desactivación.

## 14. MANTENIMIENTO

Este equipo "Whale® Gulper IC" se ha diseñado para precisar de un mantenimiento mínimo.

**ADVERTENCIA:** Durante las tareas de mantenimiento, compruebe que la bomba esté desconectada del circuito eléctrico y de las tuberías.

### Consejos para un servicio óptimo

- Compruebe que no haya sustancias residuales en el interior del producto

## Comprobaciones anuales

- Whale® recomienda inspeccionar anualmente si hay fugas u obstrucciones en el sistema de tuberías de la embarcación. También se recomienda inspeccionar el equipo eléctrico de la bomba.
- Antes de inspeccionar o sustituir el diafragma, desconectar la alimentación eléctrica.

## SI LA BOMBA NO FUNCIONA SEGÚN LO PREVISTO:

- Aflojar las abrazaderas de manguera para soltar la bomba de la tubería.
- Desatornillar el anillo de cierre Ezi para liberar el cabezal de la bomba. Al hacerlo se suelta el cabezal de la bomba y se dispone de un fácil acceso a las válvulas y el diafragma.
- El diafragma y las válvulas deben inspeccionarse para comprobar si presentan un desgaste excesivo, daños o grietas. Si es necesario, sustituirlos (kit de servicio AK2050 – sustitución del cabezal de la bomba).

## Limpieza

El Gulper IC debe limpiarse regularmente para garantizar un funcionamiento óptimo y que no se produzcan atascos. **ADVERTENCIA:** no utilizar productos de limpieza abrasivos.

## 15. CONSEJOS ÚTILES

El exclusivo anillo de cierre Ezi facilita la instalación y el mantenimiento de la bomba gracias al tornillo de retención que permite al instalador montar o sustituir el cabezal sin riesgo de que se caigan los tornillos.

## 16. SOLUCIÓN DE PROBLEMAS

PROBLEMA	POSIBLES CAUSAS	POSIBLE SOLUCIÓN
Fusible fundido o conexión eléctrica suelta.	Alimentación de red (interruptor aislante) desactivada o no funciona. Conexión de cableado suelta.	Comprobar si el interruptor aislante está activado
	Circuito de bomba sin alimentación eléctrica.	Comprobar las conexiones eléctricas para verificar que la bomba reciba la alimentación prevista y esté libre de corrosión. Comprobar si en la batería hay una tensión de 12 o 24 V
	Fusible fundido o conexión eléctrica suelta.	Inspeccionar el fusible en línea y comprobar si todas las conexiones eléctricas están bien sujetas y sin corrosión. Si el fusible se ha fundido, comprobar si la polaridad está invertida, si hay válvulas o llaves de paso cerradas o residuos en el cabezal de la bomba y, si es necesario, limpiar a fondo (véase la sección 11). Sustituir el fusible y poner la bomba en marcha
Fallo de cebado: el motor funciona pero la bomba no descarga	Drenaje de ducha o fregadero atascado.	Comprobar y limpiar el drenaje de ducha o fregadero
	Residuos debajo de las chapaletas o posición de asiento incorrecta.	Desactivar los sistemas eléctricos y desconectar las tuberías; comprobar si hay atascos en válvulas y eliminar los residuos
	Fuga de aire en la línea de entrada.	Comprobar si las conexiones de las mangueras son estancas al aire. Abrir el cabezal de la bomba e inspeccionar válvulas y diafragma
	Diafragma de bomba perforado.	Sustituir la pieza dañada con el kit de servicio número AK2082 (véase la sección 14)
	Restricción de flujo en líneas de entrada o descarga	Comprobar que todas las conexiones de mangueras sean estancas al aire y estén libres de atascos y que la manguera no esté obstruida o retorcida

La bomba no se desconecta cuando es necesario	No funcionan el accesorio para aguas grises Grey IC o el interruptor tradicional.	Comprobar si el accesorio IC o el interruptor tradicional funcionan correctamente (véase la sección 13); en caso contrario, sustituir el componente (véase la tabla de especificaciones)
	Interruptor flotador de aguas grises defectuoso o con presencia de residuos.	Limpiar los residuos o sustituir el interruptor flotador
	Tensión de alimentación de la bomba insuficiente.	Comprobar la alimentación eléctrica de la bomba
Flujo bajo	Fuga de aire en la entrada de la bomba.	Comprobar si las conexiones de las mangueras son estancas al aire
	Residuos en el interior de la bomba y las tuberías.	Desactivar los sistemas eléctricos y desconectar las tuberías; comprobar si hay atascos y eliminar los residuos (véase la sección 14)
	Diafragma de bomba perforado.	Sustituir la pieza dañada con el kit de servicio número AK2050 (véase la sección 14)
	Control electrónico defectuoso.	Sustituir la bomba. Si aún no ha vencido el período de garantía especificado, contactar con Whale (véanse los detalles más abajo)

**ADVERTENCIA:** NO desatornillar la sección posterior, ya que las interferencias con el sistema eléctrico interno inutilizarían la bomba (se trata de una parte de la bomba no reparable).

## 17. INVERNAJE

**NOTA:** al realizar el acondicionamiento para el invierno, drenar completamente el sistema. Whale® no puede garantizar los derechos en garantía si el sistema no se drena completamente para el acondicionamiento invernal.

## 18. PATENTES Y MARCAS REGISTRADAS

Whale® y Gulper® es una marca registrada de Munster Simms Engineering Limited (comercialmente denominada). Los productos Gulper® IC de Whale® están protegidos por las siguientes aplicaciones de patente:

P92580GB00

P92043GB00

Deutsch® es una denominación de marca registrada de Deutsch Group.

Santoprene® es una denominación de marca registrada de Advanced Elastomer Systems, LP, una afiliada de Exxonmobil Chemical.

Delrin®, Teflon® y Neoprene son denominaciones de marcas registradas de Dupont Neumeurs y Co.

Monprene® es una denominación de marca registrada de Technore Apex

## 19. DECLARACIÓN DE GARANTÍA

Este producto Whale ® tiene una cobertura de garantía de 3 año. Para obtener más información acerca nuestra declaración de garantía limitada, lea el documento anexo.

Este producto cumple todas las directivas y normas europeas aplicables. Si se necesita más información, póngase en contacto con Whale®.

Para obtener asesoramiento sobre la instalación y el servicio póngase en contacto con el servicio de atención al cliente de Whale®

UK Tel: +44 (0)28 9127 0531

USA Tel: 1 616 897 9241

UK Email: info@whalepumps.com

USA Email: usasales@whalepumps.com

## 20. DECLARACIÓN DE CONFORMIDAD EU, NORMAS Y APROBACIONES

**Declaración del fabricante** - Mediante el presente documento declaramos bajo nuestra exclusiva responsabilidad que el equipo adjunto cumple con las disposiciones de las siguientes directivas de la Unión Europea.

Directiva de Compatibilidad Electromagnética 89/336/CEE, modificada por las directivas 92/31/CEE, y la 93/68/CEE, para la aproximación de las leyes de los Estados miembros relativas a compatibilidad electromagnética.

Directiva de baja tensión 73/23/EEC modificada por 93/68/EEC en la armonización de leyes de los estados miembro relativas a equipos eléctricos diseñados para uso dentro de determinados rangos de tensión.

**Marca CE (sello pegado):** 19/04/10

**Base de la presente declaración de conformidad** - El equipo arriba descrito cumple los requisitos de protección de la Directiva EMC (Compatibilidad electromagnética) y los objetivos de seguridad sobre elementos principales de la Directiva de baja tensión.

### Normas aplicadas

EN60335 - 1:2002 -	Seguridad doméstica y electrodomésticos similares
EN60335 - 2-41:2003 -	Requisitos especiales para bombas
EN55014 - 1:2000 -	Compatibilidad electromagnética. Requisitos para aparatos domésticos, herramientas eléctricas y aparatos similares. Emisiones
EN55014 - 2:1997 -	Compatibilidad electromagnética. Requisitos para aparatos domésticos, herramientas eléctricas y aparatos similares. Inmunidad. Norma de productos familiares

Fecha: 31/05/2010

Richard Bovill  
Director de Ingeniería

©Copyright Whale® 2019. Todos los derechos reservados. Queda prohibida la reproducción total o parcial sin permiso. WHALE® es una marca registrada de Munster Simms Engineering Limited, Bangor, Irlanda del Norte comercializada como Whale. La política de Whale está en continua mejora, por lo que nos reservamos el derecho a modificar las especificaciones sin previo aviso. Las ilustraciones únicamente son orientativas.

La compañía no garantiza la precisión ni la totalidad de la información recogida en esta o en cualquier otra documentación del producto y está sujeta a cambios a su discreción.

## Grävatten byggsats Whale® Gulper IC

Modellnummer	Beskrivning
BP2082B	Whale® Gulper IC - 12 V d.c.
BP2084B	Whale® Gulper IC - 24 V d.c.
SG8284	Gulley IC – grävatten byggsats med Gulley IC - 12 V d.c.
SG8484	Gulley IC – grävatten byggsats med TGulley IC - 24 V d.c.
WM8284	Grey IC – grävatten byggsats med Two Way Manifold IC -12 V d.c.
WM8484	Grey IC – grävatten byggsats med Two Way Manifold IC -24 V d.c.

## INSTALLATIONS- OCH BRUKSANVISNING

Tack för att du har köpt en Whale®-produkt.

Under mer än 70 år har Whale® varit ledande på design och tillverkning av färskvatten- och avloppssystem som bl.a.: pumpar, rör, kranar och duschar för klenspänningsanvändning. Företaget och produkterna har byggt upp ett gott rykte baserat på kvalitet, tillförlitlighet och innovation kombinerat med utmärkt kundservice. För mer information om hela vårt produktutbud, gå till [www.whalepumps.com](http://www.whalepumps.com)

### 1. TYPISK INSTALLATION

Gulper® IC är en högproduktiv avfallspump med inbyggd intelligent styrelektronik som är avsedd för installation som högproduktiv grävattenpump i fritidsbåtar

Den kan installeras på två sätt:-

Alternativ 1- Gulper® IC - grävattenpump med Whale® IC grävattentillbehör (kan köpas separat). Se fig. 1a för Gulley IC tillbehör och fig. 1b för Two Way Manifold IC tillbehör.

Fig. 1a Typisk installation med Gulper® IC som högeffektiv grävattentempump med Gulley IC

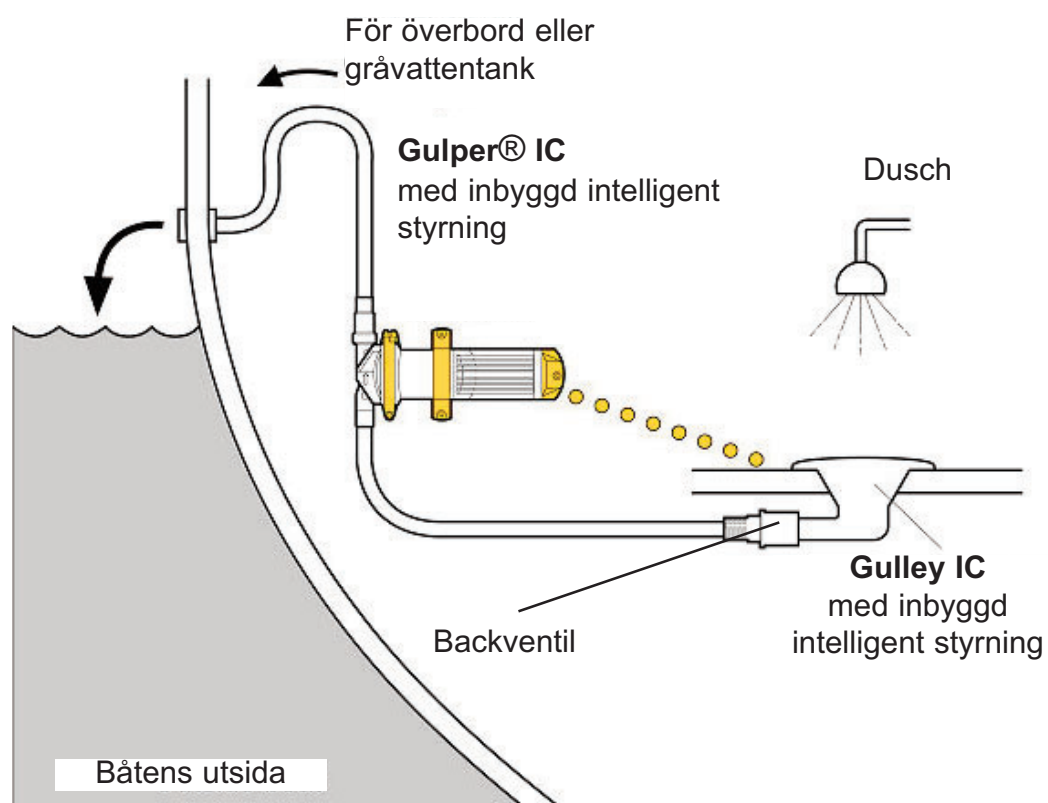
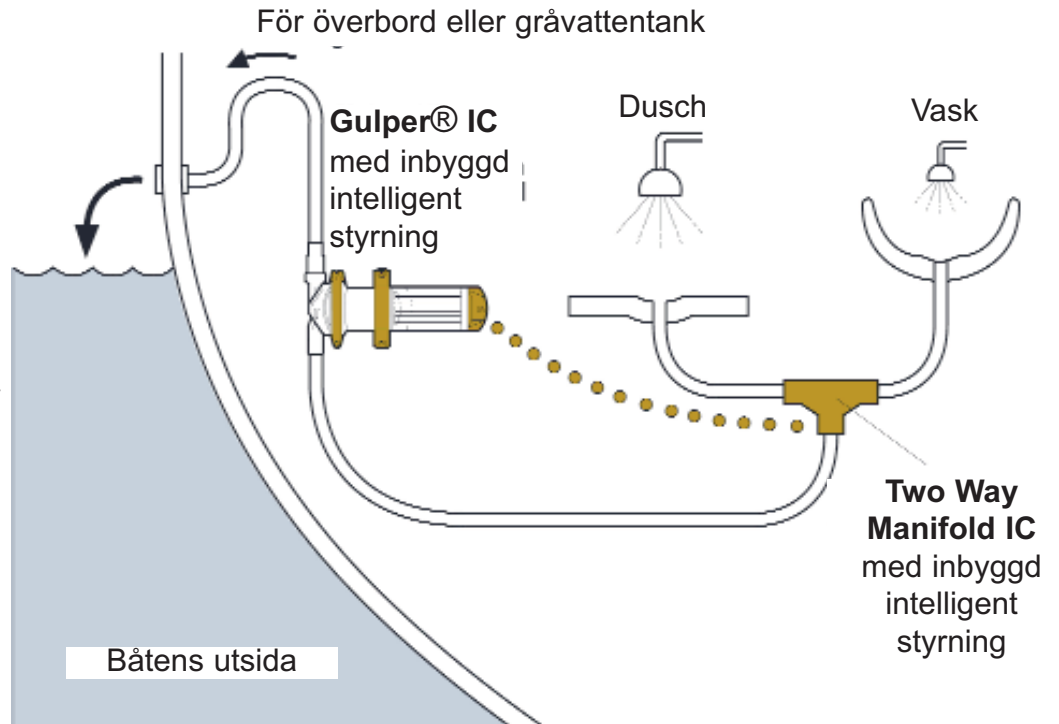
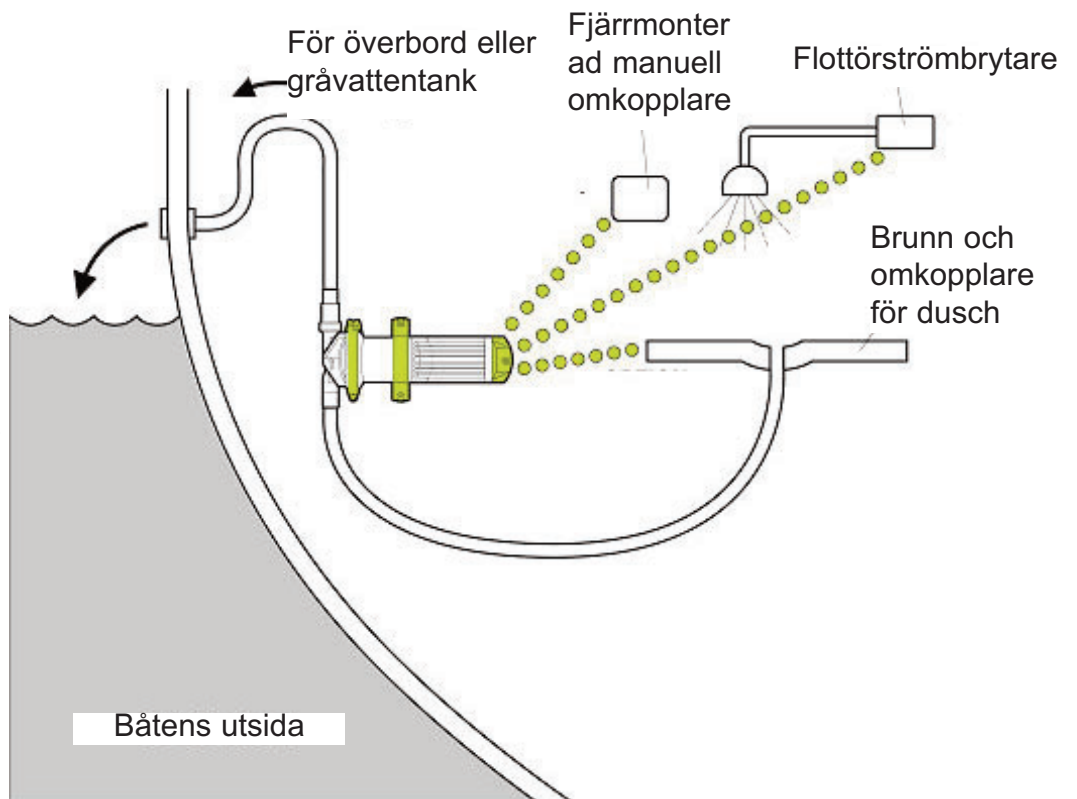


Fig. 1b Typisk installation med Gulper® IC som högeffektiv gråvat-  
tenpump med Two Way  
Manifold IC



Alternativ 2 - Gulper® IC gråvattenpump med gråvattentillbehör som inte kommer från Whale®.

Fig. 2 - Typisk installation med Gulper® IC som högeffektiv gråvat-  
tenpump - med en  
traditionell omkopplare /  
tillbehör som inte  
kommer från Whale®  
IC



## 2. SPECIFIKATION

Modell	Gulper® IC Grävatten Byggsats					
Produktkod	BP2082B	SG8284	WM8284	BP2084B	SG8484	WM8484
Spänning	12 V likström.			24 V likström.		
Spänningsområde	10 v likström till 13.6 V likström			21.6 V likström till 27.2 V likström		
Slanganslutningar	Hullingförsedda anslutningar - antingen 19 mm eller 25 mm					
Rekommenderad säkringsstyrka	10 A			5 A		
Min. ledningstvärsnitt	1.5mm <sup>2</sup> (16 AWG)					
Vikt	1.6 kg	2.6 kg	2.6 kg	1.6 kg	2.6 kg	2.6 kg
Material	<b>Pumphuvud</b> - glasfylld nylon. <b>Ventiler och membran</b> - Santoprene <b>Pumphus</b> - aluminium. <b>Drivhjul</b> - Delrin. <b>Fästen</b> : Rostfritt stål					
Servicesatser	AK2050 - Gulper® pumphuvud för utbyte					
Tillbehör (kan endast köpas separat för BP2082B och BP2084B)	SG3482B - Liten Gulley IC - 2 m kabel SG3484B - Liten Gulley IC -4 m kabel SG1982B - Stor Gulley IC - 2 m kabel SG1984B - Stor Gulley IC - 4 m kabel WM1982B - Two Way Manifold - 2 m kabel, 19 mm öppning WM1984B - Two Way Manifold - 4 m kabel, 19 mm öppning WM2582B - Two Way Manifold - 2 m kabel, 25 mm öppning WM2584B - Two Way Manifold - 4 m kabel, 25 mm öppning WM3882B - Two Way Manifold - 2 m kabel, 38 mm öppning WM3884B - Two Way Manifold - 4 m kabel, 38 mm öppning					
Kontakter	Deutsch-kontakter: Quick Connect-serien 7 vägs AK2081 - Traditionell Deutsch® till två spadkontakter AK2086B - Förlängningskabel 6 m med Deutsch-kontakt					
Max. sugupplyftning (vertikal)	3m					
Max. tömningstryck (vertikalt)	3m					
Max. kombination av tömningstryck och sugupplyftning (vertikal ventil)	4m					
Arbetstidsfördröjningar	1 sekund tillkopplingsfördröjning / 9 sekunder fränkopplingsfördröjning					
Aktuell profil	Mjukstart/mjukstopp					

### PRESTANDADATA

Sugupplyftning	0m	0m	1m	1m
Tömningstryck	1m	1m	1m	1m
Slangstorlek	19mm	25mm	19mm	25mm
Flöde per minut	19 ltrs	17.5 ltrs	17.5 ltrs	15.5 ltrs
Flöde per timme	1140 ltrs	1050 ltrs	1038 ltrs	930 Ltrs
Effektförbrukning (12 V likström)	7.5 amps	8 amps	7.5 amps	8 amps
Effektförbrukning (24 V likström)	3.25 amps	4 amps	3.25 amps	4 amps



**Information** - Kapaciteten beror på installations-och arbetsförhållandena.

Vi strävar efter att ständigt förbättra produkterna och vi förbehåller oss rätten att ändra specifikationer utan förvarning.

### 3. INNEHÅLL OCH SCHEMAN

1.	TYPISK INSTALLATION	12.	RÖRDRAGNING
2.	SPECIFIKATION	13.	ANVÄNDNINGSSINSTRUKTIONER
3.	INNEHÅLL OCH SCHEMAN	14.	UNDERHÅLL
4.	FUNKTIONSPRINCIP	15.	PRAKTISKA RÅD
5.	FÖR ANVÄNDAREN	16.	FELSÖKNING
6.	TILL MONTÖREN	17.	INFÖR VINTERN
7.	ANVÄNDNING	18.	PATENT OCH VARUMÄRKEN
8.	VARNINGAR	19.	GARANTI
9.	DELLISTA	20.	EG-FÖRSÄKRAN OM
10.	EXTRA TILLBEHÖR		OVERENSSTÄMMELSE OCH
11.	INSTALLATION STANDARDER		TYPGODKÄNNANDEN

#### SCHEMAN

Fig 1a	Typisk installation med Gulper® IC som högeffektiv grävattenpump med Gulley IC
Fig 1b	Typisk installation med Gulper® IC som högeffektiv grävattenpump med Two Way Manifold IC
Fig 2	Typisk installation med Gulper® IC som högeffektiv grävattenpump - med en traditionell omkopplare / tillbehör som inte kommer från Whale® IC
Fig 3	Pump orientering
Fig 4	Gulper® installation
Fig 5	Montera P-klämman
Fig 6a	Ledningsdragnings Gulper® IC till Whale® IC tillbehör
Fig 6b	Ledningsdragnings Gulper® IC till traditionell omkopplare - tillbehör som inte kommer från Whale® IC
Fig 7	Anslutning av kopplingskabel genom skott
Fig 8a	Anslut Deutsch®-kontakten
Fig 8b	Anslut adaptern för de två traditionella spadkontaktarna
Fig 9	Fäst rörnätet

### 4. FUNKTIONSPRINCIP

#### IC – intelligent styrningsteknik

I hjärtat av alla Whale® IC-produkter finns en innovativ elektronisk styrkrets. Med hjälp av den kan IC-sensorenheterna kommunicera direkt med IC-pumparna för att styra dem. Enheterna skickar signaler till den inbyggda, smarta programvaran som sedan styr pumparna efter behov.

#### Gulper® IC

Gulper® IC helautomatiska självsugande pump är • för att pumpa avloppsvatten från ett duschgolv/ handfat (antingen överbord eller till en behållare). Kapaciteten beror på installations-och arbetsförhållandena

#### Grävattenenhet - med Whale® IC tillbehör

Om Gulper® IC installeras som en grävattenpump med Whale® IC grävattentillbehör, skickas endast elektriska signaler från Gulley IC eller Two Way Manifold IC om grävatten behöver pumpas ut. (Se fig. 1a och 1b)

#### Med tillbehör som inte kommer från Whale®

Gulper® IC kan även installeras som en grävattenpump tillsammans med tillbehör som inte kommer från Whale. På så sätt kan installatören se till att omkoppling som styrs med svagström förhindrar nedsmältning från starkström. (Se fig. 2)

## 5. FÖR ANVÄNDAREN

Läs följande information noga före installation.

## 6. TILL MONTÖREN

Kontrollera att produkten är lämplig för den avsedda användningen, följ dessa installationsanvisningar och kontrollera att all relevant personal läser punkterna som anges nedan. Kontrollera också att drifanvisningarna överlämnas till slutanvändaren.

## 7. ANVÄNDNING

Gulper® IC är endast utformad för bruk i fritidsbåtar och drivs endast på 12 eller 24 V likström. Om den är avsedd för användning i andra syften eller med andra vätskor är det användarens ansvar att kontrollera att pumpen är lämpad för den användning och då särskilt kontrollera att materialen är helt kompatibla med vätskorna som ska användas. Whale Gulper® IC pump bör inte användas i hemmiljö.

## 8. VARNINGAR

1. Pumpen får inte monteras under vattenlinjen när den är ansluten till ett intag eller uttagom inte systemet har en ventilerad slinga (se fig. 1).
2. Inte lämplig för att pumpa brännbara vätskor som diesel, kemikalier, etc.
3. Pumpen är inte avsedd för nödsituationer.
4. För alla enheter gäller att arbetet med installation, användning och underhåll måste ske säkert. Kontrollera att elförsörjningen är avstängd och att avloppsvattensystemet är tomt före installationen. För säker montering av enheten måste monteringsytan vara minst 19 mm tjock vid montering med bifogade skruvar.
5. **OBS!** Skruva inte direkt i skrovet - enheten måste monteras på ett skott eller på en extra panel.
6. **INFORMATION** - Skruva **INTE** loss den bakre delen eftersom ingrepp i det interna elsystemet gör pumpen olämplig för användning. - Denna del av pumpen är inte brukbar.
7. **WARNING:** Brandrisk. Ledningsdragningen måste uppfylla gällande elektriska standarder och förses med en säkring eller skyddsbrytare med lämplig styrka. Felaktig ledningsdragningskan orsaka en brand och leda till skador eller dödsfall. Stäng av spänningen inför anslutningsarbetet. Informationen om ledningsdragningen är endast avsedd som guide.



För mer information, se USCG-, ABYC- och ISO-bestämmelser för användning i båtar och ledningstvärnsnitt, kontakter och säkringar.

## 9. DELLISTA

Kvantitet 1	Gulper® IC
Kvantitet 3	Nr 8 självgångor och brickor
Kvantitet 1	Inlinesäkringsmontering
Kvantitet 1	Gulley IC eller Two Way Manifold IC (inte ingår BP2082 eller BP2084)

## 10. EXTRA TILLBEHÖR

AK2050 - Gulper® pumphuvud för utbyte  
AK2081 - Traditionell Deutsch® till två spadkontakter  
AK2086B - Förlängningskabel 6 m med Deutsch-kontakt

## 11. INSTALLATION

**INFORMATION:** Felaktig installation upphäver garantin  
Förberedelse - Koppla alltid ur strömkällorna före installation.

### 11.i Placering

- Montera pumpen på ett ställe som är torrt och där det inte finns stående vatten och som är fritt från hinder.
- Montera pumpen med så kort ledningsdraging som möjligt.

### 11.ii Monteringsinstruktioner

- Gulper® IC kan monteras på en horisontell eller vertikal yta
- Se till att pumphuvudet är nederst om den monteras vertikalt (se fig. 3).

**INFORMATION** - Det rekommenderas att uttaget monteras ovanför vattenlinjen och antihävetslingorna monteras där det behövs - se typisk installation (fig. 1)

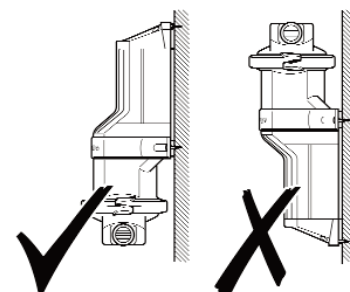


Fig. 3 - Pump orientering

- Vid montering ska pumpen placeras på ytan och arbeta sedan ut de bästa vinklarna för slangen (för att undvika att den snor sig) och markera de 3 positionerna för hålen med pumpfötterna.

**INFORMATION:** Pumphuvudet kan roteras för anpassning till slanganslutningarna. Lossa skruven, justera och se till att membranen är i rätt position. Flytta huvudet till korrekt position (fig. 4) och dra åt skruven

- Borra rikthål (3,2 mm)

**INFORMATION:** Borra inte genom skrovet, se till att pumpen är monterad till ett extra bord eller skott.

- Använd de tre nr 8 självgängorna och brickorna (ingår) för att fästa pumpen.
- Använd en 19 mm eller 25 mm slätborrad förstärkt slang för att ansluta till pumpen med slangklämmor.

**INFORMATION:** Hullingsförsedda anslutningar innebär att man inte behöver skära till inloppets eller utloppets storlek.

**INFORMATION:** Se till att anslutningarna är täta, men överspänn inte låsringarna/skruvarna/slangklämmorna.

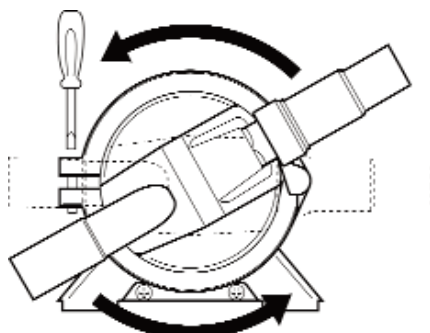


Fig 4 - Gulper® installation

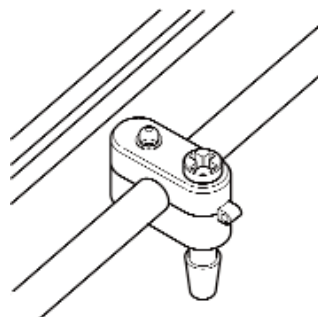


Fig 5 - Montera P-klämman

- Skruva p-klämman mot skottet tills det är ca 100 mm från den bakre kåpan (Fig. 5)

**INFORMATION:** För att fästa enheten säkert, se till att p-klämmans monteringsyta är minst 19 mm tjock.

### 11.iii Elektrisk ledningsdragning

- För installation med Whale® IC tillbehör använd färdigkopplade Deutsch®- kontakter (ingår)
- Om du inte känner till tillämpliga elektriska standarder, ska enheten installeras av en kvalificerad elektriker/tekniker

**VARNING:** Brandrisk. Ledningsdragningen måste uppfylla tillämpliga elstandarder och förses med en säkring eller skyddsbrytare med rätt styrka. Felaktig ledningsdragning kan orsaka en brand och leda till skador eller dödsfall.

**INFORMATION:** Stäng av spänningen inför anslutningsarbetet. Informationen om ledningsdragningen är endast avsedd som guide. För mer information, se USCG-, ABYC- och ISO-bestämmelser för användning i båtar och ledningstvärsnitt, kontakter och säkringar.

### ANSLUTNING AV STRÖMKABLAR

Polerna är markerade med kabelns färg (plus = röd, minus = svart).

Den vita kabeln kan anslutas till ett rinnande ljus som indikerar när systemet är i användning och / eller som en Överskrida brytare.

**INFORMATION** Pumpen är skyddad mot omvänd polanslutning (inlinesäkringen går)

**INFORMATION:** Underdimensionerad tråd i kretsen före pumpen minskar spänningen när pumpen står under belastning, vilket leder till sämre prestanda och potentiella maskinfel.

- Se till att alla strömkablar som installerats har en trådstorlek på minst 1.5mm<sup>2</sup>.
- Vid kontrollen av pumpen måste en isolerad brytare monteras mellan plus anslutningen på batteriet och pluskabeln på pumpen. (Se avsnitt 11 v)

**VARNING** Se till att det inte finns någon risk att snubbla över elektriska kabelslingar.

### 11.iv MONTERING AV SÄKRING

Säkringsklassificering för BP2082B (12V likström) pumpar 10 A automatisk.

Säkringsklassificering för BP2084B (24V likström) pumpar 5 A automatisk.

Inlinesäkringen ska monteras på pumpens plussida. (Se fig. 6)

**SYFTET MED SÄKRINGEN:** Syftet med denna säkring är att skydda pumpen från allvarliga skador om systemet blockeras. Se därför till att alla ventiler är helt öppna innan pumpen används.

Om säkringen går:

- a) Kontrollera att alla ventiler/avstängningskranar är öppna i systemet
- b) Kontrollera att inga in-och utloppsöppningar är blockerade
- c) Kontrollera att resten av systemet inte är blockerat
- d) Kontrollera om det inte finns omvänd polanslutning

## 11.v Kopplingscheman:

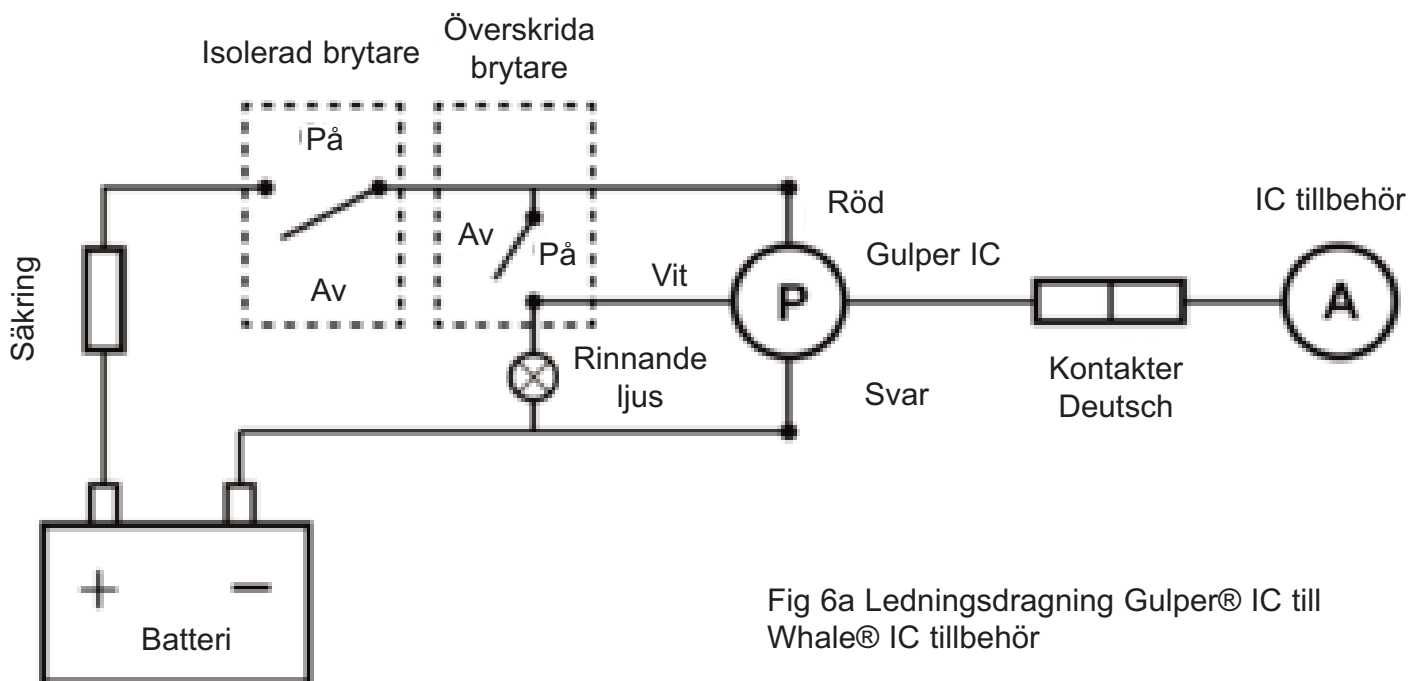


Fig 6a Ledningsdragning Gulper® IC till Whale® IC tillbehör

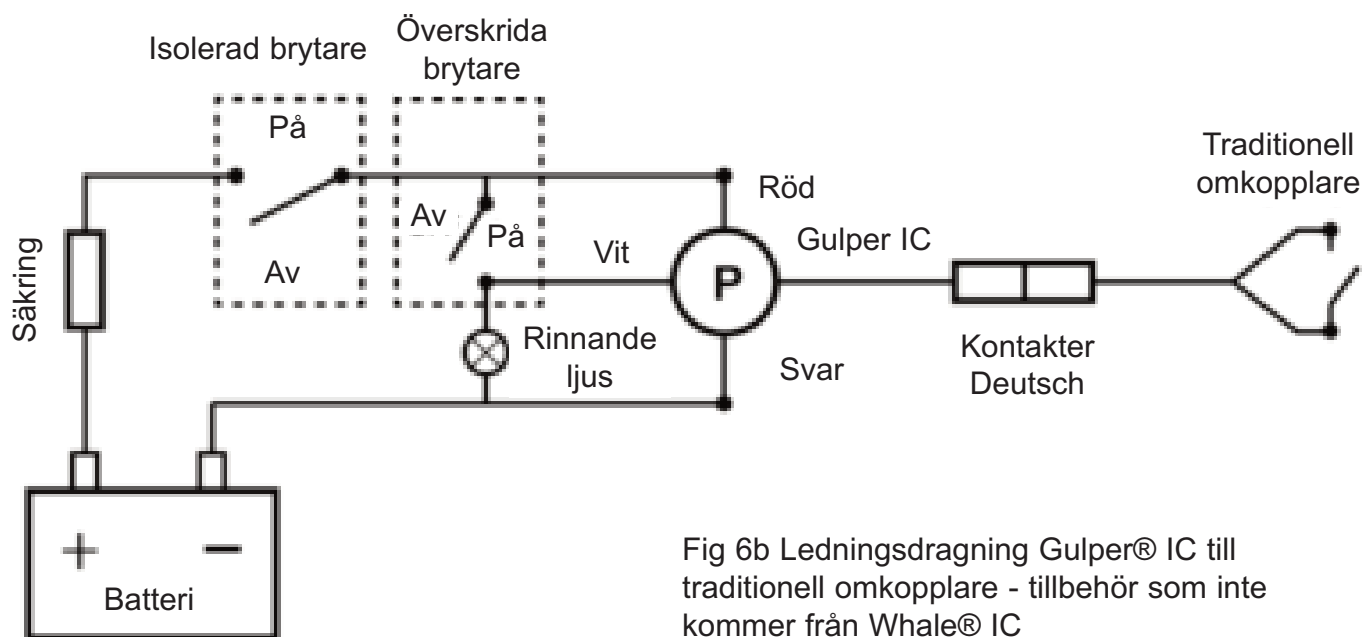
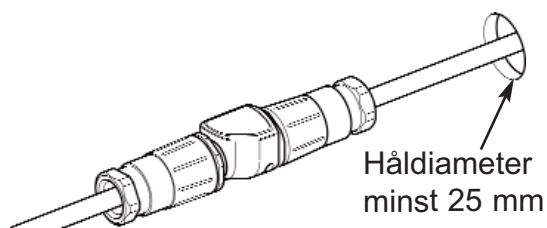


Fig 6b Ledningsdragning Gulper® IC till traditionell omkopplare - tillbehör som inte kommer från Whale® IC

## 11.vi ANSLUTNING AV KOPPLINGSKABEL



Om kopplingskabeln måste monteras genom ett skott, se till att borra ett hål med min. diameter 25 mm.

Fig 7 Anslutning av kopplingskabel genom skott

## 11.vii ANSLUTNING AV GULPER® IC TILL WHALE® IC TILLBEHÖR - GRÅVATTEN OCH LÄNSPUMPAR

Anslut den färdigkopplade Deutsch-kontakten till Gulper® IC och Whale tillbehör

## 11.viii INSTALLATION FÖR GULPER® IC MED TRADITIONELL OMKOPPLARE ELLER TILLBEHÖR SOM INTE KOMMER FRÅN WHALE® IC

Använd adapter AK2081 (kan köpas separat) Deutsch® till två traditionella spadkontakter för att ansluta till fjärrmonterade manuella omkopplare/flödesomkopplare eller brunnomkopplare som inte kommer från Whale® IC .

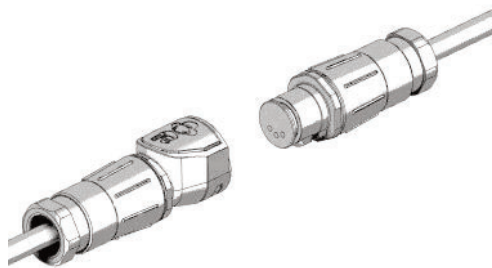


Fig 8a Anslut Deutsch®-kontakten

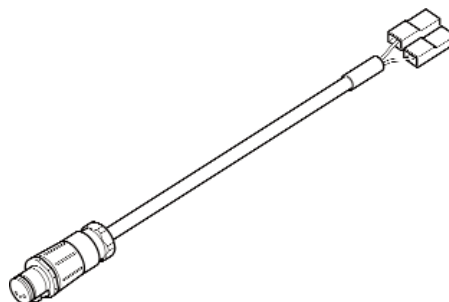
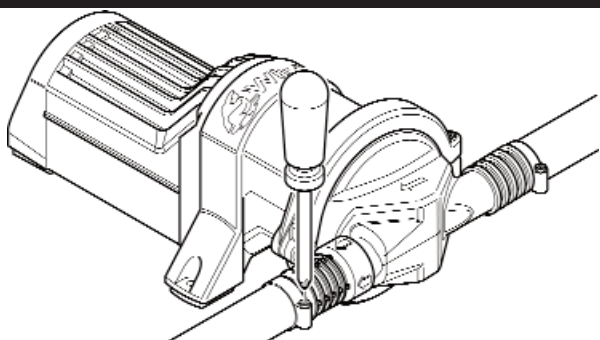


Fig 8b Anslut adaptern för de två traditionella spadkontaktarna

Steg 1 - Anslut Deutsch®-kontakten på Gulper® IC till adaptern

Steg 2 - Anslut adaptern för de två traditionella spadkontaktarna till en traditionell omkopplare eller tillbehör som inte kommer från Whale® IC.

## 12. RÖRDRAGNING



Använd ett 19 mm eller 25 mm slätborrat förstärkt rörnät för att ansluta till pumpen. Fäst rörnätet på in- och utloppet med en skruvväxelslangklämma (fig. 9)

Fig 9 Fäst rörnätet

## 13. ANVÄNDNINGSSINSTRUKTIONER

Kontrollera att pumpinstallationen har testats noga före första användningen.

**INFORMATION** - Alla enheter är automatiska eller halvautomatiska - Se därför till att

den isolerade brytaren är tillslagen. **Lämna inte båten obebaktad när elsystemet är strömförande förutom i en läns pump.**

Gulper® IC med Gulley IC - Sätt på duschen och/eller handfatet för att låta gråvatten rinna genom Gulley IC och kontrollera om pumpen är igång (1 sekund startfördröjning).

**INFORMATION** Pumpen ska stanna 9 sekunder efter deaktivering.

Gulper® IC med Two Way Manifold IC - Sätt på duschen och/eller handfatet för att låta gråvatten rinna genom Two Way Manifold IC och kontrollera om pumpen är igång (1 sekund startfördröjning).

**INFORMATION** Pumpen ska stanna 9 sekunder efter deaktivering.

Om Gulper® IC används med tillbehör som inte kommer från Whale® IC - Aktivera omkopplaren för att kontrollera att pumpen går (1 sekund startfördröjning).

**INFORMATION** Pumpen ska stanna 9 sekunder efter deaktivering.

## 14. UNDERHÅLL

Whale Gulper IC är utformad för minimalt underhåll

**WARNING:** Kontrollera att pumpen är fränkopplad från elförsörjning och rördragningen vid underhåll.

## För optimal drift

- Kontrollera att det inte finns något skräp i pumpen

## Årliga kontroller

- Whale® rekommenderar att båtens rörsystem kontrolleras årligen med avseende på läckor och igensättningar. Även en kontroll av pumpens elsystem rekommenderas.
- Innan membranet kontrolleras eller byts ut måste elförsörjningen stängas av.

## OM PUMPEN INTE GÅR SOM FÖRVÄNTAT:-

- Lossa slangklämmorna för att koppla från pumpen från rördragningen.
- Skruva loss Ezi-klämmans spännring för att lossa pumphuvudet - se fig. 3 – Härigenom frigörs pumphuvudet och det är lätt att komma åt ventilerna och membranet.
- Kontrollera om membranet och ventilerna har onormalt slitage, skador eller sprickor och byt ut vid behov (servicesats AK2050 - pumphuvud för utbyte).

## Rengöring

Gulper IC ska torkas ren med jämna mellanrum för att upprätthålla optimal prestanda och undvika igensättning.

**WARNING:** Använd inte rengöringsmedel med slipmedel.

## 15. PRAKTISKA RÅD

Den unika EZI-klämringen underlättar installation och underhåll av pumpen med en fästskruv som innebär att huvudet kan monteras eller bytas ut enkelt av en montör utan risk för att tappa skruvar.

## 16. FELSÖKNING

PROBLEM	MÖJLIGA ORSAKER	TÄNKBAR LÖSNING
En säkring har gått eller en elanslutning är lös	Huvudströmförsörjningen (isolerad brytare) AV/inte igång. Lossa kabelanslutningen	Kontrollera om den isolerade brytaren är påslagen
	Pumpkretsen har ingen ström.	Kontrollera elanslutningarna för att vara säkra på att pumpen får ström som normalt och inte har korrosion. Kontrollera att det kommer 12/24 volt från batteriet
	En säkring har gått eller en elanslutning är lös	Kontrollera inlinesäkringen och se till att alla elanslutningar sitter ordentligt och inte har korrosion. Kontrollera om polerna kastats om, ventilerna eller bottenkranen är stängda samt om det finns skräp i pumphuvudet och rengör det vid behov om en säkring gått. (Se avsnitt 11) Byt ut säkringen och låt pumpen gå
Inget flöde - motorn går, men ingen pumptömning	Avloppet för dusch/handfat är igensatt	Kontrollera/rengör duschens/handfatets avlopp
	Skräp under klaffventilerna/ventilerna felplacerade	Slå av elen och lossa rördragningen, kontrollera om det finns blockeringar på ventilerna och avlägsna skräpet
	Luftläcka i inloppsledningen	Kontrollera att slanganslutningarna är täta. Öppna pumphuvudet och kontrollera ventiler och membran
	Punkerat pumpmembran	Byt ut den defekta delen med servicesatsen - reservdelsnummer AK2050 (se avsnitt 14)
	Begränsning på intag eller tryckledning	Kontrollera att alla slanganslutningar är täta, inte har några blockeringar och att slangerna inte har knäckts/snott sig

Pumpen stängs inte av när den ska	Grey waste IC tillbehör eller den traditionella omkopplaren fungerar inte	Kontrollera att IC tillbehören eller den traditionella omkopplaren fungerar som den ska (se avsnitt 13), i annat fall ska delen bytas ut (se specifikationstabell)
	Defekt/skräp på gråvattenflottörströmbrytare	Avlägsna defekt/skräp från flottörströmbrytaren
	Otillräcklig spänning till pumpen	Kontrollera spänningsförsörjningen till pumpen
Lågt flöde	Luftläcka på pumpintaget	Kontrollera att slanganslutningarna är täta
	Skräp i pumpen och rördragningen	Slå av elen och lossa rördragningen, kontrollera om det finns blockeringar och avlägsna dessa (se avsnitt 14)
	Punkterat pumpmembran	Byt ut den defekta delen med servicesatsen - reservdelsnummer AK2050 (se avsnitt 14)
	Defekt elektronisk kontroll	Byt ut pumpen. Kontakta Whale om garantin fortfarande är giltig (se uppgifter nedan)

**WARNING:** Skruva INTE loss den bakre delen eftersom ingrepp i det interna elsystemet gör pumpen olämplig för användning. Denna del av pumpen är inte brukbar.

## 17. INFÖR VINTERN

**INFORMATION:** Töm hela systemet vid vinterförvaring

Whale® ger ingen garanti om systemet inte tömts helt vid vinterförvaring

## 18. PATENT OCH VARUMÄRKEN

Whale® / Gulper® är ett registrerat varumärke och ägs av Munster Simms Engineering Limited.

Whale® Gulper® IC produkter är skyddade av följande patent:-

P92580GB00

P92043GB00

Deutsch® är ett registrerat varumärke av Deutsch Group.

Santoprene® är ett registrerat varumärke av Advanced Elastomer Systems, LP, ett dotterbolag till Exxonmobil Chemical.

Delrin®, Teflon® och Neoprene är registrerade varumärken av Dupont Neumeurs och Co.

Monprene® är ett registrerat varumärke av Technore Apex

## 19. GARANTI

Denna produkt från Whale® har 3 års garanti. Se bifogat dokument för information om garantins begränsningar.

Kontakta kundservice på Whale® för installation eller servicerådgivning

UK Tel: +44 (0)28 9127 0531

UK Email: info@whalepumps.com

USA Tel: 1 616 897 9241

USA Email: usasales@whalepumps.com



## 20. EG-FÖRSÄKRAN OM ÖVERENSSTÄMMELSE, STANDARDER OCH TYPGODKÄNNANDEN

Produkten uppfyller alla relevanta EU-direktiv och standarder. Kontrollera Whale® för mer information vid behov.

### Tillverkarens förklaran

Vi förklarar härmed, som ensamt ansvarig, att bifogad utrustning uppfyller kraven i följande EG-direktiv.

Direktivet om elektromagnetisk kompatibilitet 2004/108/EG i medlemsstaternas lagharmonisering gällande elektromagnetisk kompatibilitet.

Lågspänningsdirektivet 73/23/EG med ändringen i 93/68/EG i medlemsstaternas lagharmonisering gällande elektrisk utrustning konstruerad för användning inom ett visst spänningsområde.

**CE-märkt:** 19/04/10

### Tillämpade standarder

EN60335 - 1:2002 -	Elektriska hushållsapparater och liknande bruksföremål - Säkerhet
EN60335 - 2:41:2003 -	Särskilda fordringar på pumpar
EN55014 - 1:2000 -	Elektromagnetisk kompatibilitet. Krav på hushållsmaskiner, elverktyg och liknande bruksföremål. Störning
EN55014 - 2:1997 -	Elektromagnetisk kompatibilitet. Krav på hushållsmaskiner, elverktyg och liknande bruksföremål. Immunitet. Produktfamiljstandard

Datum: 31/05/10

Richard Bovill  
Teknisk chef

©Copyright Whale® 2019 - Med ensamrätt. Mångfaldigande, helt eller delvis, utan tillstånd är förbjudet. WHALE®, är ett registrerat varumärke tillhörande Munster Simms Engineering Limited, Bangor, Nordirland, handelsnamn Whale. Whale:s policy syftar mot fortlöpande förbättringar och vi förbehåller oss rätten att ändra specifikationerna utan föregående varsel. Illustrationerna är endast vägledande.

Företaget garanterar varken exaktheten eller fullständigheten hos informationen i någon produktbroschyr och den kan komma att ändras när som helst.

# ASENNUS- JA KÄYTTÖOPAS

## Harmaaveden tyhjennyssarja, Whale® Gulper IC

**FN**

Mallinumero	Kuvaus
BP2082B	Whale® Gulper IC - 12 V
BP2084B	Whale® Gulper IC - 24 V
SG8284	Harmaaveden tyhjennyssarja, sis. Gulley IC:n - 12 V
SG8484	Harmaaveden tyhjennyssarja, sis. Gulley IC:n - 24 V
WM8284	Harmaaveden tyhjennyssarja, sis. Two Way Manifold IC:n -12 V
WM8484	Harmaaveden tyhjennyssarja, sis. Manifold IC:n -24 V

### ASENNUS- JA KÄYTTÖOHJEET

Kiitos, että ostit tämän Whale®-tuotteen. Whale® on suunnitellut ja valmistanut juomavesi- ja jätevesijärjestelmiä jo yli 70 vuoden kokemuksella. Ratkaisujamme ovat mm.: pumput, viemärit, hanat ja suihkut pienjännitesovelluksiin. Yritys ja sen valmistamat tuotteet tunnetaan laadun, luotettavuuden ja innovatiivisten ratkaisujen lisäksi myös erinomaisesta asiakaspalvelustaan.

Lisätietoja laajasta tuotevalikoimastamme on osoitteessa [www.whalepumps.com](http://www.whalepumps.com)

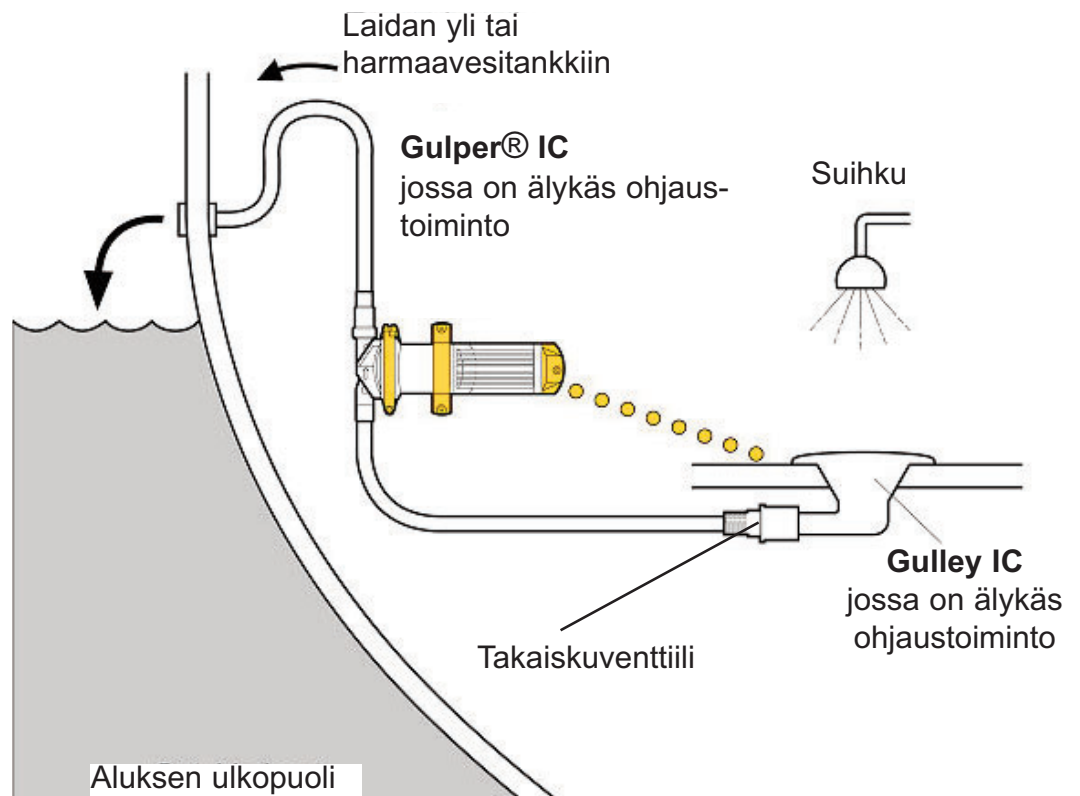
#### 1. TAVALLINEN ASENNUS

Gulper® IC on tehokas tyhjennyspumppu, joka sisältää älykkään ohjauselektroniikan. Pumppu on tarkoitettu käytettäväksi vapaa-ajan aluksissa, ja se tyhjentää pesuvedet tehokkaasti.

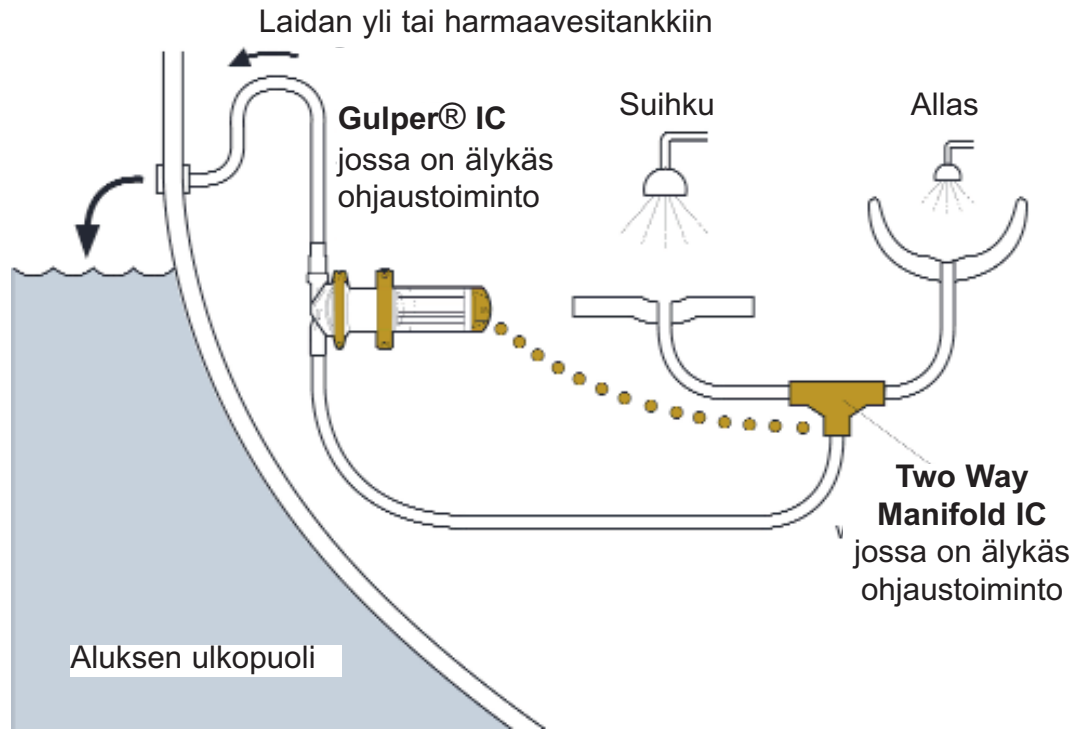
##### Asennusvaihtoehdot:

1. asennustapa – Gulper® IC - harmaaveden tyhjennyspumppu, jossa on Whale® IC -lisäosat (saatavana erikseen). Kuvassa 1a on Gulley IC -lisävaruste ja kuvassa 1b kaksisuuntainen Manifold IC -lisävaruste.

Kuva . 1a Tavallinen asennustapa: tehokas harmaaveden tyhjennyspumppu Gulper®, sisältää Gulley IC:n

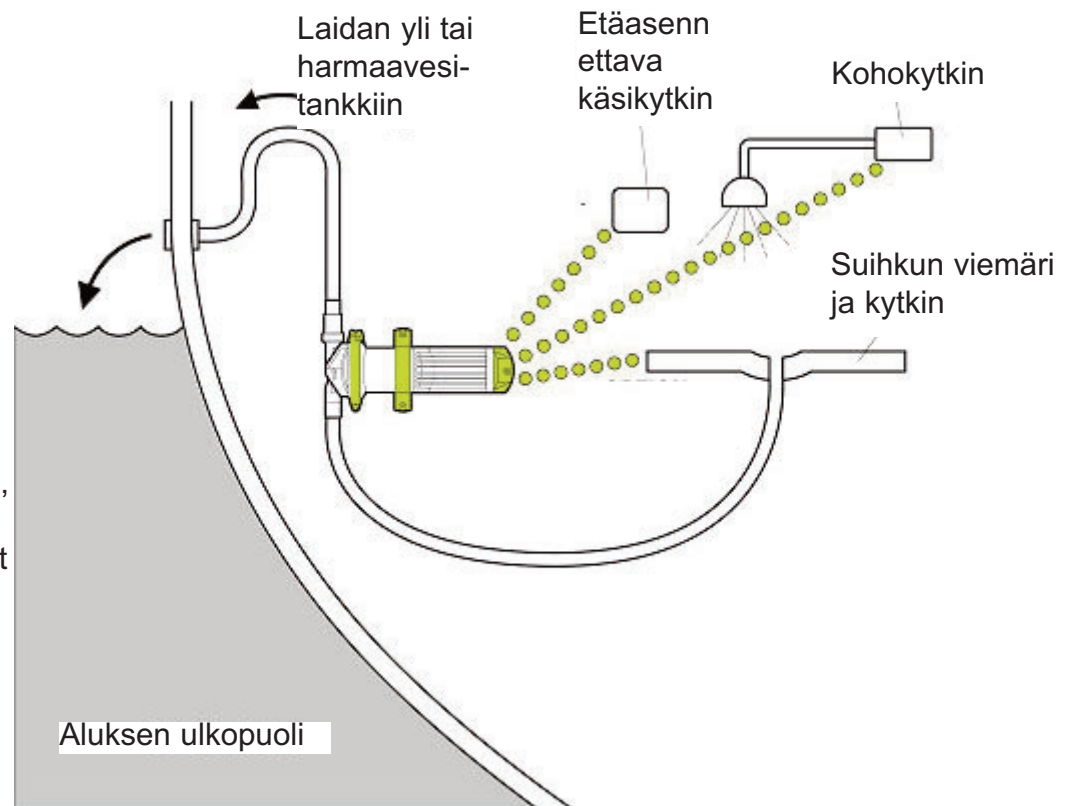


Kuva 1b Tavallinen asennustapa: tehokas harmaaveden tyhjennyspumppu Gulper®, sisältää Two Way Manifold IC:n



2. asennustapa – harmaaveden tyhjennyspumppu Gulper® IC, joka sisältää muut kuin Whale®-lisäosat

Kuva . 2 - Tavallinen asennustapa: tehokas harmaaveden tyhjennyspumppu Gulper® IC, tavallinen kytkin, muut kuin Whale® IC-lisäosat



## 2. TEKNISET TIEDOT

Malli	Gulper® IC / Gulper IC Kits					
Tuotekoodi	BP2082B	SG8284	WM8284	BP2084B	SG8484	WM8484
Jännite	12 V DC			24 V DC		
Jännitealue	10 v DC. - 13.6 V DC.			21.6 V DC. - 27.2 V DC		
Letkuliitokset	Piikkiliittimet – joko 19 mm tai 25 mm					
Suosittelava sulakekoko	10 ampeeria			5 ampeeria		
Pienin johtopaksuus	1.5mm <sup>2</sup> (16 AWG)					
Paino	1.6 kg	2.6 kg	2.6 kg	1.6 kg	2.6 kg	2.6 kg
Materiaalit	<b>Pumpun pää</b> - Lasitäytteinen nailon. <b>Venttiilit ja kalvo</b> - Santoprene <b>Pumpun runko</b> - alumiinia <b>Käyttöpyörä</b> - Delrin. <b>Kiinnikkeet</b> : Ruostumatonta terästä					
Huoltosarjat	AK2050 - Gulper®-pumpun varapää					
Lisävarusteet (saatavana erikseen vain malleihin BP2082B ja BP2084B)	SG3482B - Small Gulley IC - 2 m johto SG3484B - Small Gulley IC - 4 m johto SG1982B - Large Gulley IC - 2 m johto SG1984B - Large Gulley IC - 4 m johto WM1982B - Two Way Manifold - 2 m johto, 19 mm portti WM1984B - Two Way Manifold - 4 m johto, 19 mm portti WM2582B - Two Way Manifold - 2 m johto, 25 mm portti WM2584B - Two Way Manifold - 4 m johto, 25 mm portti WM3882B - Two Way Manifold - 2 m johto, 38 mm portti WM3884B - Two Way Manifold - 4 m johto, 38 mm portti					
Liittimet	Deutsch-liittimet: Pikaliitinsarja, 7 liitostapaa AK2081 -Perinteinen Deutsch® pistoliitimeen AK2086B - Deutsch-liitin Jatkojohto 6 m					
Suurin imukorkeus (pysty)	3m					
Suurin antopaine (pysty)	3m					
Suurin antopaine ja imukorkeus yhteensä (pysty)	4m					
Käyttöajan viiveet	käynnistysviive 1 s. / sammutusviive 9 s.					
Virta	Pehmeäkäynnistys / pehmeäsammutus					

## TEHOTIEDOT

Imukorkeus	0m	0m	1m	1m
Antopaine	1m	1m	1m	1m
Letkukoko	19mm	25mm	19mm	25mm
Virtausnopeus minuutissa	19 ltrs	17.5 ltrs	17.5 ltrs	15.5 ltrs
Virtausnopeus tunnissa	1140 ltrs	1050 ltrs	1038 ltrs	930 Ltrs
Virrankulutus (12 V DC.)	7.5 amps	8 amps	7.5 amps	8 amps
Virrankulutus (24 V DC)	3.25 amps	4 amps	3.25 amps	4 amps

**Tärkeää** - Teho riippuu asennus- ja käyttöolosuhteista.

Whale® parantaa tuotteitaan jatkuvasti, ja siksi pidätämme oikeuden muutoksiin ilman ennakoilmoitusta

### 3. TOIMITUSSISÄLTÖ

- |                                    |                                  |
|------------------------------------|----------------------------------|
| 1. TAVALLINEN ASENNUS              | 12. VIEMÄRÖINTI                  |
| 2. TEKNISET TIEDOT                 | 13. KÄYTTÖOHJEET                 |
| 3. TOIMITUSSISÄLTÖ                 | 14. HUOLTO                       |
| 4. TOIMINTAPERIAATTEET             | 15. VINKKEJÄ                     |
| 5. KÄYTTÄJÄLLE                     | 16. VIANETSINTÄ                  |
| 6. ASENTAJALLE                     | 17. TALVISÄILYTYS                |
| 7. KÄYTTÖTAPA                      | 18. PATENTIT JA TAVARAMERKIT     |
| 8. VAROITUKSET                     | 19. TAKUU                        |
| 9. OSALUETTELO                     | 20. VAATIMUSTENMUKAISUUSVAKUUTUS |
| 10. SAATAVANA OLEVAT LISÄVARUSTEET | (EU:N VAATIMUKSET, STANDARDIT    |
| 11. ASENNUS                        | JA HYVÄKSYNNÄT)                  |

#### Kaaviot

- Kuva 1 Tavallinen asennustapa: tehokas harmaaveden tyhjennyspumppu Gulper®, sisältää Gulley IC:n
- Kuva 1b Tavallinen asennustapa: tehokas harmaaveden tyhjennyspumppu Gulper®, sisältää Two Way Manifold IC:n
- Kuva . 2 Tavallinen asennustapa: tehokas harmaaveden tyhjennyspumppu Gulper® IC, tavallinen kytkin, muut kuin Whale® IC-lisäosat
- Kuva 3 Pumpen kohdistaminen
- Kuva 4 Gulper® asennus
- Kuva 5 Kiinnitä P-kiinnike
- Kuva 6a Gulper® IC:n kytkentä Whale® IC -lisävarusteisiin
- Kuva 6b Gulper® IC:n kytkentä tavalliseen kytkimeen – muun valmistajan lisävarusteisiin
- Kuva 7 Kytkentäjohdon liittäminen laipion läpi
- Kuva 8a Kytke Deutsch®-liitin
- Kuva 8b Liitä sovitti
- Kuva 9 Kiinnitä putket

### 4. TOIMINTAPERIAATTEET

#### IC – Älykäs ohjausteknologia (Intelligent Control)

Jokaiseen Whale® IC -tuotteeseen on asennettu innovatiivinen elektroninen ohjauspiiri.

Lisävarusteina saatavilla IC-antureilla on suora yhteys IC-pumppuihin, ja ne valvovat pumppujen suorituskykyä. Anturit lähettävät signaaleita pumpun sisällä olevaan älykkääseen ohjelmaan, joka ohjaa pumppujen toimintaa.

#### Gulper® IC

Täysautomaattinen ja itsesyöttävä Gulper® IC -pumppu on suunniteltu • pumppaamaan käytetyn veden suihkutusta/altaasta (yli laidan tai säiliöön) . Teho riippuu asennus- ja käyttöolosuhteista.

#### Harmaaveden tyhjennys - Whale® IC -lisävarusteilla

Kun Gulper® IC asennetaan tyhjennyspumppuksi harmaaveden käsittelyyn sopivilla Whale® IC -lisävarusteilla, Gulley IC tai kaksisuuntainen Manifold IC lähettää sähkösignaalit vain, kun pumpattava vesi on harmaavettä. (Katso kuvat 1a ja 1b)

#### Muilla kuin Whale® IC - lisävarusteilla

Gulper® IC voidaan asentaa harmaaveden tyhjennyspumppuksi myös silloin, kun käytetään muiden valmistajien lisävarusteita. Laitteeseen voidaan asentaa heikkovirtakytkin, jolloin suurvirta ei aiheuta oikosulkua. (Katso kuva 2)

## 5. KÄYTTÄJÄLLE

Lue seuraavat ohjeet huolellisesti ennen asennusta.

## 6. ASENTAJALLE

Tarkista, että tuote sopii käyttötarkoitukseen, noudata näitä asennusohjeita ja varmista, että kaikki käyttäjät lukevat alla olevat ohjeet. Toimita nämä käyttöohjeet myös tuotteen loppukäyttäjälle.

## 7. KÄYTTÖTAPA

Gulper® IC soveltuu asennettavaksi vain vapaa-ajan aluksiin, ja sen käyttöjännite on 12 tai 24 V DC. Jos pumppua aiotaan käyttää muuhun tarkoitukseen tai muunlaisen nesteen pumppaamiseen, käyttäjän velvollisuutena on varmistaa, että pumppu sopii käyttötarkoitukseen ja että etenkin pumpun materiaalit sopivat täysin käytettäväksi näiden nesteiden yhteydessä. Whale Gulper® IC -pumppua ei suositella kotitalouksiin.

## 8. VAROITUKSET

1. Tätä pumppua ei saa asentaa vedenpinnan alapuolelle, kun sekytketään tulo- tai poistoliitäntään jos järjestelmä on ilmareiällinen venttiili (katso kuva 1).
2. Ei sovellu helposti syttyvien nesteiden, dieselöljyn, kemikaalien ja muiden vastaavien pumppaamiseen.
3. Tätä pumppua ei ole tarkoitettu vaurioiden testaamiseen.
4. Kaikissa käyttötavoissa on tärkeää varmistaa, että järjestelmän asennuksessa, käytössä ja huollossa noudatetaan turvallisia työtapoja. Ennen asennusta varmista, että sähkövirta on kytketty pois päältä ja että poistovesijärjestelmä on tyhjennetty. Asennusalustan on oltava vähintään 19 mm paksu (kun yksikkö kiinnitetään toimitukseen kuuluvilla ruuveilla), jotta asennus on tukeva.
5. **TÄRKEÄÄ.** Älä ruuvaa yksikköä suoraan runkoon, vaan esim. tukilapiioon tai erityiselle alustalle.
6. **TÄRKEÄÄ - ÄLÄ** ruuvaa takaosaa irti, sillä pumppu on käyttökelvoton, jos sen sisäpuolella oleviin sähköosiin on koskettu. - Tätä osaa pumpusta ei voida huoltaa.
7. **VAROITUS:** Palovaara. Johtokytkentöjen on vastattava voimassa olevia standardeja ja niissä on oltava oikein mitoitettut sulakkeet tai virrankatkaisija. Väärä johdotus saattaa sytyttää tulipalon, joka voi johtaa vammautumiseen tai kuolemaan. Kytke virta pois päältä kytkentöjen ajaksi. Kytkentämalli on suuntaa-antava ehdotus.



Katso lisätietoja USCG-, ABYC- ja ISO-määräyksistä, jotka koskevat merisovelluksia sekä johtoja, liittimiä ja sulakkeita.

## 9. OSALUETTELO

Määrä 1	Gulper® IC
Määrä 3	Nro 8 peltiruuvit ja aluslevyt
Määrä 1	Sulakkeet
Määrä 3	Gulley IC tai Two Way Manifold IC (eivät sisälly BP2082 tai BP2084)

## 10. SAATAVANA OLEVAT LISÄVARUSTEET

AK2050 - Gulper-pumpun varapää  
AK2081 - Perinteinen Deutsch® pistoliitimeen  
AK2086B - Deutsch-liitin Jatkojohto 6 m

## 11. ASENNUS

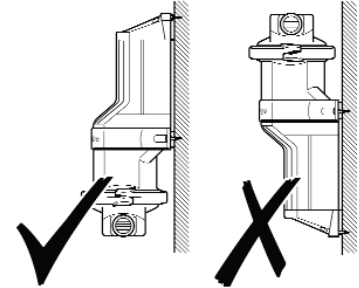
**TÄRKEÄÄ:** jos laite on asennettu virheellisesti, takuu raukeaa  
Valmistelut - Sammuta kaikki virtalähteet aina ennen asennusta.

### 11.i Asennuspaikka

- Asenna pumppu kuivaan paikkaan, kauas seisovasta vedestä ja muista esteistä.
- Asenna sellaiseen asentoon, että putket ovat mahdollisimman lyhyet.

### 11.ii Asennusohjeet - Gulper® IC

- Gulper® IC voidaan asentaa vaaka- tai pystysuoralle alustalle  
Pystysuorassa asennuksessa varmista, että pumpun pää on alimpana (katso kuva 3).



Kuva 3 - Pumpun kohdistaminen

**TÄRKEÄÄ** - Poistoliitäntä kannattaa asentaa vedenpinnan yläpuolelle, ja takaiskuventtiilit kannattaa asentaa aina kun mahdollista. Katso tavallinen asennus (kuva 1)

- Pidä pumppu asennuksen aikana alustalla, ja kokeile, mikä on letkulle paras asento (ettei se jää taitteelle). Merkitse 3 reiän paikkaa pumpun tuen avulla.

**TÄRKEÄÄ:** Pumpun päätä voi kääntää letkuliitännöjen mukaan. Avaa ruuvia, käännä ja varmista samalla, että kalvo pysyy paikallaan. Käännä pumpun pää sopivaan asentoon (kuva 4) ja kiristä ruuvi

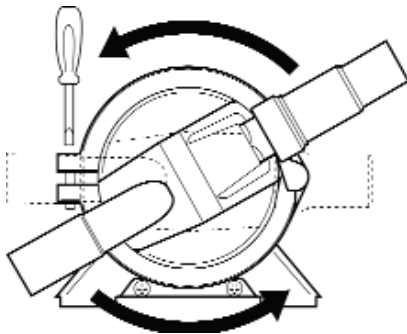
- Poraa 3,2 mm ohjausreiät

**TÄRKEÄÄ:** Älä poraa rungon läpi, ja varmista, että pumppu on asennettu asennuslevylle tai laipioon.

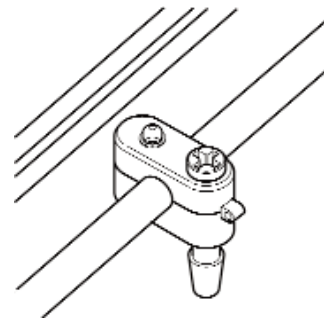
- Kiinnitä pumppu kolmella nro 8 peltiruuvilla ja aluslevyllä (sis. toimitukseen).
- Kytke pumppuun 19 mm tai 25 mm sileä panssariletku ja kiristä letkunkiinnikkeet.

**TÄRKEÄÄ:** Piikkiliitännöjen ansiosta tulo- ja poistoliitäntöjä ei tarvitse leikata kokoon.

**TÄRKEÄÄ:** Kiristä liitokset, mutta älä kiristä renkaita/ruuveja/letkunkiinnikkeitä liian kireälle



Kuva 4 - Gulper® asennus



Kuva 5 - Kiinnitä P-kiinnike

- Ruuvaa P-kiinnike laipioon niin, että se on noin 100 mm päässä rungon takaosasta (kuva 5).

**TÄRKEÄÄ:** Jotta asennus on tukeva, P-kiinnikkeen asennusalustan on oltava vähintään 19 mm paksu.

### 11.iii Sähkökytkennät

- Jos asennuksessa käytetään Whale® IC -lisävarusteita, käytä valmiiksi johdotettuja Deutsch®-liittimiä, jotka kuuluvat toimitukseen
- Jos et tunne voimassa olevia sähköstandardeja, laitteen saa asentaa vain ammattitaitoinen sähköasentaja.

**VAROITUS:** Palovaara. Johtokytkentöjen on vastattava voimassa olevia standardeja ja niissä on oltava oikein mitoitettu sulake tai virrankatkaisija. Väärä johdotus saattaa sytyttää tulipalon, joka voi johtaa vammautumiseen tai kuolemaan.

**TÄRKEÄÄ:** Kytke virta pois päältä ennen kytkentöjen tekemistä. Kytkentämalli on suuntaa-antava ehdotus. Katso lisätietoja USCG-, ABYC- ja ISO-määräyksistä, jotka koskevat merisovelluksia sekä johtoja, liittimiä ja sulakkeita.

### VIRTAJOHTOJEN KYTKENTÄ

Johdon väri ilmoittaa napaisuuden (positiivinen - punainen, negatiivinen - musta).

Valkoinen johdin voidaan liittää käynnissä valoa ilmoittamaan, kun järjestelmä on käytössä ja / tai manuaalinen ohituskytkin.

**TÄRKEÄÄ** Pumpun suojaus toiminto suojaa sitä virheellisen napaisuuskytkennän varalta (sulake palaa)

**TÄRKEÄÄ:** Jos pumpun edellä olevassa piirissä on alimitoitettu johto, pumppu pienentää jännitettä ollessaan jännitteinen. Tällöin teho heikkenee ja moottori saattaa sammua.

- Varmista, että kaikkien asennettujen sähköjohtojen lankapaksuus on vähintään 1,5 mm<sup>2</sup>.
- Pumpun ohjausta varten akun positiivisen navan ja pumpun positiivisen johdon väliin on asennettava eristyskytkin. (Katso kohta 11 v)

**VAROITUS** Kerää ylimääräinen sähköjohto pois tieltä, jotta siihen ei voi kompastua.

### 11.iv SULAKKEEN ASENNUS

Mallin BP2082B (12 V DC) pumpuissa käytetään 10 ampeerin autosulakkeita.

Mallin BP2084B (24 V DC) pumpuissa käytetään 5 ampeerin autosulakkeita.

Toimitukseen kuuluvat sulakkeet on asennettava pumpun positiiviselle puolelle. (katso kuva 6)

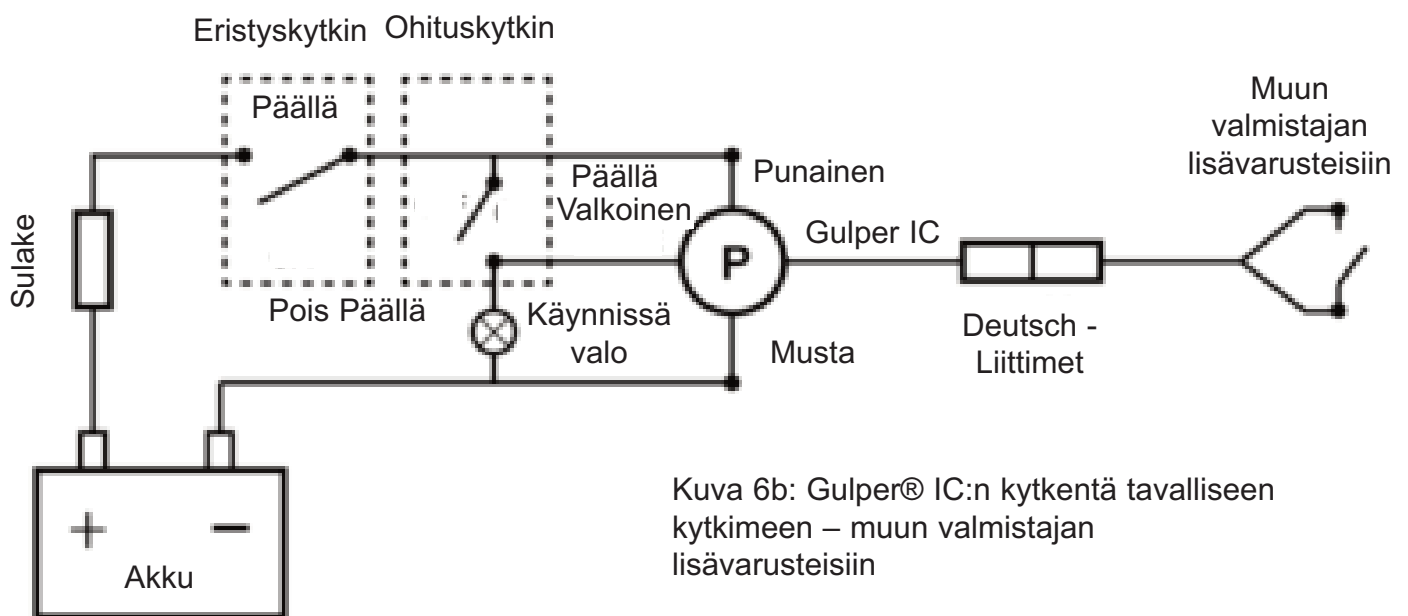
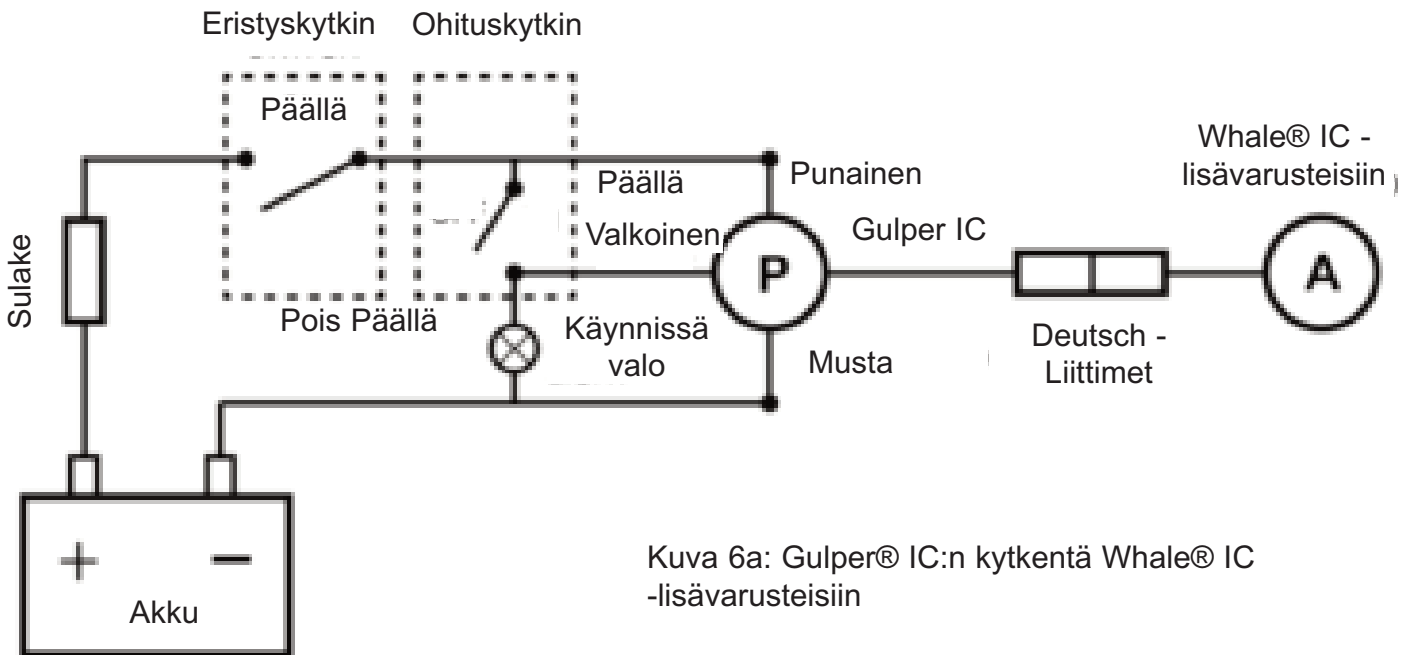
**SULAKKEEN TEHTÄVÄ:** Sulake suojaa pumppua vakavilta vaurioilta, jos järjestelmä menee oikosulkuun. Siksi kaikkien venttiilien on oltava täysin auki ennen pumpun käyttöä.

Jos sulake palaa:

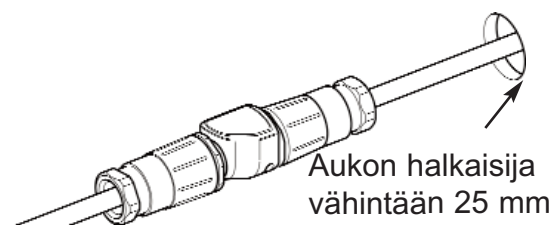
- a) Tarkista, että kaikki järjestelmän venttiilit ja sulkuhanat ovat auki
- b) Tarkista, että tulo- ja lähtöaukoissa ei ole tukoksia
- b) Tarkista, että muissa järjestelmän osissa ei ole tukoksia
- d) Varmista, että navat on kytketty oikein



## 11.v KytKentäkaaviot:



## 11.vi KYTKENTÄJOHDON LIITÄNTÄ



Jos kytKentäjohto asennetaan laipion läpi, poraa sitä varten vähintään 25 mm aukko.

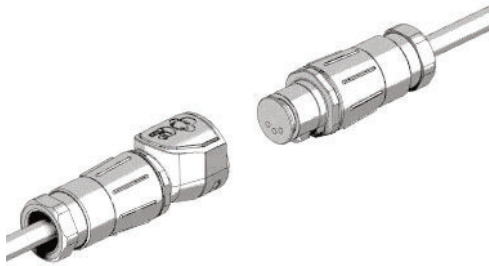
Kuva 7 - KytKentäjohtojen liittäminen laipion läpi

## 11.vii GULPER® IC:N KYTKENTÄ WHALE® IC-LISÄVARUSTEISIIN – HARMAAVESI- JA PILSSISOVELLUKSET

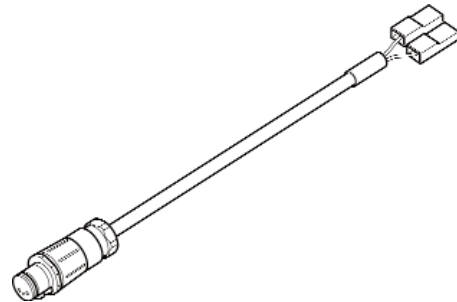
Kytke valmiiksi johdotetut Deutsch®-liittimet Gulper® IC:hen ja Whale-lisävarusteisiin

## 11.viii GULPER® IC:N KYTKENTÄ TAVALLISEEN KYTKIMEEN TAI MUUN KUIN WHALEN® VALMISTAMIIN IC -LISÄVARUSTEISIIN

Liitä johtosovitin AK2081 (saatavana erikseen) Deutsch® tavalliseen 2-pistoliittimeen, jos kytketään muun kuin Whalen® valmistamaa IC:n etäasennettua käsikytkintä/ virtauskytkintä/ poistokytkintä.



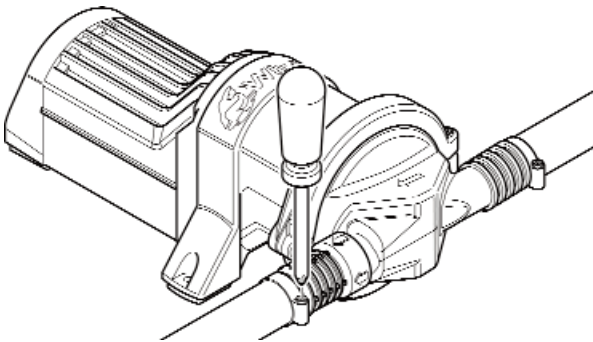
Kuva 8a - Kytke Deutsch®-liitin



Kuva 8b - Liitä sovitti

1. vaihe - Kytke Gulper® IC:n Deutsch®-liitin sovittimeen
2. vaihe - Liitä sovittimen tavalliset 2-pistoliittimet tavalliseen kytkimeen tai muun kuin Whalen® valmistamaan IC-lisävarusteeseen.

## 12. VIEMÄRÖINTI



Kytke pumppuun 19 mm tai 25 mm sileä panssariletku.  
Kiinnitä putki tulo- ja poistoaukkoon ruuvattavalla letkunkiinnikkeellä (kuva 9)

Kuva 9 : Kiinnitä putket

## 13. KÄYTTÖOHJEET

Tarkista pumpun asennus huolellisesti ennen ensimmäistä käyttökertaa.

**TÄRKEÄÄ** - Nämä kaikki ovat automaattisia tai puoliautomaattisia sovelluksia.

Varmista, että eristyskytkin on päällä. **Älä jätä alusta vartioimatta, kun sähköjärjestelmä on päällä, paitsi pilssityhjennyksen ajaksi.**

Gulper® IC ja kaksisuuntainen Gulley IC - Avaa suihku tai allas niin, että harmaavesi juoksee kaksisuuntaisen Gulley IC:n läpi ja tarkista, että pumppu toimii (1 sekunnin käynnistysviive).

**TÄRKEÄÄ** Pumpun pitäisi sammua 9 sekunnin kuluessa sammuttamisesta.

Gulper® IC ja kaksisuuntainen Manifold IC - Avaa suihku tai allas niin, että harmaavesi juoksee kaksisuuntaisen Manifold IC:n läpi ja tarkista, että pumppu toimii (1 sekunnin käynnistysviive).

**TÄRKEÄÄ** Pumpun pitäisi sammua 9 sekunnin kuluessa sammuttamisesta.

Gulper® IC - käytössä muun kuin Whalen® valmistamat IC-lisävarusteet - Käytä kytkintä ja tarkista pumpun toiminta (1 sekunnin käynnistysviive).

**TÄRKEÄÄ** Pumpun pitäisi sammua 9 sekunnin kuluessa sammuttamisesta.

## 14. HUOLTO

Tämä Whale® Gulper IC -pumppu vaatii vain vähän huoltotoimenpiteitä.

**VAROITUS:** Kytke pumppu irti virransyötöstä ja viemäröinnistä huollon ajaksi.

## Suorituskyvyn parantaminen

- Tarkista, että pumpussa ei ole likaa.

## Vuositarkistus

- Whale® suosittelee, että aluksen viemäröintijärjestelmä tarkistetaan joka vuosi mahdollisten vuotojen ja tukkeutumien löytämiseksi. Myös pumpu kannattaa tarkistaa.
- Sammuta virta ennen kalvon tarkistusta tai vaihtoa.

## JOS PUMPPU EI TOIMI KUTEN PITÄISI:

- Avaa letkunkiinnikkeitä ja irrota pumpu putkista.
- Ruuvaa Ezi-kiinnikkeen kiristysrengas ja irrota pumpun pää - katso kuva 4. Nyt pumpun pää irtaava, ja venttiileihin ja kalvoon päästään käsiksi.
- Tarkista, että kalvo ja venttiilit eivät ole kuluneet, vaurioituneet tai säröilleet. Tarvittaessa vaihda ne (korjaussarja AK2050 - pumpun varapää).

## Puhdistus

Pyyhi Bilge IC puhtaaksi säännöllisesti. Näin sen suorituskyky säilyy hyvänä, eikä pumpu tukkiudu. **VAROITUS:** Älä käytä hankaavia puhdistusvälineitä

## 15. VINKKEJÄ

Erikoinen Ezi-kiinnitysrengas helpottaa pumpun asennusta ja huoltoa kiinnitysruuvien avulla. Yksi henkilö voi asentaa tai vaihtaa pumpun pään helposti, eivätkä ruuvit pääse tippumaan.

## 16. VIANETSINTÄ

ONGELMA	MAHDOLLISET SYYT	KOKEILE TÄTÄ
Sulake on palanut tai väljä sähkökytkentä	Virran pääkytkin (eristyskytkin) on POIS päältä / ei toimi. Johtoliitäntä on väljä.	Tarkista, että eristyskytkin on päällä
	Pumpun piiriin ei tule virtaa.	Tarkista sähkökytkennät ja varmista, että pumppuun tulee virta normaalisti eikä se ole ruostunut. Tarkista, että akku antaa 12/24 V:n jännitteen
	Sulake on palanut tai väljä sähkökytkentä	Tarkista sulakkeet ja varmista, että kaikki sähkökytkennät ovat tiukalla ja niissä ei ole ruostetta. Jos sulake on palanut, tarkista onko napaisuus väärin tai ovatko venttiilit tai pohjahanat kiinni. Tarkista sitten, onko pumpun päässä likaa ja puhdista tarvittaessa (Katso kohta 11). Vaihda sulake ja käynnistä pumpu
Siemenvettä ei ole - Moottori toimii, mutta pumpusta ei tule vettä	Suihkun/altaan viemäri on tukossa	Tarkista/puhdista suihkun/altaan viemäri
	Läppäventtiilien alla on likaa tai ne ovat väärin paikoillaan	Sammuta virta ja irrota putkiston takaiskuventtiilit, tutki tukokset ja puhdista lika
	Tuloletkussa ilmavuoto	Tarkista, ovatko letkuliitännät ilmatiiviitä. Avaa pumpun pää ja tarkista venttiilit ja kalvo
	Pumpun kalvossa on reikä	Vaihda vaurioitunut osa korjaussarjasta - osanumero AK2050 (katso kohta 14)
	Tulo tai poisto ei toimi täysin	Tarkista, että kaikki letkuliitännät ovat ilmatiiviitä, että niissä ei ole tukoksia ja että letku ei ole litistyksissä tai taittunut

Pumppu ei sammu	Harmaaveden IC-lisävaruste tai tavallinen kytkin ei toimi	Tarkista, että IC-lisävaruste tai tavallinen kytkin toimii oikein (katso kohta 13). Muussa tapauksessa vaihda osa (katso taulukko)
	Harmaaveden kohokytkin ei toimi tai on likainen	Puhdista/vaihda kohokytkin
	Pumppuun ei tule riittävää jännitettä.	Tarkista pumpun virransyöttö
Pieni virtaus	Pumpun tulossa ilmavuoto	Tarkista, ovatko letkuliitännät ilmatiiviitä
	Pumpun sisässä ja putkissa on likaa	Sammuta virta ja irrota putket, tutki tukokset ja puhdista lika (katso kohta 14)
	Pumpun kalvossa on reikä	Vaihda vaurioitunut osa korjaussarjasta - osanumero AK2050 (katso kohta 14)
	Sähköohjaus ei toimi	Vaihda pumppu. Jos takuu on voimassa, ota yhteys Whaleen (ks. yhteystiedot alla)

**VAROITUS:** ÄLÄ ruuvaa takaosaa irti, sillä pumppu on käyttökelvoton, jos sen sisäpuolella oleviin sähköosiin on koskettu. Tätä osaa pumpusta ei voida huoltaa

## 17. TALVISÄILYTYS

**TÄRKEÄÄ:** Tyhjennä järjestelmä kokonaan ennen talvisäilytystä

Whale®-takuu ei kata tapauksia, joissa järjestelmää ei ole tyhjennetty kokonaan ennen talvisäilytystä

## 18. PATENTIT JA TAVARAMERKIT

Whale® / Gulper® on Munster Simms Engineering limitedin rekisteröimä tavaramerkki.

Whale® Gulper® IC -tuotteet on suojattu seuraavalla patentilla:

P92580GB00

P92043GB00

Deutsch on Deutsch Group tytäryhtiön rekisteröimä tavaramerkki.

Santoprene® on Advanced Elastomer Systemsin, LP, Exxonmobil Chemicalin tytäryhtiön rekisteröimä tavaramerkki.

Delrin®, Teflon® ja Neoprene ovat Dupont Neumeurs and Co:n rekisteröimiä tavaramerkkejä.

Monprene® on Technore Apexin rekisteröimä tavaramerkki.

## 19. TAKUU

Tällä Whale®-tuotteella on 3 vuoden takuu. Rajoitetun takuun ehdot ovat oheisessa asiakirjassa

Whale®-asiakaspalvelusta saat asennukseen ja huoltoon liittyviä lisätietoja.

UK Tel: +44 (0)28 9127 0531

USA Tel: 1 616 897 9241

UK Email: info@whalepumps.com

USA Email: usasales@whalepumps.com

## 20. VAATIMUSTENMUKAISUUSVAKUUTUS (EU:N VAATIMUKSET, STANDARDIT JA HYVÄKSYNNÄT)

Tämä tuote täyttää kaikkien olennaisten eurooppalaisten direktiivien ja standardien vaatimukset. Whale® antaa tarvittaessa lisätietoja

### Valmistajan vakuutus

Täten vakuutamme täysin omalla vastuullamme, että tämä laite on seuraavien EUDirektiivien vaatimusten mukainen.

EMC-direktiivi 89/336/EY, muutokset 92/31/EY ja 93/68/EY jäsenvaltioiden sähkömagneettista yhteensopivuutta koskevien lakien mukaisesti.

Pienjännitedirektiivi 73/23/EY ja 93/68/EY tietyllä jännitealueella toimivia sähkölaitteita koskien jäsenvaltioiden lähennetyin lainsäädännön mukaisesti.

**CE-merkintä kiinnitetty** 19/04/10

### Vaatimustenmukaisuuden perusteet

Edellä oleva laite on EMC-direktiivin suojausmääräysten ja pienjännitedirektiivin tärkeimpien turvallisuusmääräysten mukainen.

### Käytetyt standardit

EN60335 - 1:2002 -	Kodinkoneiden ja muiden vastaavien sähkölaitteiden turvallisuus
EN60335 - 2:41:2003 -	Erytisvaatimukset pumpuille
EN55014 - 1:2000 -	Sähkömagneettinen yhteensopivuus. Vaatimukset kodinkoneille, sähkötyökaluille ja vastaaville laitteille. Päästöt
EN55014 - 2:1997 -	Sähkömagneettinen yhteensopivuus. Vaatimukset kodinkoneille, sähkötyökaluille ja vastaaville laitteille. Immunitetti.
	Tuoteperhestandardi

Päivämäärä: 31/05/2010

Richard Bovill  
Tekniikkapäällikkö

©Copyright Whale 2019 - Kaikki oikeudet pidätetään. Kopiointi kokonaan tai osittain ilman lupaa on kielletty. WHALE® on Munster Simms Engineering Limited, Bangor, Northern Ireland (kauppanimi Whale) rekisteröimä tuotemerkki. Whale-yhtiön jatkuvan tuotekehityksen johdosta pidätämme oikeuden teknisten tietojen muutoksiin ilman ennakoilmoitusta. Kuvat ovat vain ohjeellisia.

Yhtiö ei takaa tässä tai muissa tuote-esitteissä olevien tietojen täydellisyyttä tai tarkkuutta, jonka lisäksi yhtiö pidättää oikeuden muuttaa tietoja oman harkintansa mukaisesti.







Ref: 180.137\_v7\_0619\_sr\_db

Munster Simms Engineering Ltd.  
2 Enterprise Road, Bangor, N. Ireland BT19 7TA  
Tel: +44 (0)28 9127 0531  
Web: [www.whalepumps.com](http://www.whalepumps.com) Email: [info@whalepumps.com](mailto:info@whalepumps.com)

Whale Support USA  
USA Tel: 1 616 897 9241  
Web: [www.whalepumps.com](http://www.whalepumps.com) Email: [usasales@whalepumps.com](mailto:usasales@whalepumps.com)