



Whale Twist™ Deck Shower

whalepumps.com



ENGLISH Whale Twist® Deck Shower	2
FRANCAIS Douchette De Pont Whale Twist®	12
ITALIANO Doccia In Pozzetto Whale Twist®	22
ESPAÑOL Ducha de Cubierta Whale Twist®	32
DEUTSCH Whale Twist® Deck-Dusche	42
SWEDISH Whale Twist® Deck Shower	52
SUOMI Whale Twist® Kansisuihku	62

Thank you for purchasing this Whale product.

For over 70 years Whale has led the way in the design and manufacture of freshwater and waste systems including:- plumbing, faucets, showers and pumps for low voltage applications. The company and its products have built a reputation for quality, reliability and innovation backed up by excellent customer service. For information on our full product range visit: www.whalepumps.com

1. SPECIFICATION

Model	Model Type	Colour	Holder (Material)	Hose Size	
DS0003B	Mixer	Blue and white	Straight (chrome)	2.5m (8.2ft)	
DS0004B			Angled (white)		
DS0005	Cold Only	Grey and white	Straight (chrome) and Angled (white)	2.1m (6.9ft)	
DS0006	Mixer		Straight (chrome) Angled (white)	2.5m (8.2ft)	
DS0013B					
DS0014B					
DS0211B	Cold Only		Black and white	Straight (chrome)	2.1m (6.9ft)
DS0212B				Angled (white)	
DS0213B		Angled (black)			
DS0411B	Mixer	Grey and white	Straight (chrome)	4m (13.1ft)	
DS0412B			Angled (white)		
DS0413B			Straight (chrome)		
DS0414B			Angled (white)		

2. CONTENTS

1. Specification
2. Contents
3. To the User
4. To the Fitter
5. Principles of Operation
6. Application
7. Warnings
8. Parts list: Straight Housing Option
9. Installation: Straight Housing Option
10. Parts list: Angled Housing Option
11. Installation: Angled Housing Option
12. Plumbing - All models
13. Maintenance
14. Instructions for use
15. Trouble Shooting
16. Winterizing
17. Service Support Details
18. Patents and Trademarks

List of diagrams

Fig 1 Straight Housing - Complete product	Fig 10 Angled Housing - Tighten screws
Fig 2 Straight Housing - Width and height	Fig 11 Angled Housing - Screw covers
Fig 3 Straight Housing - Drill hole	Fig 12 Angled Housing - Insert hose
Fig 4a Straight Housing - Insert housing	Fig 13a Plumbing - Mixer models
Fig 4b Straight Housing - Secure locking nut	Fig 13b Fitting plumbing – Mixer models
Fig 5 Straight Housing - Insert hose	Fig 14 Plumbing and hose installed
Fig 6 Angled Housing - Complete product	Fig 15 Plumbing connection - Cold models
Fig 7 Angled Housing - Width and height	Fig 16 Maintenance - mixer models
Fig 8 Angled Housing - Drill hole	Fig 17 Operation - Removing handset
Fig 9 Angled Housing - Insert housing	Fig 18 Operation - Twist handset

3. TO THE USER

Read the following carefully before installation

WARNING: Please note that incorrect installation may invalidate the warranty.

4. TO THE FITTER

Check that the product is suitable for the intended application, follow installation instructions and ensure all relevant personnel read the points listed below. Also ensure that these installation instructions are passed on to the end user.

5. PRINCIPLES OF OPERATION

The Whale Twist® Deck Shower has a unique innovative handset with temperature and flow controls incorporated. Both unobtrusive housing designs compliment the sleek lines of the boat deck. All Whale Twist® models require only a single circular hole to be cut and simple plumbing to install.

6. APPLICATION

The Whale Twist® Deck Shower is designed for installation on flat or slightly curved surfaces on the deck or transom of recreational marine vessels or vehicles. If it is intended for use for any other purpose or with any other liquid, it is the user's responsibility to ensure that the shower is suitable for the intended use and, in particular, that the materials are fully compatible with the liquids to be used.

7. WARNINGS

Temperature Settings – To prevent scalding (regardless of the water heating method or the control devices used), the temperature for the hot water supplied to the faucets and showers should be controlled in the range of 43 °C to 60 °C (110 ° F to 140 ° F) with a fail safe set at 82 °C (180 °F).



CAUTION: Ideally, the showering temperature should be set at 38 °C (100 °F) for health and safety reasons, higher settings will increase the risk of scald injury. Those at greatest risk of scald injury include children, the elderly, disabled, and diabetics.

WARNING: The Whale Twist® Deck Shower is not suitable for domestic applications.

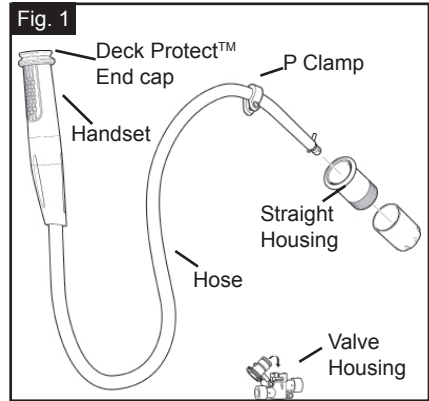
8. PARTS LIST - STRAIGHT HOUSING OPTIONS

MIXER VERSION

- 1 Handset and hose with p clamp (screw incl.)
- 1 Straight housing
- 1 Locking nut
- 1 Valve housing with temporary shut off valve attached (includes 2 retaining screws)
- 2 WX1532B - adaptor 1/2" BSP female (supplied with retail models only)

COLD ONLY VERSION

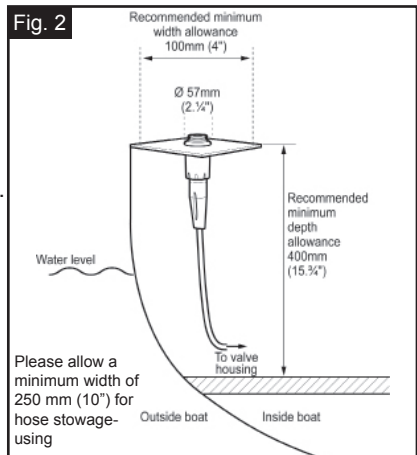
- 1 Handset and hose with p clamp (screw incl.)
- 1 Straight housing
- 1 Locking nut
- 1 WX1532B - adaptor 1/2" BSP female



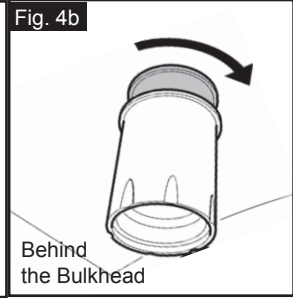
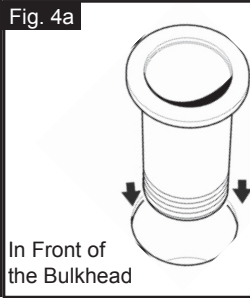
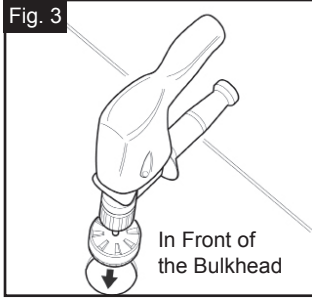
9. INSTALLATION - STRAIGHT HOUSING OPTIONS

STEP 1 Choose a suitable location for the shower to be installed. The unique design allows the shower to be fitted on a flat or curved surface, on a horizontal or angled plane. Ensure there is sufficient space to allow space for the handset and hose when stowed. (See Fig. 2). Ensure that the plumbing connections and p clamp are mounted as close as possible to the handset housing to ensure maximum usable hose length.

Please note: Before installing, ensure that sufficient space is allowed for the shower hose when stowed. Also ensure that it is free from obstructions when pulled out.



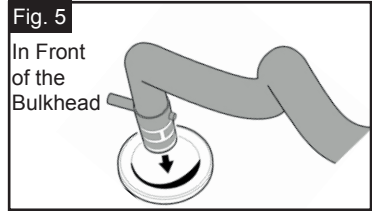
STEP 2. Allowing for the height and width restrictions indicated in Fig. 2, drill one 50mm (2") diameter circular hole in the bulkhead above the water line. (See Fig. 3) Please note: minimum mounting surface thickness: 3mm (1/8"); maximum mounting surface thickness 19mm (3/4").



STEP 3 Place the housing through the hole. Secure by hand tightening the lock nut onto the housing behind the bulkhead. (See Fig. 4a and 4b)

STEP 4 Feed the hose down through the housing until the handset is in place. (See Fig. 5)

Please refer to section 8 for plumbing details.



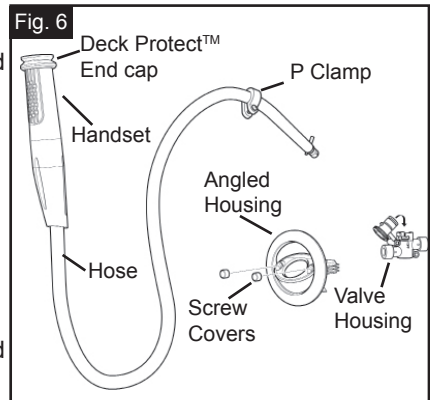
10. PARTS LIST - ANGLED HOUSING OPTIONS

MIXER VERSION

- 1 Handset and hose with p clamp (screw incl.)
- 1 Angled housing (with 3 support rings supplied - black, red, and blue)
- 2 Screw covers
- 1 Valve housing with temporary shut off valve attached (includes 2 retaining screws)
- 2 WX1532B - adaptor 1/2" BSP female (supplied with retail models only)

COLD ONLY VERSION

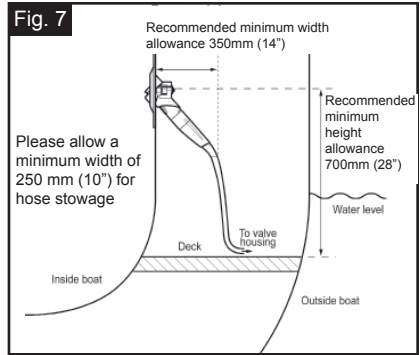
- 1 Handset and hose with p clamp (screw incl.)
- 1 Angled housing (with 3 support rings supplied - black, red, and blue)
- 1 Screw covers
- 1 WX1532B - adaptor 1/2" BSP female



11. INSTALLATION - ANGLED HOUSING

STEP 1. Choose a suitable location for the shower to be installed. The unique design allows the shower to be fitted on a vertical or angled flat or curved surface.

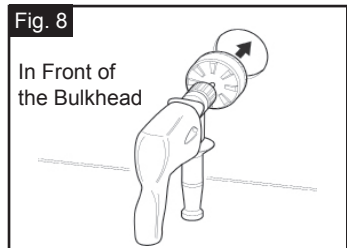
Note Maximum curvature = 1 m (3ft 3") radius. Ensure there is sufficient space to allow for the handset and hose when stowed. (See Fig. 7). Ensure that the plumbing connections and p clamp are mounted as close as possible to the handset housing to ensure maximum usable hose length.



Please note: Before installing, ensure that sufficient space is allowed for the shower hose when stowed. Also ensure that it is free from obstructions when pulled out.

STEP 2, Drill one 89mm (3 1/2") diameter circular hole in the fibreglass bulkhead (above the water line).

Minimum bulkhead thickness = 6mm (1/4")
 Maximum bulkhead thickness = 12mm (1/2")
 (See Fig. 8)

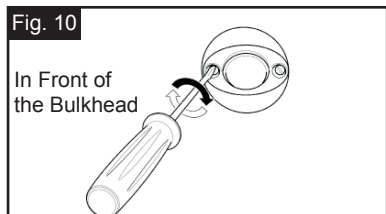
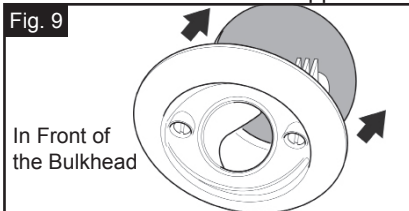


STEP 3. To enable ease of fitting of the holder and support rings, the two screws should be loosened until almost disengaged from the threaded part.

STEP 4. Ensure the black coloured support ring is in place behind the housing. If the housing is to be placed on a curved surface replace this with the appropriate support ring as outlined below:

On a Flat Surface	Use black ring attached to Angled Housing
On a Slightly Curved Surface - radius greater than 10 metres (33 ft)	Use the blue support ring
On a Very Curved Surface Between 10m (33 ft) and 1m (3 ft 3") radius	Use the red support ring

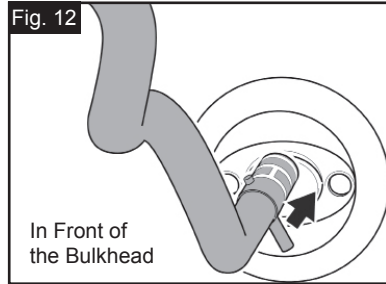
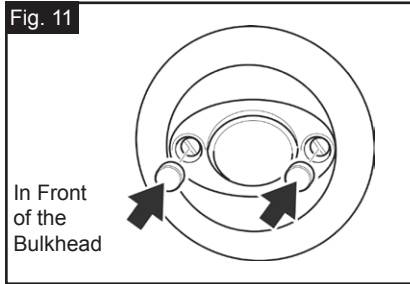
Note If replacing the support ring with the blue or red rings; ensure that the ring is installed with the flat surface uppermost.



STEP 5. Place the housing through the hole (Fig. 9). Install by tightening the 2 screws in the front face until the flange is securely mounted to the bulkhead (See Fig.10) i.e. touching at all points around the circumference. Ensure that the screw holes are on a horizontal plane.

CAUTION: Do not over-tighten.

STEP 6. Press the plastic covers into screw holes by hand. (See Fig. 11)



STEP 7.

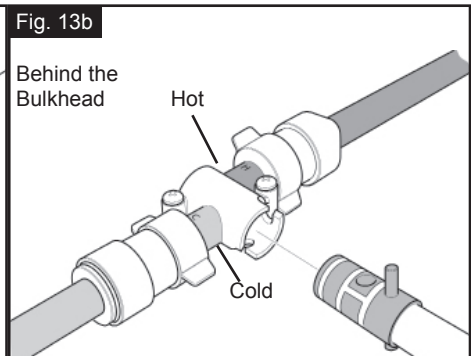
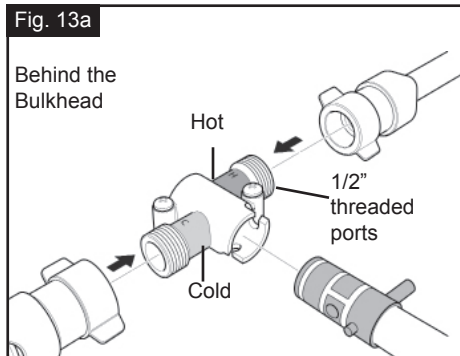
Feed the hose down through the housing until the handset is in place. (See Fig. 12)
Please refer to section 8 for plumbing details.

12. PLUMBING

PLUMBING PREPARATION

STEP 1 Turn off electrics, open all faucets and showers (hot and cold) to depressurize the system and remove the existing shower.

STEP 2 Prepare hot and cold plumbing lines to have appropriate connections to 1/2" threaded valve housing ports (See Fig. 13a).



PLUMBING - MIXER MODELS

Models DS0003B, DS0004B, DS0013B, DS0014B, DS0413B, DS0414B DS0006).

STEP 1 Secure the valve housing using a number 2 pozi screwdriver to tighten the screws provided.

Note The valve should be installed as close to the housing as possible. Space must also be allowed for the handset hose to be easily pulled out for showering and replaced for stowage (See Fig. 2/ Fig. 7).

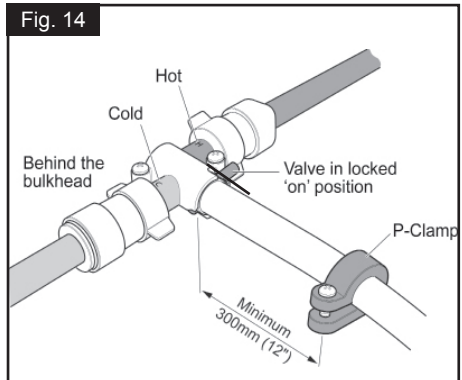
Note In order to securely fasten the unit, ensure that the valve mounting surface is a minimum thickness of 19mm (3/4”).

STEP 2 Connect hot and cold plumbing into 1/2” threaded ports. If attaching to Whale Quick Connect plumbing fittings, use two WX1532B fittings (provided in retail packed models only, available separately for bulk packed models). (See Fig. 13a and b).

STEP 3 Attach the shower hose to the valve housing. Push in with long stem entering the slot and then rotate clockwise by 30 degrees to the locked 'on' position (See Fig. 14).

Note Ensure the hose is fully pushed in for a secure connection.

STEP 4. Screw p clamp to bulkhead ensuring it is located at least 300 mm (12”) from the valve housing (See Fig. 14)



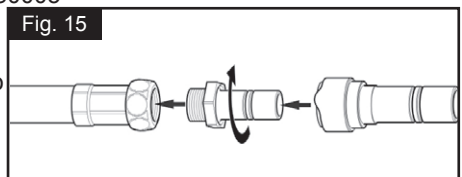
Note In order to securely fasten the unit, ensure that the p clamp mounting surface is at least 19mm (3/4”) minimum thickness.

STEP 5 Close all the faucets and showers. Then turn on the water pump and check all the connections are dry. Test Whale Twist® operation (See section 10).

PLUMBING – COLD ONLY MODELS

Models: DS0211B, DS0212B, DS0213B, DS0005

STEP 1 Connect shower hose to plumbing - (See Fig. 15). Connects directly to Quick Connect Plumbing, use WU1215 (included).



STEP 2 Screw p clamp to bulkhead ensuring it is located at least 300 mm (12”) from the valve housing (See Fig. 14).

Note In order to securely fasten the unit, ensure that the p clamp mounting surface is at least 19mm (3/4”) minimum thickness.

STEP 3 Close all the faucets and showers, turn on the water pump and check all the connections are dry. Test Whale Twist® operation (See section 14).

13. MAINTENANCE

For all Whale Twist® models

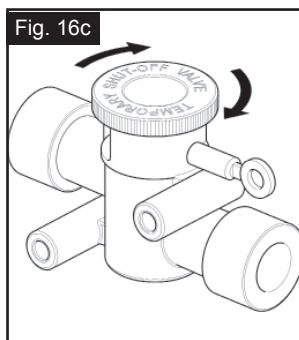
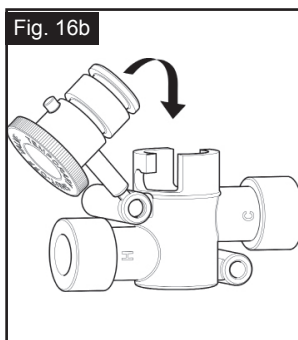
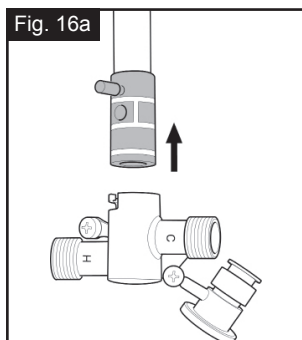
Clean housing and handset with warm soapy water.

Do not use any chemical cleaning agents.

Regular inspection of plumbing connections and tubing is recommended.

For Mixer Models

If you need to remove the handset and hose for replacement, remove the unit at the valve housing and insert the temporary shut off valve as shown. (See Fig. 16a, 16b and 16c). This allows you to use the freshwater system until the new hose is installed.

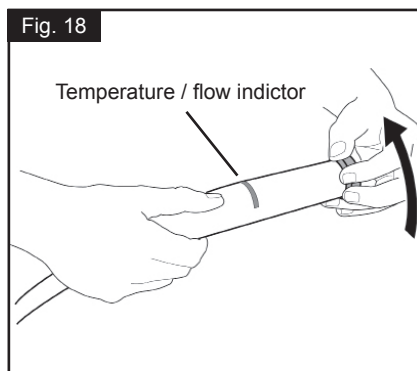
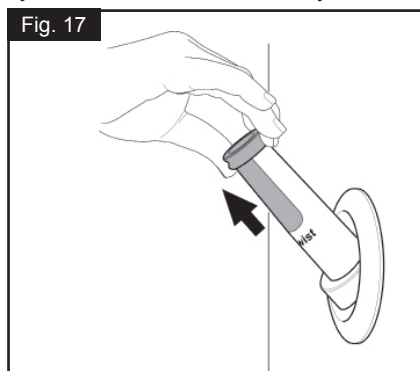


14. INSTRUCTIONS FOR USE

STEP 1 Pull handset gently from the housing. (See Fig. 17)

STEP 2 Set flow / temperature. (Temperature settings do not apply for cold only models). Twist handset to desired flow / temperature setting. (See Fig. 18)

CAUTION: For health and safety reasons, temperature should be set at 38°C (100 °F). Higher settings will increase the risk of scald injury. Those at greatest risk of scald injury include children, the elderly, disabled, and diabetics.



STEP 3 Enjoy showering.

After Use

STEP 1 Twist upper part of handset to the 'off' position.

Note: Ensure handset is fully closed before stowage.

STEP 2 Replace handset in holder.

15. TROUBLESHOOTING

PROBLEM	POSSIBLE CAUSE	POSSIBLE SOLUTION
Limited flow	Blocked shower nozzles	Check for any blockages in the handset. Clean head with warm soapy water (do not use any chemical cleaning agents)
No flow	Pump may not be operating. Valve housing is not in 'On' position	Check pump is operating. Check valve housing is in locked 'on' position (See Fig. 14)

16. WINTERIZING

Freezing in winter may cause damage to the Whale Twist® Deck Shower.

To avoid this damage, ensure the system is completely drained.

1. Drain the fresh water tank either using the pump or a drain valve.
2. Turn pump on and open all faucets (including drain valve) and allow the pump to purge the water from the system.
3. Open the Whale Twist® Deck Shower until water flow stops.
4. Turn off Whale Twist® Deck Shower.
5. Turn off power isolator switch for water pump.
6. **Remember to leave all outlets open except Whale Twist® Deck Shower to avoid any damage.**

17. SERVICE SUPPORT DETAILS

For installation or service advice please contact Whale support:

Tel: +44 (0)28 9127 0531

Email: info@whalepumps.com

USA Tel: +1 616 897 9241

USA Email: usasales@whalepumps.com

Please note: The Whale Twist® Deck Shower hose should be replaced after every 5 years of use.

18. PATENTS AND TRADEMARKS

WHALE®, WHALE TWIST® and DECK PROTECT® are trade marks of Munster Simms Engineering Limited (also trading as Whale Seaward Inc).

The Whale Twist® Deck Shower is protected by the following patent and design registration applications:

USA Patent number: 0621530.5	Australian Patent number: 2007231705
European Patent number: 07119601.8	USA Patent number: 11/814640
Norway Patent number: 0621530.5	UK Patent number: 0711496.0
New Zealand Patent number: 562931	UK Patent number: 0719338.6

Design Registration:

European: 000760632.0001	Canadian: 124293
European: 760632	Canadian: 124924
European: 000305957	USA: 29/299,514
Australian: 21517/2007	USA: 29/299,515
Australian: 21518/2007	

19. WARRANTY

The Whale Twist® Deck Shower is covered by 1 year warranty. For warranty details, please refer to the enclosed copy of Whale's Statement of Limited Warranty.

©Copyright Whale 2019 - All rights reserved.

Reproduction in whole or in part without permission is prohibited.

WHALE®, is a registered trademark of Munster Simms Engineering Limited, Bangor, Northern Ireland trading as Whale. Whale's policy is one of continuous improvement and we reserve the right to change specifications without prior notice. Illustrations are for guidance purposes only.

Neither the accuracy nor completeness of the information contained in this or any product literature is guaranteed by the Company and may be subject to change at its sole discretion.

Munster Simms Engineering Ltd.

2 Enterprise Road, Bangor, N. Ireland BT19 7TA

www.whalepumps.com

Nous vous remercions pour votre achat de ce produit Whale.

Depuis plus de 70 ans, Whale donne le ton en termes de conception et de fabrication de systèmes d'eau douce et d'eaux usées : plomberie, robinets, douches et pompes pour applications basse tension. L'entreprise et ses produits se sont forgés une réputation de qualité, de fiabilité et d'innovation soutenues par un excellent service à la clientèle. Pour plus d'informations sur notre gamme complète de produits, n'hésitez pas à visiter: www.whalepumps.com

1. CARACTERISTIQUES

Code Produit	Modèle	Couleur	Support (Matériaux)	Taille de tuyau
DS0003B	Mitigeur	Bleu et blanc	Droit (chrome)	2.5m (8.2ft)
DS0004B			Angulaire (blanc)	
DS0005	Froide uniquement	Gris et blanc	Droit (chrome) et Angulaire (blanc)	2.1m (6.9ft)
DS0006	Mitigeur		Droit (chrome)	2.5m (8.2ft)
DS0013B			Angulaire (blanc)	
DS0014B			Droit (chrome)	
DS0211B	Froide uniquement		Angulaire (blanc)	2.1m (6.9ft)
DS0212B			Angulaire (noir)	
DS0213B		Droit (chrome)		
DS0411B		Angulaire (blanc)		
DS0412B	Mitigeur	Gris et blanc	Droit (chrome)	4m (13.1ft)
DS0413B			Angulaire (blanc)	
DS0414B			Droit (chrome)	

2. SOMMAIRE

- | | |
|---|------------------------------------|
| 1. Caracteristiques | 13. Entretien |
| 2. Table des matieres | 14. Instructions d'utilisation |
| 3. Pour l'utilisateur | 15. Dépannage |
| 4. Pour l'installateur | 16. Hivernage |
| 5. Principes de fonctionnement | 17. Données techniques d'entretien |
| 6. Application | 18. Brevets et Marques Déposées |
| 7. Avertissements | |
| 8. Nomenclature: Option de support droit | |
| 9. Installation: Option de support droit | |
| 10. Nomenclature: Option de support angulaire | |
| 11. Installation: Option de support angulaire | |
| 12. Plomberie – Tous les modèles | |

LISTE DES ILLUSTRATIONS

Fig 1 Support droit – Produit complet	Fig 10 Support angulaire – Serrer les vis
Fig 2 Support droit – Largeur et de hauteur	Fig 11 Insérer les capuchons de vis
Fig 3 Support droit – Percer un trou	Fig 12 Insérer le flexible
Fig 4a Support droit – Insérer le support	Fig 13a Plomberie – Modèles avec mitigeur
Fig 4b Support droit – Serrer le contre-écrou	Fig 13b Raccordement de la plomberie
Fig 5 Support droit – Insérer le flexible	Fig 14 Plomberie et flexible installés
Fig 6 Support angulaire – Produit complet	Fig 15 Raccordement de la plomberie
Fig 7 Support angulaire – Largeur et hauteur	Fig 16 Entretien– Modèles avec mitigeur
Fig 8 Support angulaire – Percer un trou	Fig 17 Fonctionnement
Fig 9 Support angulaire – Insérer le support	Fig 18 Fonctionnement

3. A L'INTENTION DE L'UTILISATEUR

Lire attentivement les instructions suivantes avant installation

AVERTISSEMENT: Une installation incorrecte peut rendre caduque la garantie.

4. A L'INTENTION DE L'INSTALLATEUR

Vérifier que le produit convient à l'application en question, respecter les consignes d'installation et veiller à ce que le personnel concerné lise les consignes stipulées ci-dessous. Veiller également à ce que les présentes consignes d'installation soient communiquées à l'utilisateur final.

5. PRINCIPES DE FONCTIONNEMENT

La douchette de pont Whale Twist®, innovante et unique, comprend un contrôle de la température et du débit intégré. Les deux conceptions discrètes des supports complètent les lignes élancées du pont du bateau. Tous les modèles Whale Twist® ne nécessitent qu'une découpe circulaire unique et leurs plomberie est simple à installer.

6. APPLICATION

La douchette de pont Whale Twist® est conçue pour une installation sur des surfaces planes ou légèrement incurvées de ponts ou de tableaux de bateaux de plaisance ou de véhicules et ne convient pas à un usage domestique. Si elle est destinée à être utilisée à d'autres fins ou avec tout autre liquide, il est de la responsabilité de l'utilisateur de s'assurer que la pompe est adaptée pour l'utilisation prévue et, en particulier, que les matériaux soient entièrement compatibles avec les liquides qui vont être utilisés.

7. AVERTISSEMENTS

Réglages de température – Pour éviter les brûlures (indépendamment de la méthode de chauffage de l'eau ou des dispositifs de contrôle utilisés), la température de l'eau chaude fournie aux robinets et douchettes doit être contrôlée sur une plage de 43 °C à 60 °C (110 °F à 140 °F) avec une sûreté intégrée réglée à 82 °C (180 °F).



ATTENTION: Idéalement, la température doit être réglée sur 38°C (100°F) pour des raisons de santé et de sécurité, des réglages supérieurs peuvent augmenter le risque de brûlure. Les enfants, les handicapés, les infirmes et les personnes âgées sont les plus exposés au risque de brûlure.

AVERTISSEMENT: La douche de pont Whale Twist® ne convient pas à un usage domestique.

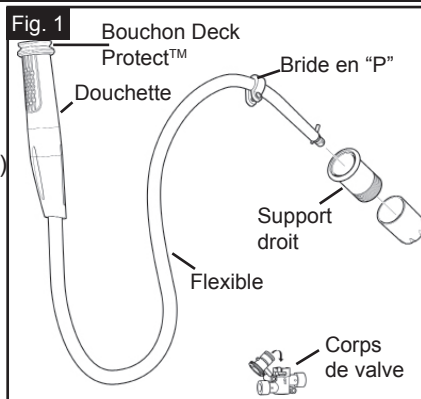
8. NOMENCLATURE - MODELES A SUPPORT DROIT

VERSION MITIGEUR

- 1 Douche, flexible et bride en P (vis montée)
- 1 Support droit
- 1 Contre-écrou
- 1 Corps de valve avec le robinet d'arrêt momentané (vis de fixation comprises)
- 2 Raccords WX1532B 1/2" BSP femelles (version distribution seulement)

VERSION FROIDE UNIQUEMENT

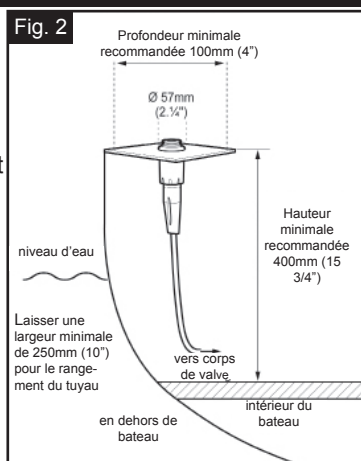
- 1 Douche, flexible et bride en P (vis montée)
- 1 Support droit
- 1 Contre-écrou
- 1 Raccord WX1532B 1/2" BSP femelle



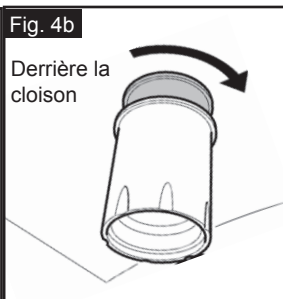
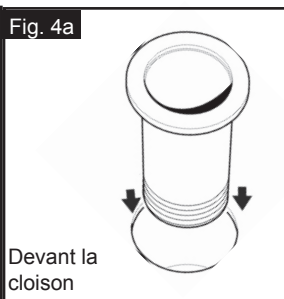
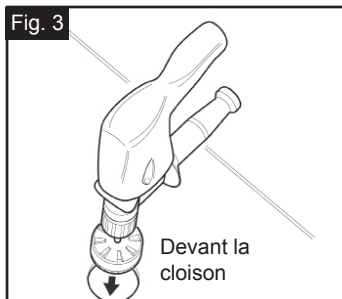
9. INSTALLATION DU SUPPORT DROIT

ETAPE 1 Choisir l'endroit le plus approprié à l'installation de la douche. Sa conception unique permet d'installer la douche sur une surface plane ou incurvée, sur un plan horizontal ou incliné. S'assurer qu'il y a suffisamment d'espace pour la douche et le flexible une fois installés. Voir Fig. 2. Vérifier que les raccords de plomberie et la bride en "P" sont montés le plus près possible du support de douche pour garantir la longueur de flexible maximale utilisable.

Remarque: Avant l'installation, s'assurer qu'il y a suffisamment d'espace pour le flexible de douche une fois installé. Vérifier aussi qu'il ne peut rencontrer d'obstacles lorsqu'il est déployé.



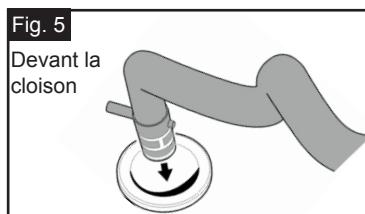
ETAPE 2 En respectant les restrictions de largeur et de hauteur indiquées dans la Fig. 2, percer un trou de 50 mm de diamètre dans la cloison audessus de la ligne de flottaison. (Voir Fig. 3) Remarque: épaisseur de surface de montage minimum: 3 mm; épaisseur de surface de montage maximum 19 mm.



ETAPE 3 Insérer le support dans le trou. Serrer le contreécrou à la main sur le support derrière la cloison. Voir Fig. 4a et 4b.

ETAPE 4 Insérer le flexible à travers le support jusqu'à ce que la douchette soit en place. (Voir Fig. 5)

Se référer à la section 8 pour les détails de plomberie.



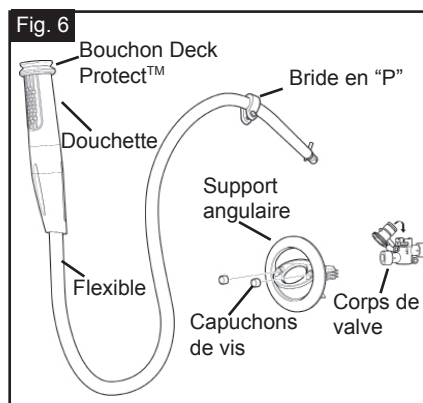
10. NOMENCLATURE – MODELES A SUPPORT ANGULAIRE

VERSION MITIGEUR

- 1 Douchette, flexible et bride en "P" montée
- 1 Support angulaire (avec 3 bagues d'appui fournies: noire, rouge et bleue)
- 2 Capuchons de vis
- 1 Corps de valve (2 vis de fixation comprises)
Le robinet d'arrêt momentané est inclus
- 2 Raccords WX1532B 1/2" BSP femelles (version distribution seulement)

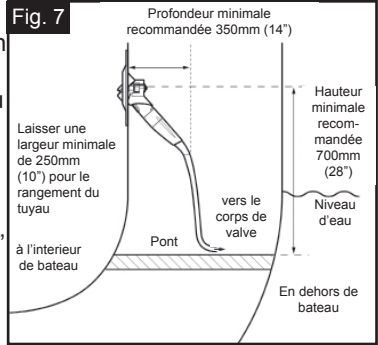
VERSION FROIDE UNIQUEMENT

- 1 Douchette, flexible et bride en "P" montée
- 1 Support angulaire (avec 3 bagues d'appui fournies: noire, rouge et bleue)
- 2 Capuchons de vis
- 1 Raccord WX1532B 1/2" BSP femelle



11. INSTALLATION DU SUPPORT ANGULAIRE

ETAPE 1 Choisir l'endroit le plus approprié à l'installation de la douchette. Sa conception unique permet d'installer la douchette sur une surface plane ou incurvée, verticale ou angulaire. Courbure maximum = rayon de 1m. S'assurer qu'il y a suffisamment d'espace pour la douchette et le flexible une fois installés. Voir Fig. 7. Vérifier que les raccords de plomberie et la bride en "P" sont montés le plus près possible du support de douchette pour garantir la longueur de flexible maximale utilisable.

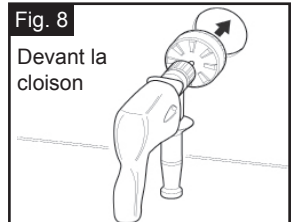


Remarque: Avant l'installation, s'assurer qu'il y a suffisamment d'espace pour le flexible de douchette une fois installé. Vérifier aussi qu'il ne peut rencontrer d'obstacles lorsqu'il est déployé.

ETAPE 2 Percer un trou de 89 mm (3 1/2") de diamètre dans la cloison en fibre de verre (au-dessus de la ligne de flottaison).

Epaisseur de cloison minimum = 6 mm (1/4")

Epaisseur de cloison maximum = 12 mm (1/2") (Fig. 8)

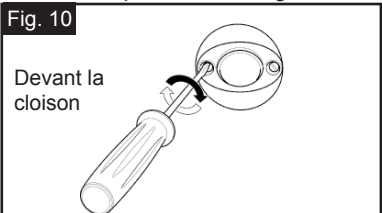
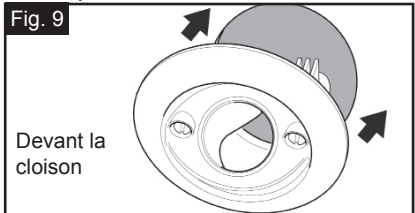


ETAPE 3 Pour permettre une installation plus facile du support et des anneaux de support, les deux vis doivent être desserrées jusqu'à être presque entièrement désengagée de la partie taraudée.

ETAPE 4 Vérifier que la bague d'appui noire est en place derrière le support. Si le support doit être installé sur une surface incurvée, remplacer celle-ci par la bague d'appui appropriée telle que détaillée ci-dessous:

Sur une surface plane	Utiliser la bague noire déjà montée sur le boîtier angulaire
Sur une surface légèrement incurvée – rayon supérieur à 10m	Utiliser la bague d'appui bleue
Sur une surface fortement incurvée – rayon entre 10m et 1m	Utiliser la bague d'appui rouge

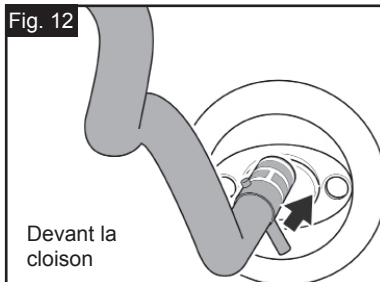
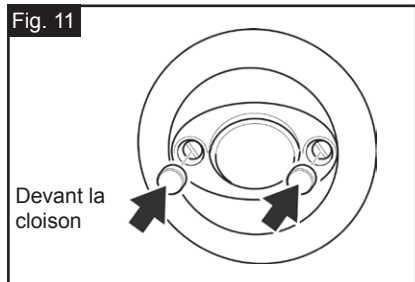
Remarque En cas de remplacement de la bague d'appui noire par la bleue ou la rouge vérifier que cette dernière est installée avec la surface plane de la bague au sommet.



ETAPE 5 Insérer le support dans le trou (Voir Fig. 9) Installer celui-ci en serrant les 2 vis par la face avant jusqu'à ce que la corolle du support soit correctement installée sur la cloison (Voir Fig. 10) c.-à-d. en étant en contact sur tout le pourtour. Vérifier que les trous de vis se situent sur un plan horizontal.

ATTENTION: Ne pas serrer trop fort.

ETAPE 6 Enfoncer à la main les capuchons en plastique dans les trous de vis. (Fig. 11).



ETAPE 7 Insérer le flexible dans le support jusqu'à ce que la douche soit en place. (Voir Fig. 12).

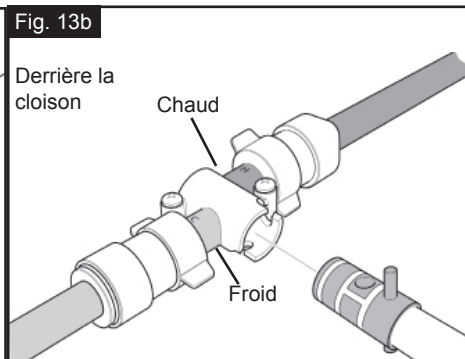
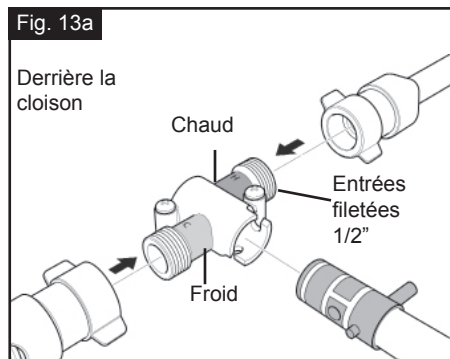
Se référer à la section 8 pour les détails de plomberie.

12. PLOMBERIE

PREPARATION DE LA PLOMBERIE

ETAPE 1 Couper l'alimentation électrique, ouvrir tous les robinets et douchettes (eau chaude et froide) pour éliminer la pression dans le système et remplacer la douchette existante.

ETAPE 2 Préparer les tuyaux d'eau chaude et d'eau froide de manière à les raccorder correctement aux entrées filetées 1/2" du corps de valve (Voir Fig. 13a).



PLOMBERIE – MODELES MITIGEURS

Modeles DS0003B, DS0004B, DS0013B, DS0014B, DS0413B, DS0414B DS0006).

ETAPE 1 Fixer le corps de valve en utilisant un tournevis numéro 2 Pozi pour serrer les vis fournies.

Remarque La valve doit être installée le plus près possible du support. Il doit également y avoir suffisamment d'espace pour retirer facilement la douchette et la remettre en place après utilisation (Voir Fig. 2 et Fig. 7).

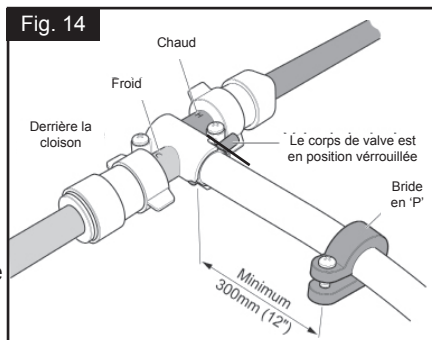
Remarque Pour fixer correctement l'unité, s'assurer que la surface de montage de la valve possède une épaisseur minimum de 19 mm (3/4").

ETAPE 2 Connecter les tuyaux d'eau chaude et d'eau froide aux entrées filetées 25mm du corps de valve. En cas d'utilisation de raccords rapides Whale Quick Connect, utiliser deux raccords WX1532B (fournis uniquement avec les modèles conditionnés pour la vente au détail, disponibles séparément pour les modèles conditionnés en vrac) Fig. 13a et b

ETAPE 3 Fixer le flexible de douchette au corps de valve. Insérer le flexible en glissant la longue tige dans la fente, puis tourner dans le sens des aiguilles d'une montre de 30 degrés dans la position verrouillée

Remarque Assurez-vous que le tuyau soit poussé à fond pour une connexion sécurisée

ETAPE 4 Visser la bride en "P" à la cloison en veillant à la positionner à au moins 300mm du corps de valve (Voir Fig. 14).



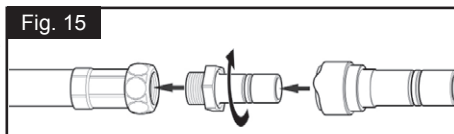
Remarque Pour fixer correctement l'unité, s'assurer que la surface de montage de la bride en "P" possède une épaisseur minimum de 19 mm (3/4").

ETAPE 5 Fermer tous les robinets et douchettes. Ensuite, allumer la pompe à eau et vérifier que tous les raccords sont secs. Tester le fonctionnement de la douchette Whale Twist® (voir section 10).

PLOMBERIE – MODELES EAU FROIDE UNIQUEMENT

Modeles: DS0211B, DS0212B, DS0213B, DS0005

ETAPE 1 Raccorder le flexible de douchette à la plomberie - (Voir Fig. 15)
Raccordement direct au raccord rapide Quick Connect; utiliser le raccord WU1215.



ETAPE 2 Visser la bride en "P" à la cloison en veillant à la positionner à au moins 300 mm (12") du corps de valve (Voir Fig. 14).

Remarque pour fixer correctement l'unité, s'assurer que la surface de montage de la bride en "P" possède une épaisseur minimum de 19 mm (3/4").

ETAPE 3 Fermer tous les robinets et douchettes, allumer la pompe à eau et vérifier que tous les raccords sont secs. Tester le fonctionnement de la douchette Whale Twist® (voir section 14).

13. ENTRETIEN

Pour tous les modèles Whale Twist®

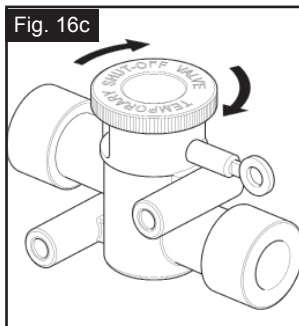
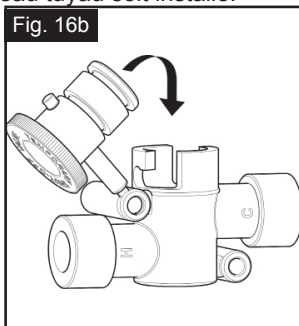
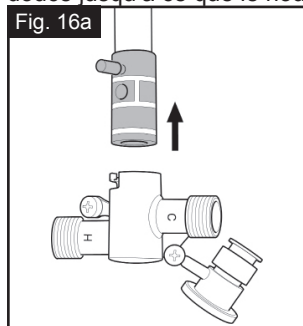
Nettoyer le support et la douchette avec de l'eau chaude savonneuse.

Ne pas utiliser de nettoyants chimiques.

Une inspection régulière des raccords et des tuyaux de la plomberie est recommandée

Mélangeur pour modèles

Si vous devez retirer la douchette et le flexible pour remplacement enlever le flexible du corps de valve et insérer momentanément le robinet d'arrêt, comme indiqué dans la photo au-dessus. (Voir Fig 16a, 16b, 16c). Cela vous permet d'utiliser le réseau d'eau douce jusqu'à ce que le nouveau tuyau soit installé.

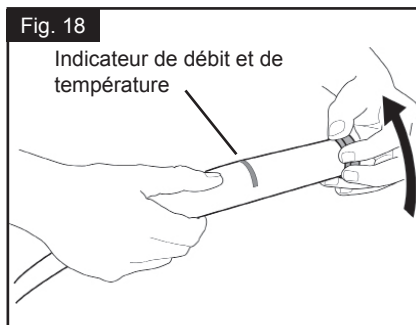
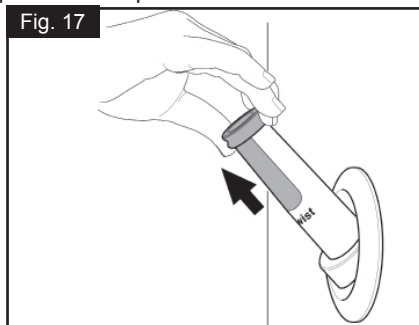


14. INSTRUCTIONS D'UTILISATION

ETAPE 1 Retirer soigneusement la douchette du boîtier. (Voir Fig. 17).

ETAPE 2 Régler le débit et la température. (Pas de réglage de la température sur les modèles eau froide). Tourner la douchette pour régler le débit et la température souhaités. (Voir Fig. 18).

ATTENTION: Pour des raisons de santé et de sécurité, la température doit être réglée sur 38 °C (100 °F). Des réglages supérieurs peuvent augmenter le risque de brûlure. Les enfants, les handicapés, les infirmes et les personnes âgées sont les plus exposés au risque de brûlure.



ETAPE 3 Prendre votre douche devient un vrai plaisir.

APRES UTILISATION

ETAPE 1 Tourner la partie supérieure de la douchette en position "OFF"

Remarque: S'assurer que la douchette est complètement fermée avant rangement.

ETAPE 2 Reposer la douchette sur son support.

15. DEPANNAGE

PROBLEME	CAUSES POSSIBLES	SOLUTION
Débit limité	Buses de douchettes colmatées	Rechercher les obstructions éventuelles dans la douchette. Nettoyer la tête avec de l'eau chaude savonneuse (ne pas utiliser de nettoyeurs chimiques)
Pas de débit	La pompe ne fonctionne pas. Le flexible n'est pas en position verrouillée dans la corps de valve	Vérifier que la pompe fonctionne. Vérifier que le flexible est en position verrouillée (Voir Fig. 14)

16. HIVERNAGE

Le gel peut endommager la douchette de pont Whale Twist®.

Pour éviter ces dommages, s'assurer que le système est complètement vidangé.

1. Purger le réservoir d'eau douce à l'aide de la pompe ou d'un robinet de vidange
2. Allumer la pompe et ouvrir tous les robinets (y compris le robinet de vidange) et laisser la pompe purger l'eau du système.
3. Ouvrir la douchette de pont Whale Twist® jusqu'à ce que le débit d'eau s'arrête.
4. Fermer la douchette de pont Whale Twist®
5. Stopper le fonctionnement de la pompe à eau
6. **Ne pas oublier de laisser toutes les sorties ouvertes (sauf la douchette de pont Whale Twist®) pour éviter tout dommage.**

17. DONNEES TECHNIQUES D'ENTRETIEN

Pour des conseils relatifs à l'installation ou l'entretien, contacter le service à la clientèle de Whale:

Tel: +44 (0)28 9127 0531
USA Tel: +1 616 897 9241

Email: info@whalepumps.com
USA Email: usasales@whalepumps.com

Remarque: Le flexible de la douchette de pont Whale Twist® doit être remplacé tous les 5 ans.

18. BREVETS ET MARQUES DEPOSEES

WHALE®, WHALE TWIST® et DECK PROTECT® sont des marques déposées de Munster Simms Engineering Limited (opérant également sous le nom de Whale Seaward Inc).

La douchette de pont Whale Twist® est protégée par les brevets et applications de registre des dessins industriels suivants:

Brevet américain: 0621530.5
Brevet européen: 07119601.8
Brevet norvégien: 0621530.5
Brevet néo-zélandais: 562931

Brevet australien: 2007231705
Brevet américain: 11/814640
Brevet anglais: 0711496.0
Brevet anglais: 0719338.6

Registre des dessins industriels:

Européen: 000760632.0001
Européen: 760632
Européen: 000305957
Australien: 21517/2007

Australian: 21518/2007 Etats-Unis: 29/299,515
Canadien: 124293
Canadien: 124924
Etats-Unis: 29/299,514

19. GARANTIE

La douchette de pont Whale Twist® est couverte par une garantie d'un an. Pour les détails de la garantie, se référer à l'exemplaire de la déclaration de garantie limitée de Whale ci-joint.

© Copyright Whale® 2019 - Tous droits réservés. Toute reproduction totale ou partielle sans autorisation est interdite.

WHALE® est une marque déposée enregistrée de Munster Simms Engineering Limited, Bangor, Irlande du Nord, active sous le nom de Whale. La philosophie de Whale consiste à améliorer en permanence nos produits et nous nous réservons le droit de modifier les spécifications sans notification préalable. Les illustrations sont fournies à titre de référence uniquement.

Aucune garantie n'est fournie par l'entreprise concernant l'exactitude ou l'exhaustivité des informations contenues dans ce document ou dans tout document produit et ces informations peuvent être soumises à des modifications à sa seule discrétion.

Munster Simms Engineering Ltd.

2 Enterprise Road, Bangor, N. Ireland BT19 7TA
www.whalepumps.com

Grazie per aver acquistato questo prodotto Whale.

Da oltre 70 anni, Whale è leader nel campo della progettazione e della produzione di impianti per acqua dolce e per le acque reflue, tra cui: tubature, rubinetteria, docce e pompe per applicazioni a basso voltaggio. L'azienda e i suoi prodotti si sono costruiti un'ottima reputazione per quanto riguarda la qualità, l'affidabilità e l'innovazione, supportata da un eccellente servizio clienti. Per informazioni sulla gamma completa dei nostri prodotti, invitiamo a visitare il sito: www.whalepumps.com

1. SPECIFICHE TECNICHE

Codice	Modelli	Colore	Supporto (Materiali)	Diametro del tubo	
DS0003B	Miscelatore	Blu e bianco	Diritto (cromo)	2.5m (8.2ft)	
DS0004B			Angolato (bianco)		
DS0005	Solo freddo	Grigio e bianco	Diritto (cromo) e Angolato (bianco)	2.1m (6.9ft)	
DS0006	Miscelatore		Diritto (cromo)	2.5m (8.2ft)	
DS0013B			Angolato (bianco)		
DS0014B			Diritto (cromo)		
DS0211B	Solo freddo		Nero e bianco	Angolato (bianco)	2.1m (6.9ft)
DS0212B				Angolato (nero)	
DS0213B		Grigio e bianco	Diritto (cromo)	4m (13.1ft)	
DS0411B			Angolato (bianco)		
DS0412B	Miscelatore	Diritto (cromo)			
DS0413B		Angolato (bianco)			
DS0414B					

2. INDICE

- | | |
|---|----------------------------------|
| 1. Specifiche | 14. Istruzioni per l'uso |
| 2. Contenuto | 15. Risoluzione dei problemi |
| 3. Per l'utente | 16. Invernaggio |
| 4. Per l'installatore | 17. Dettagli servizio assistenza |
| 5. Principi di funzionamento | 18. Marchi e brevetti |
| 6. Impiego | |
| 7. Avvertenze | |
| 8. Elenco dei pezzi: supporto diritto | |
| 9. Installazione: supporto diritto | |
| 10. Elenco dei pezzi: supporto angolato | |
| 11. Installazione: supporto angolato | |
| 12. Tubature – Tutti i modelli | |
| 13. Manutenzione | |

ELENCO DELLE IMMAGINI

Fig 1 Supporto diritto - Prodotto completo	Fig 10 Supporto angolato - Stringere le viti
Fig 2 Supporto diritto - Larghezza e altezza	Fig 11 Inserire la copertura delle viti
Fig 3 Supporto diritto - Foro trapano	Fig 12 Inserire il manicotto
Fig 4a Supporto diritto - Inserire l'supporto	Fig 13a Sistemazione delle tubature
Fig 4b Supporto diritto - Il dado di bloccaggio	Fig 13b Montaggio tubature – Miscelatore
Fig 5 Supporto diritto - Inserire il manicotto	Fig 14 Tubature e manicotto installati
Fig 6 Supporto angolato - Prodotto completo	Fig 15 Connessione tubatura del manicotto
Fig 7 Supporto angolato Larghezza e altezza	Fig 16 Manutenzione - Miscelatore
Fig 8 Supporto angolato - Foro trapano	Fig 17 Funzionamento
Fig 9 Supporto angolato - Inserire l'supporto	Fig 18 Funzionamento

3. PER L'UTENTE

Prima dell'installazione si raccomanda di leggere le seguenti avvertenze

AVVERTENZE: Una scorretta installazione può causare l'annullamento della garanzia.

4. PER IL MONTATORE

Assicurarsi che il prodotto sia idoneo all'applicazione desiderata, seguire le istruzioni di installazione e verificare che tutto il personale interessato prenda visione dei punti elencati di seguito. Verificare altresì che le presenti istruzioni di installazione vengano riferite all'utente finale.

5. PRINCIPI DI FUNZIONAMENTO

La doccia in pozzetto Whale Twist® dispone di un esclusivo, innovativo doccino con controlli di flusso e temperatura integrati. Entrambi i modelli di supporto, rispettano in modo non invadente le eleganti linee del ponte. Tutti i modelli Whale Twist® necessitano solo di un foro circolare ove viene installato un singolo tubo.

6. IMPIEGO

La doccia in pozzetto Whale Twist® è stata concepita per essere installata su superfici piatte o leggermente curve sul ponte o sulla coperta di imbarcazioni da diporto, ogni altra applicazione non è consigliabile. Se le pompe sono destinate a utilizzi diversi o con altri liquidi, l'utente deve assicurarsi che le pompe siano idonee all'uso previsto e, in particolare, che i materiali siano completamente compatibili con i liquidi da usare.

7. AVVERTENZE

Impostazioni temperatura – Per prevenire ustioni (con tutti i metodi di riscaldamento dell'acqua e con tutti i dispositivi di controllo utilizzati) la temperatura per l'acqua calda che arriva alla rubinetteria e alle docce deve essere mantenuta tra i 43 °C e i 60 °C (110-140 ° F) con l'impostazione di sicurezza intrinseca a 82 °C (180 °F).



ATTENZIONE La temperatura ideale per una doccia dovrebbe collocarsi sui 38 °C (100 °F) per ragioni di salute e sicurezza; temperature più alte aumentano il rischio di ustioni. Si raccomanda una particolare attenzione nei confronti di bambini, anziani, diversamente abili e diabetici.

AVVERTENZE: La doccia in pozzetto Whale Twist® non è adatta per applicazioni domestiche.

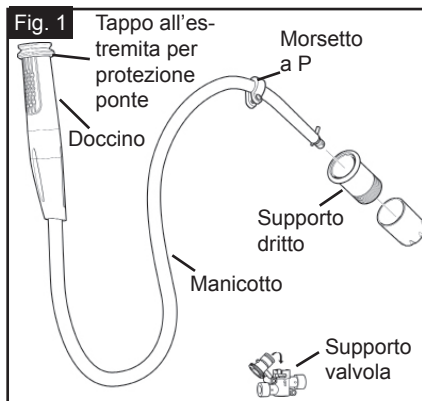
8. MODELLI AD SUPPORTO DIRITTO

VERSIONE MISCELATORE

- 1 Doccino e manicotto con morsetto a p (attaccato a vite)
- 1 Supporto dritto
- 1 Dado di bloccaggio
- 1 Supporto valvola comprende rubinetto per bloccaggio temporaneo (comprende 2 viti di fissaggio)
- 2 WX1532B - adattatore 1/2" BSP femmina (fornito solo con modelli al dettaglio, disponibile separatamente nei modelli all'ingrosso)

VERSIONE PER ACQUA FREDDA

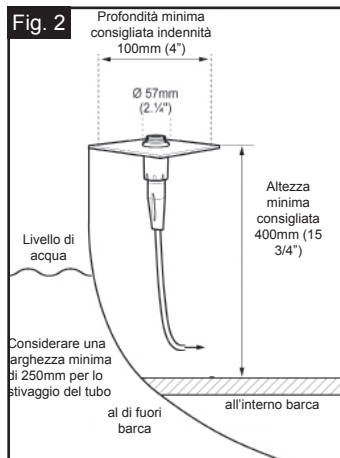
- 1 Supporto dritto
- 1 Dado di bloccaggio
- 1 Doccino e manicotto con morsetto a p (vite annessa)
- 1 WX1532B - adattatore 1/2" BSP femmina



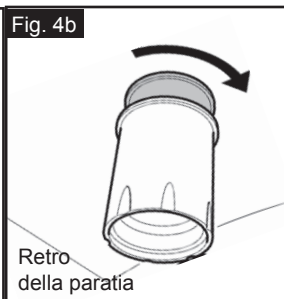
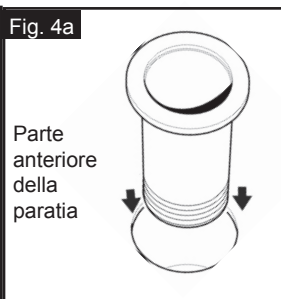
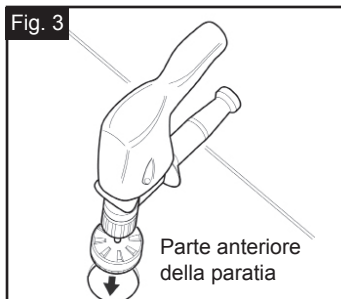
9. INSTALLATION - STRAIGHT HOUSING OPTIONS

FASE 1 Scegliere una posizione adatta per installare la doccia. Il design esclusivo permette di adattare la doccia a una superficie piatta o curva, su un piano orizzontale o inclinato. Verificare che ci sia spazio a sufficienza per collocarvi anche il doccino e il manicotto. Vedere la Fig. 2. Verificare che le connessioni della tubatura e del morsetto a P siano montate il più vicino possibile al supporto del doccino per essere certi che il manicotto ci arrivi.

N.B: Prima di procedere all'installazione, verificare che ci sia spazio a sufficienza per il manicotto della doccia. Verificare anche che esso sia libero da ostruzioni, quando viene estratto.



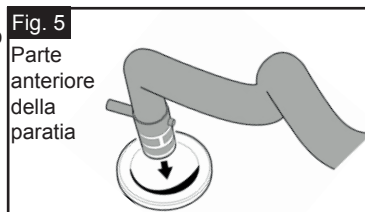
FASE 2 Rispettando i limiti di altezza e larghezza indicati nella Fig. 2, praticare un foro circolare del diametro di 50mm nella zona prescelta (Vedere Fig. 3) N.B spessore minimo della superficie di montaggio: 3mm (1/8"); spessore massimo della superficie di montaggio: 19mm (3/4").



FASE 3 Collocare il supporto nel foro. Stringere manualmente il dado di bloccaggio sul supporto dietro la paratia. Vedere Fig. 4a e 4b.

FASE 4 Inserire il manicotto in basso nel supporto fino a che il doccino non si trovi in posizione. (Vedere Fig. 5).

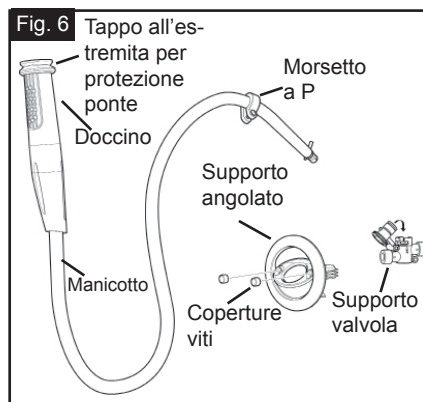
Per i particolari sulla tubatura, vedere il capitolo 8.



10. ELENCO PEZZI MODELLI CON SUPPORTO ANGOLATO

VERSIONE MISCELATORE

- 1 Doccino e manicotto con morsetto a p (attaccato)
- 1 Supporto angolato (con 3 anelli di sostegno: nero, rosso e blu)
- 2 copertura viti
- 1 Supporto valvola (comprende 2 viti di fissaggio) comprende rubinetto per bloccaggio temporaneo
- 2 WX1532B - adattatore 1/2" BSP femmina (fornito solo con modelli al dettaglio, disponibile separatamente nei modelli all'ingrosso)



VERSIONE AD ACQUA SOLO FREDDA

- 1 Doccino e manicotto con morsetto a p (attaccato)
- 1 Supporto angolato (con 3 anelli di sostegno:- nero, rosso e blu)
- 2 copertura viti
- 1 WX1532B - adattatore 1/2" BSP femmina

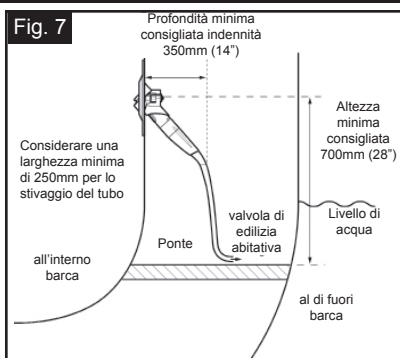
11. INSTALLAZIONE SUPPORTO ANGOLATO

FASE 1 Scegliere una posizione adatta per installare la doccia. Il design esclusivo permette di adattare la doccia a una superficie verticale o angolata, piatta o curva.

Curvatura massima = 1 metro di raggio.

Verificare che ci sia spazio a sufficienza per collocarvi anche il doccino e il manicotto. Vedere la Fig. 7. Verificare che le connessioni della tubatura e del morsetto a P siano montate il più vicino possibile al supporto del doccino per essere certi che il manicotto ci arrivi.

N.B: Prima di procedere all'installazione, verificare che ci sia spazio a sufficienza per il manicotto della doccia. Verificare anche che esso sia libero da ostruzioni, quando viene estratto.

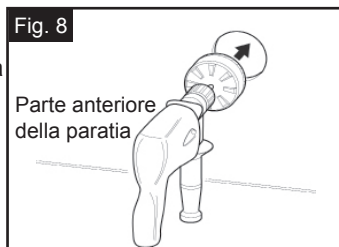


FASE 2 Praticare un foro con una punta a tazza da 89mm nel punto dove si intende effettuare l'installazione.

Spessore minimo della paratia = 6mm (1/4")

Spessore massimo della paratia = 12mm (1/2")

Vedere Fig. 8

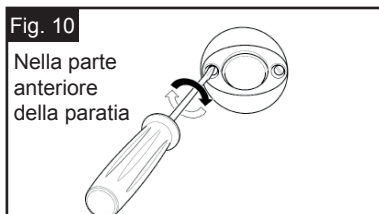
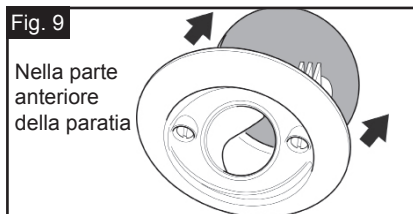


FASE 3 Per permettere l'installazione del supporto e degli anelli, le due viti devono essere smollate fino quasi al distacco dalla filettatura.

FASE 4 Verificare che l'anello di supporto di colore nero sia collocato al suo posto, dietro il supporto. Se quest'ultimo deve essere collocato su una superficie curva, sostituirlo con l'anello di supporto appropriato, secondo le indicazioni che seguono:

Su una superficie piana	Utilizzare l'anello nero già fissato al supporto angolato
Su una superficie leggermente ricurva- di raggio maggiore di 10 metri	Utilizzare l'anello blu
Su una superficie molto ricurva compresa tra 1-10 m	Utilizzare l'anello rosso

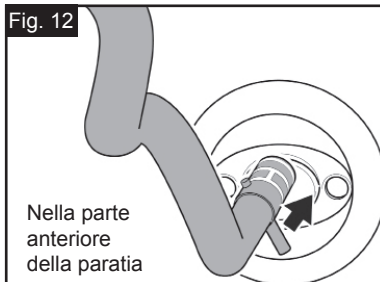
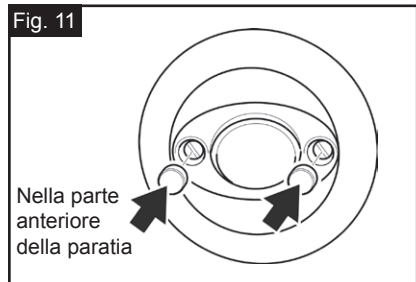
N.B In caso di sostituzione dell'anello di supporto nero con il rosso o il blu, verificare che vengano piazzati con la superficie piatta rivolta verso l'alto.



FASE 5 Collocare il supporto nel foro (Vedere Fig. 9). Installare stringendo bene le 2 viti nella parte frontale fino a che la flangia non sia fissata saldamente alla paratia (Vedere Fig. 10), cioè ben aderente in tutti i punti della circonferenza. Verificare che i fori delle viti si trovino su un piano orizzontale.

ATTENZIONE: Non stringere troppo le viti.

FASE 6 Premere le coperture di plastica nei fori delle viti a mano. (Vedere Fig. 11).



FASE 7 Inserire il manicotto in basso nel supporto fino a che il doccino non si trovi in posizione. (Vedere Fig. 12).

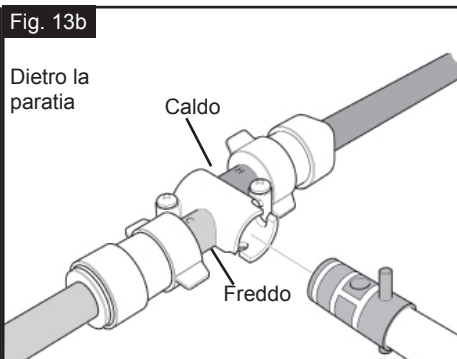
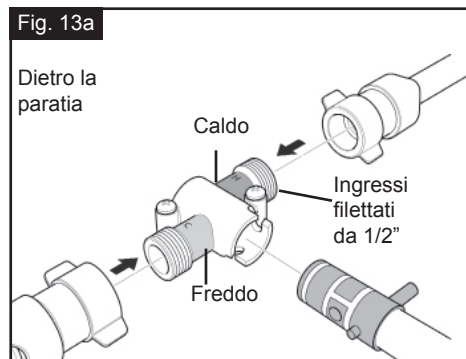
Per i particolari sulla tubatura, vedere il capitolo 8.

12. TUBATURA

PRAPARAZIONE DELLA TUBATURA

FASE 1 Staccare l'elettricità, aprire tutti i rubinetti e le docce (calde e fredde) per depressurizzare il sistema e rimuovere la doccia esistente.

FASE 2 Preparare le linee di tubatura calda e fredda in modo che vi siano attacchi adeguati per gli ingressi filettati da 1/2" del supporto della valvola (Vedere Fig. 13a).



TUBATURA – MODELLI DI MISCELATORE

Modelli DS0003B, DS0004B, DS0013B, DS0014B, DS0413B, DS0414B DS0006).

FASE 1 Fissare il supporto della valvola stringendo bene le viti apposite, con il cacciavite Pozi numero 2.

N.B La valvola dovrebbe essere installata il più vicino possibile al supporto. Ci deve essere spazio sufficiente per il foro del doccino, in modo che questo si possa estrarre e rimettere al suo posto facilmente (Vedere Fig. 2, Fig. 7).

N.B Per fissare bene l'unità, verificare che la superficie di montaggio della valvola abbia uno spessore minimo di 19mm (3/4").

FASE 2 Collegare le tubature calda e fredda all'ingresso filettato da 1/2". Se il collegamento avviene con adattatori idraulici Whale Quick Connect utilizzare due adattatori WX1532B (forniti solo con modelli venduti al dettaglio, disponibili separatamente per modelli all'ingrosso) (Fig. 13a e b).

FASE 3 Attaccare il manicotto della doccia al supporto della valvola. Inserire l'attacco a baionetta nel raccordo a T e ruotarlo di 30° in senso orario come indicato in Fig. 14.

N.B. Assicurarsi che il tubo che sia completamente inserito per una connessione sicura

FASE 4 Avvitare il morsetto a P alla paratia a una distanza di almeno 300 mm (12") dalla T supporto della valvola (Fig 14)

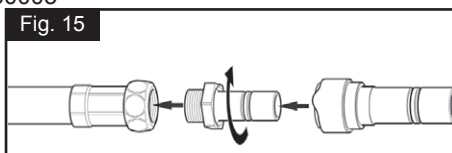
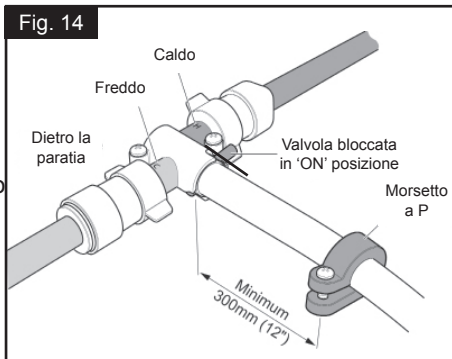
N.B. Per fissare bene l'unità, verificare che la superficie di montaggio della valvola abbia uno spessore minimo di 19mm (3/4").

FASE 5 Chiudere tutti i rubinetti e le docce. Quindi accendere la pompa dell'acqua e verificare che tutti gli attacchi siano asciutti. Testare il funzionamento di Whale Twist® (vedere capitolo 10).

TUBATURA – MODELLI CON SOLO ACQUA FREDDA

Modelli: DS0211B, DS0212B, DS0213B, DS0005

FASE 1 Connettere il manicotto della doccia alla tubatura (Fig. 15). Si connette direttamente ai raccordi rapidi Whale WX da 15mm, si consiglia si consiglia WU1215 (incluso).



FASE 2 Avvitare il morsetto a P alla paratia a una distanza di almeno 300 mm (12") dalla T della valvola (Vedere Fig. 14).

N.B. Per fissare bene l'unità, verificare che la superficie di montaggio della valvola abbia uno spessore minimo di 19mm (3/4").

FASE 3 Chiudere tutti i rubinetti e le docce, quindi accendere la pompa dell'acqua e verificare che tutti gli attacchi siano asciutti. Testare il funzionamento di Whale Twist® (vedere capitolo 14).

13. MANUTENZIONE

Per tutti i modelli Whale Twist®

Ripulire sia il doccino che la sua sede con acqua calda e sapone.

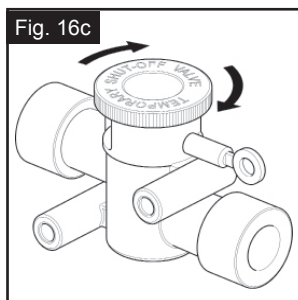
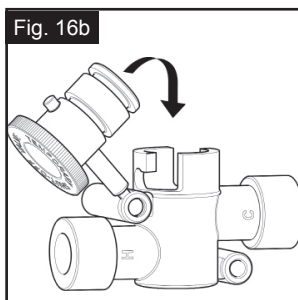
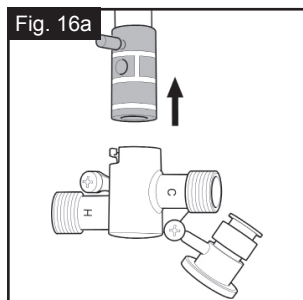
Non utilizzare agenti chimici.

Si raccomanda di ispezionare regolarmente la tubatura e le relative connessioni.

Per modelli con miscelatore

Se è necessario rimuovere il doccino ed il tubo per la sostituzione/installazione, agire dal lato del supporto ed inserire il rubinetto temporaneo come mostrato in figura.

(Vedere Fig. 16a, 16b, 16c). Questo permette di usare l'impianto d'acqua dolce anche durante la manutenzione del doccino.

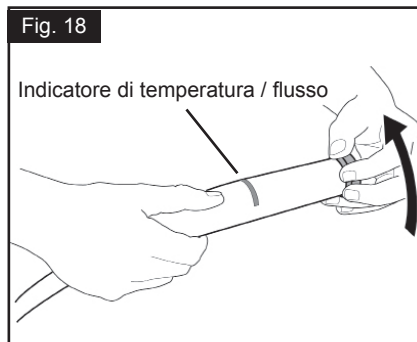
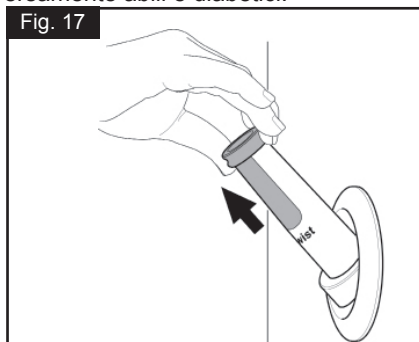


14. ISTRUZIONI PER L'USO

FASE 1 Estrarre dolcemente il doccino dalla sua sede (Vedere Fig. 17).

FASE 2 Impostare il flusso e la temperatura. (Per i modelli senza acqua calda non è prevista la regolazione della temperatura). Ruotare il doccino per impostare il flusso e la temperatura che si desidera. (Vedere Fig. 18).

ATTENZIONE: Per ragioni sanitarie e di sicurezza, la temperatura deve essere impostata a 38 °C (100 °F). Più alta sarà impostata, maggiore sarà il rischio di ustioni. Si raccomanda una particolare attenzione nei confronti di bambini, anziani, diversamente abili e diabetici.



FASE 3 La doccia può adesso essere utilizzata.

After Use

FASE 1 Ruotare la parte superiore del doccino sulla posizione 'off'

N.B. Assicurarsi che sia perfettamente chiuso prima di riparlo.

FASE 2 Ricollocare il doccino nella sede.

15. RISOLUZIONE PROBLEMI

SINTOMO	CAUSE POSSIBILI	SOLUZIONE
Flusso scarso	Ugelli della doccia ostruiti	Verificare che non ci siano ostruzioni nel doccino. Pulire il getto con acqua calda e sapone. (Non utilizzare agenti chimici)
Assenza di flusso	Probabilmente la pompa non sta funzionando. La valvola non è sulla posizione 'ON'	Controllare che la pompa sia in funzione Controllare che il supporto della valvola si trovi in posizione 'on' (Vedere Fig. 14)

16. INVERNAGGIO

Le gelate invernali possono danneggiare la doccia in pozzetto Whale Twist®.

Per evitarlo, accertarsi che il sistema sia completamente drenato.

1. Scolare il serbatoio d'acqua dolce usando la pompa o una valvola di scolo.
2. Accendere la pompa e aprire tutti i rubinetti (compresa la valvola di scolo) e lasciare che la pompa spurghi l'acqua dall'impianto.
3. Tenere aperta la doccia in pozzetto Whale Twist® fino a che il flusso dell'acqua non si esaurisce.
4. Chiudere la doccia in pozzetto Whale Twist®.
5. Chiudere l'interruttore d'isolamento di corrente per la pompa dell'acqua.
6. **Si raccomanda di lasciare aperti tutti gli sbocchi (tranne la doccia in pozzetto Whale Twist®) per evitare danni.**

17. DETTAGLI SERVIZIO ASSISTENZA

Per l'installazione o l'assistenza contattare il servizio clienti Whale:

Tel: +44 (0)28 9127 0531

Email: info@whalepumps.com

USA Tel: +1 616 897 9241

Email USA: usasales@whalepumps.com

N.B: Il manicotto della doccia in pozzetto Whale Twist® deve essere sostituito ogni 5 anni.

18. MARCHI E BREVETTI

WHALE®, WHALE TWIST® e DECK PROTECT® sono marchi registrati di Munster Simms Engineering Limited (commercializzati anche come Whale Water Systems).

La doccia in pozzetto Whale Twist® è protetta dalle seguenti registrazioni del brevetto e del disegno:

Numero brevetto USA: 0621530.5

Numero brevetto europeo: 07119601.8

Numero brevetto Norvegia: 0621530.5

Numero brevetto Nuova Zelanda: 562931

Numero brevetto Australia: 2007231705

Numero brevetto USA: 11/814640

Numero brevetto UK: 0711496.0

Numero brevetto UK: 0719338.6

Registrazione disegno:

Europa: 000760632.0001

Europa: 760632

Europa: 000305957

Australia: 21517/2007

Australia: 21518/2007

Canada: 124293

Canada: 124924

USA: 29/299,514

USA: 29/299,515

19. GARANZIA

La doccia in pozzetto Whale Twist® è coperta da un anno di garanzia.

Per conoscere in dettaglio la garanzia, si invita a prendere visione della copia della Dichiarazione di garanzia limitata Whale, allegata.

©Copyright Whale 2019 – Tutti i diritti riservati. La riproduzione totale o parziale è vietata senza il nostro consenso. WHALE® è un marchio registrato di Munster Simms Engineering Limited, Bangor, Northern Ireland operante come Whale. La politica di Whale è quella di apportare continui miglioramenti e quindi ci riserviamo il diritto di modificare le specifiche senza previa comunicazione. Le immagini hanno scopo meramente orientativo .

L'azienda non garantisce la precisione né la completezza delle informazioni contenute in questa o in altra documentazione del prodotto che possono essere soggette a cambiamenti a discrezione unica dell'azienda.

Munster Simms Engineering Ltd.

2 Enterprise Road, Bangor, N. Ireland BT19 7TA

www.whalepumps.com

Gracias por comprar este producto Whale.

Durante más 70 años Whale ha liderado el sector de diseño y fabricación de sistemas de aguas dulces y residuales: tuberías, griferías, duchas y bombas para aplicaciones de bajo voltaje. La empresa y sus productos han adquirido gran reputación por su calidad, fiabilidad e innovación, reforzados por un excelente servicio de atención al cliente. Para obtener información sobre nuestra gama completa de productos visite: www.whalepumps.com

1. ESPECIFICACIONES

Código	Tipo de modelo	Color	Carcasa (Materiales)	Tamaño de la manguera	
DS0003B	Mezclador	Azul y blanco	Recta (cromo)	2.5m (8.2ft)	
DS0004B			Ángulo (blanco)		
DS0005	Fría solamente	Gris y blanco	Recta (cromo) y Ángulo (blanco)	2.1m (6.9ft)	
DS0006	Mezclador			Recta (cromo)	2.5m (8.2ft)
DS0013B					
DS0014B					
DS0211B	Fría solamente		Negro y blanco	Recta (cromo)	2.1m (6.9ft)
DS0212B				Ángulo (blanco)	
DS0213B		Ángulo (negro)			
DS0411B	Mezclador	Gris y blanco	Recta (cromo)	4m (13.1ft)	
DS0412B			Ángulo (blanco)		
DS0413B			Recta (cromo)		
DS0414B			Ángulo (blanco)		

2. ÍNDICE DE MATERIAS

- | | |
|--|---------------------------------------|
| 1. Especificaciones | 12. Tuberías - Todos los modelos |
| 2. Lista de contenidos | 13. Mantenimiento |
| 3. Para el usuario | 14. Instrucciones de uso |
| 4. Para el instalador | 15. Solución de problemas |
| 5. Principios de funcionamiento | 16. Hibernación |
| 6. Aplicación | 17. Detalles de servicio y asistencia |
| 7. Advertencias | 18. Garantía |
| 8. Lista de piezas: Opción de carcasa recta | |
| 9. Instalación: Opción de carcasa recta | |
| 10. Lista de piezas: Opción de carcasa en ángulo | |
| 11 Instalación: Opción de carcasa en ángulo | |

LISTA DE ILUSTRACIONES

Fig 1 Carcasa recta - Producto completo	Fig 10 Tornillos de apriete
Fig 2 Carcasa recta - anchura y altura	Fig 11 Tapas de los tornillos de inserción
Fig 3 Carcasa recta - Orificio de taladro	Fig 12 Orificio de inserción
Fig 4a Carcasa recta - Orificio de inserción	Fig 13a Disposición de la tubería
Fig 4b Carcasa recta - Tuerca de bloqueo	Fig 13b Montaje de la tubería
Fig 5 Carcasa recta - Orificio de inserción	Fig 14 Tubería y manguera instaladas
Fig 6 Carcasa en ángulo Producto completo	Fig 15 Conexión de manguera y tubería
Fig 7 Carcasa en ángulo - anchura y altura	Fig 16 Mantenimiento
Fig 8 Carcasa en ángulo, Orificio de taladro	Fig 17 Funcionamiento
Fig 9 Carcasa en ángulo, Orificio de inserción	Fig 18 Funcionamiento

3. PARA EL USUARLO

Antes de la instalación lea estos consejos con atención.

ADVERTENCIA: Tenga en cuenta que una instalación incorrecta puede invalidar la garantía.

4. PARA EL INSTALADOR

Compruebe que el producto sea adecuado para el uso previsto, siga las instrucciones de instalación y asegúrese de que el personal de instalación lea los puntos siguientes. Asimismo, debe pasar estas instrucciones de instalación al usuario final.

5. PRINCIPIOS DE FUNCIONAMIENTO

La ducha para cubierta Whale Twist® es un producto exclusivo e innovador que incorpora controles de caudal y de temperatura. El diseño sencillo de la carcasa se complementa con las elegantes líneas de la cubierta de la embarcación. Todos los modelos Whale Twist® sólo requieren efectuar un único orificio circular y tienen una tubería fácil de instalar.

6. APLICACIÓN

La ducha para cubierta Whale Twist® se ha diseñado para instalar en las superficies planas o ligeramente curvadas de la cubierta o de la estampa de popa de las embarcaciones recreativas, caravanas o vehículos y no es adecuada para instalaciones domésticas. Tanto si se destina para otras aplicaciones o con cualquier otro líquido, será responsabilidad del usuario asegurarse de que la bomba es adecuada para este uso y que los líquidos son totalmente compatibles con los materiales de la bomba.

7. ADVERTENCIAS

Ajuste de la temperatura: Para no quemarse (sea cual sea el sistema de calentamiento del agua y los dispositivos de control que se usen), la temperatura del agua caliente de los grifos y duchas se debe regular entre 43 °C y 60 °C ((110 °F y 140 °F) con un ajuste a prueba de fallos a 82 °C (180 °F).



PRECAUCIÓN: Idealmente, la temperatura del agua de la ducha debería ser de 38 °C (100 °F) por razones de salud y seguridad, temperaturas más altas aumentan el riesgo de quemaduras por escaldadura. Las personas más susceptibles de sufrir quemaduras son los niños, los ancianos, los discapacitados y los diabéticos.

ADVERTENCIA: La ducha para cubierta Whale Twist® no es adecuada para instalaciones domésticas.

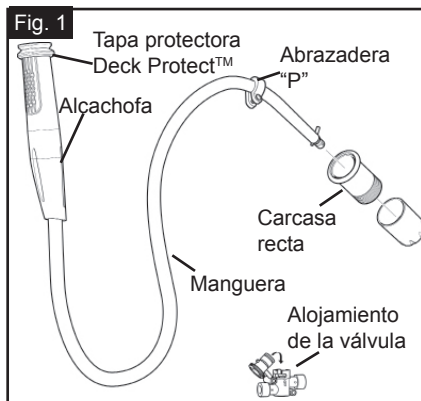
8. LISTA DE PIEZAS - MODELOS DE CARCASA RECTA

VERSIÓN CON MEZCLADOR

- 1 Alcachofa y manguera con abrazadera "P"
- (tornillos suministrados)
- 1 Carcasa recta
- 1 Tuerca de bloqueo
- 1 Alojamiento de la válvula incluye adjunto
válvula de cierre temporal (con dos
tornillos de retención)
- 2 WX1532B - adaptador hembra de 1/2" BSP
(solo minorista)

VERSIÓN SÓLO DE AGUA FRÍA

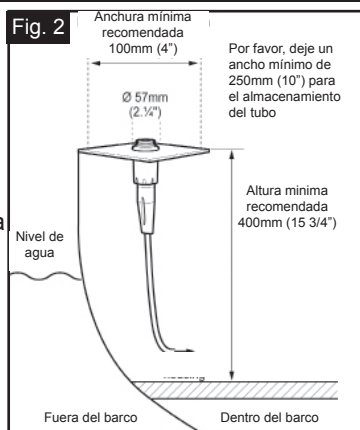
- 1 Carcasa recta
- 1 Tuerca de bloqueo
- 1 WX1532B - adaptador hembra de 1/2" BSP
- 1 Alcachofa y manguera con abrazadera "P" (tornillos suministrados)



9. INSTALACIÓN DE LA CARCASA RECTA

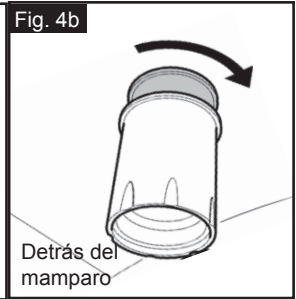
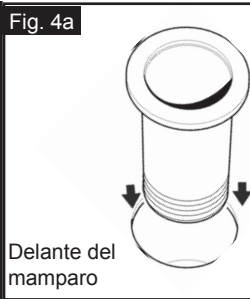
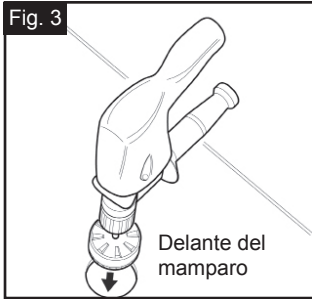
PASO 1 Elija una ubicación adecuada donde instalar la ducha. El diseño exclusivo permite instalar la ducha en una superficie plana ou curva, en un plano horizontal o en ángulo. Debe comprobar que haya suficiente espacio para estibar la ducha de teléfono y la manguera. (Ver Fig. 2). Monte las conexiones de la tubería y la abrazadera "P" tan cerca como sea posible de la carcasa de la ducha para disponer de la máxima longitud posible de la manguera cuando use la ducha.

Nota: Antes de la instalación compruebe que haya suficiente espacio para estibar la manguera de la ducha. Asimismo, asegúrese de que no haya obstáculos que impidan tirar de la manguera.



PASO 2 Teniendo en cuenta las restricciones de altura y anchura indicadas en la Fig. 2, taladre un orificio circular de 50 mm (2") de diámetro en la superficie

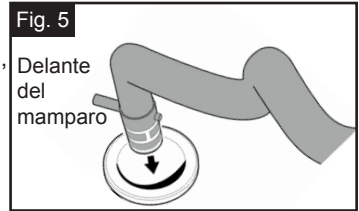
horizontal o inclinada. (Ver Fig. 3) Nota: grosor mínimo de la superficie de montaje: 3 mm; grosor máximo de la superficie de montaje: 19 mm.



PASO 3 Pase la carcasa a través del orificio. Asegúrela a mano apretando la tuerca de bloqueo sobre la carcasa detrás de la regala, cubierta o mamparo. Ver Fig. 4a y 4b.

PASO 4 Haga pasar la manguera por la carcasa hasta que la alcachofa se coloque en su lugar. (Ver Fig. 5).

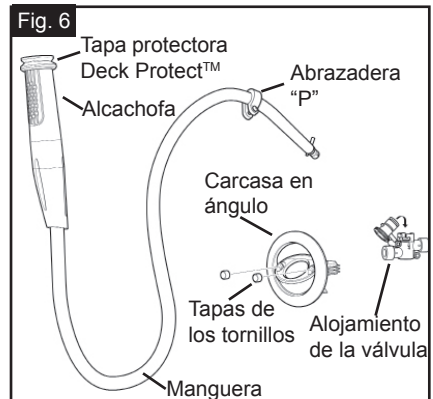
Consulte la sección 8 para la instalación de la tubería.



10. MODELOS DE CARCASA EN ÁNGULO

MODELOS DE CARCASA EN ÁNGULO VERSIÓN CON MEZCLADOR

- 1 Alcachofa y manguera con abrazadera "P" suministrada
- 1 Carcasa en ángulo (con 3 arandelas de soporte: negro, rojo y azul)
- 2 Tapas de tornillos
- 1 Alojamiento de la válvula (con dos tornillos de retención) Incluye adjunto válvula de cierre temporal.
- 2 WX1532B - adaptador hembra de 1/2" BSP (suministrado sólo en modelos para venta en tiendas, disponible aparte en los modelos para venta al por mayor)



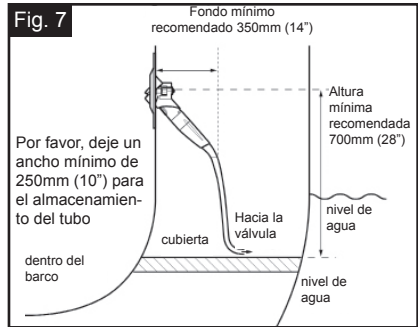
VERSIÓN SÓLO DE AGUA FRÍA

- 1 Alcachofa y manguera con abrazadera "P" suministrada
- 1 Carcasa en ángulo (con 3 arandelas de soporte: negro, rojo y azul)
- 2 Tapas de tornillos
- 1 WX1532B - adaptador hembra de 1/2" BSP

11. SOPORTE EN ÁNGULO - INSTALACIÓN

PASO 1 Elija una ubicación adecuada donde instalar la ducha. El diseño exclusivo permite instalar la ducha en una superficie plana o curva en un plano vertical o en ángulo.

Nota Curvatura máxima = 1 metro de radio. Debe comprobar que haya suficiente espacio para estibar la alcachofa y la manguera. (Ver Fig. 7). Monte las conexiones de la tubería y la abrazadera "P" tan cerca como sea posible de la carcasa de la ducha para disponer de la máxima longitud posible de la manguera cuando use la ducha.

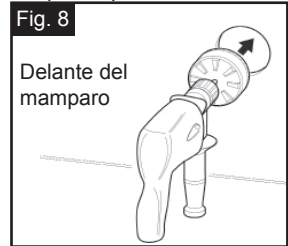


Nota: Antes de la instalación compruebe que haya suficiente espacio para estibar la manguera de la ducha. Asimismo, asegúrese de que no haya obstáculos que impidan tirar de la manguera.

PASO 2 Taladre un orificio circular de 89 mm (3 1/2") de diámetro en el mamparo, por encima de la línea de flotación.

Grosor mínimo de mamparo = 6 mm (1/4")

Grosor máximo de mamparo = 12 mm (1/2") Ver Fig. 8

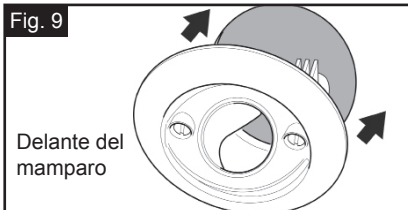


PASO 3 Para facilitar la instalación del soporte y de los anillos de soporte, los dos tornillos deben aflojarse hasta casi desacoplarse de la parte roscada.

PASO 4 Coloque la arandela de soporte de color negro detrás de la carcasa. Si la carcasa se va a colocar en una superficie curva, reemplácela por la arandela de soporte apropiada, como se explica a continuación.

Superficie plana	Utilice la arandela negra montada en la carcasa en ángulo
Superficie ligeramente curva: radio superior a 10m (33ft)	Utilice la arandela de soporte azul
Superficies muy curvadas: radio entre 10m (33ft) y 1m (3.3 ft)	Utilice la arandela de soporte roja

Nota Si sustituye la arandela de soporte con las arandelas azul o roja, compruebe que las instala con la parte plana hacia arriba.

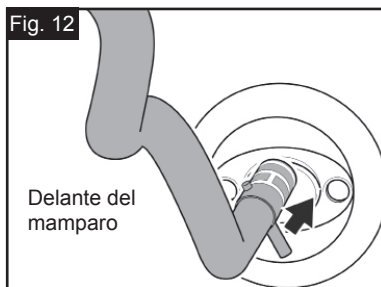
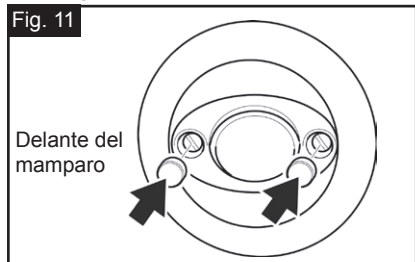


PASO 5 Pase la carcasa a través del orificio (Ver Fig. 9).

Asegure la instalación con los dos tornillos en la parte frontal hasta que la brida quede firmemente montada en el mamparo (Ver Fig. 10), es decir, que haga contacto en todos los puntos de la circunferencia. Todos los orificios de los tornillos deben quedar en un plano horizontal.

PRECAUCIÓN No apriete en exceso.

PASO 6 Presione con la mano las tapas de plástico sobre los orificios de los tornillos (Ver Fig. 11).11)



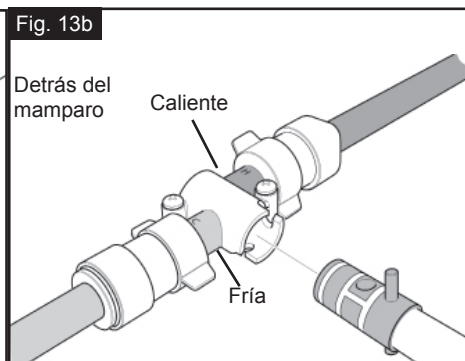
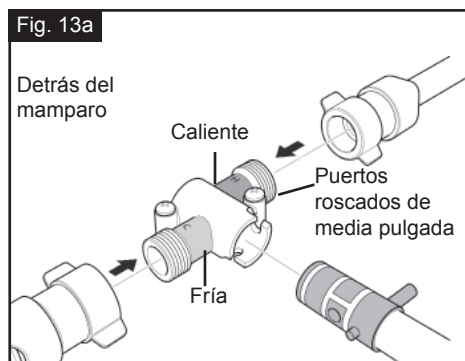
PASO 7 Haga pasar la manguera por la carcasa hasta que la alcahofa se coloque en su lugar. (Ver Fig. 12). Consulte la sección 8 para la instalación de la tubería.

12. TUBERÍA

PREPARACIÓN

PASO 1 Desconecte la energía eléctrica, abra grifos y duchas (agua caliente y fría) para despresurizar el sistema y eliminar restos de agua.

PASO 2 Prepare las tuberías de agua caliente y fría para que tengan las conexiones apropiadas a los puertos con rosca de media pulgada del alojamiento de la válvula (Ver Fig. 13a).



TUBERÍA - Modelos Con Mezclador

Códigos: DS0003B, DS0004B, DS0013B, DS0014B, DS0413B, DS0414B DS0006).

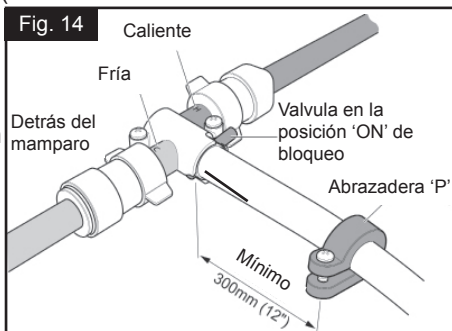
PASO 1 Con un destornillador nº 2 asegure el alojamiento de la válvula con los tornillos suministrados.

Nota La válvula se ha de instalar tan cerca de la carcasa como sea posible. Se ha de dejar espacio suficiente para poder tirar fácilmente de la manguera de la ducha de teléfono y para recogerla al estibarla (Ver Fig. 2, Fig. 7).

Nota Para asegurar la instalación, la superficie de montaje de la válvula debe tener un grosor mínimo de 19 mm (3/4").

PASO 2 Conecte las tuberías de agua caliente y fría en los puertos roscados de media pulgada. Si instala los montajes para conexión rápida de tuberías de Whale, utilice los dos montajes WX1532B (suministrados sólo en modelos de venta al por menor, disponibles aparte para modelos al por mayor). (Ver las Fig. 13a y 13b).

PASO 3 Monte la manguera de la ducha en el alojamiento de la válvula. Empuje hasta que el vástago se introduzca en la ranura, gire hacia la derecha 30 grados hasta la posición "on" de bloqueo (Ver Fig. 14).



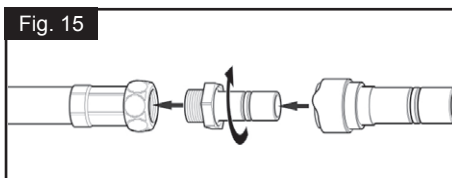
PASO 4. Montaje de la abrazadera "P" en el mamparo. Atornille la abrazadera "P" en el mamparo a una distancia mínima de 300 mm (12") del alojamiento de la válvula (Ver Fig. 14).

Nota: Para asegurar la instalación, la superficie de montaje de la abrazadera "P" debe tener un grosor mínimo de 19 mm (3/4").

PASO 5 Cierre grifos y duchas. Conecte la bomba de agua y compruebe que las conexiones no tengan fugas. Compruebe el funcionamiento de Whale Twist (ver sección 10).

TUBERÍAS - Modelos Sólo De Agua Fría - Códigos: DS0211B, DS0212B, DS0213B, DS0005

PASO 1 Conecte la manguera de la ducha a la tubería (Ver Fig. 15). Conecte directamente a la tubería de conexión rápida, utilice WU1215 (incluido).



PASO 2 Atornille la abrazadera "P" en el mamparo a una distancia mínima de 300 mm (12") del alojamiento de la válvula (Ver Fig. 14).

Nota Para asegurar la instalación, la superficie de montaje de la abrazadera "P" debe tener un grosor mínimo de 19 mm (3/4").

PASO 3 Cierre los grifos y las duchas, conecte la bomba de agua y compruebe que las conexiones no tengan fugas. Compruebe el funcionamiento de Whale Twist (ver sección 14).

13. MANTENIMIENTO

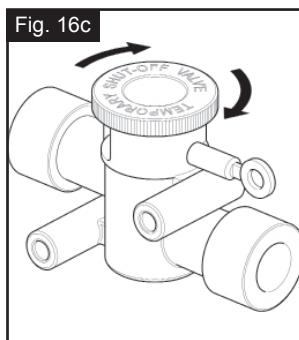
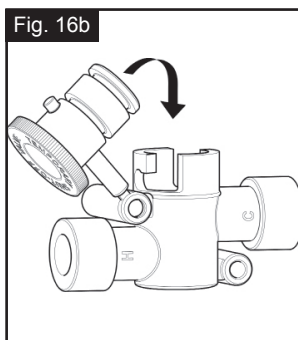
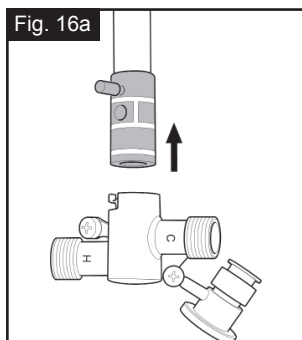
Todos los modelos Whale Twist®.

Limpie la carcasa y la alcachofa con agua jabonosa tibia.

No use ningún tipo de agente químico de limpieza.

Inspeccione regularmente las conexiones de la tubería y la manguera.

Para modelos Mixer - Si fuera necesario sacar la manguera y la alcachofa para su sustitución, retire la manguera de la base e inserte la válvula de cierre temporal como se muestra en la figura (Ver Fig. 16a, 16b, 16c). Esto le permite usar el sistema de agua dulce hasta que la nueva manguera sea instalada.

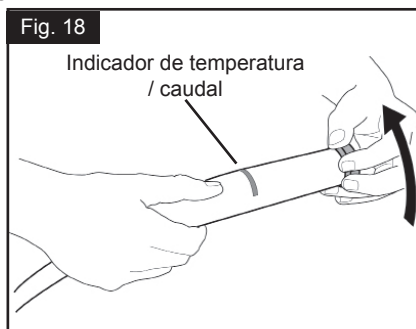
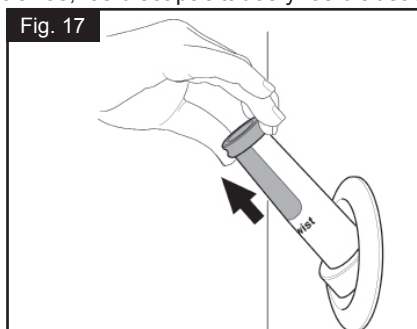


14. INSTRUCCIONES DE USO

PASO 1 Tire de la alcachofa suavemente para sacarla de su alojamiento. (Ver Fig 17).

PASO 2 Ajuste el caudal y la temperatura. (En los modelos sólo de agua fría no se ajusta la temperatura.) Gire la alcachofa para conseguir el caudal y la temperatura que desee. (Ver Fig. 18).

PRECAUCIÓN: Por razones de salud y seguridad, la temperatura del agua se debe ajustar a 38°C/100°F. Una temperatura más elevada aumenta el riesgo de quemaduras. Las personas más susceptibles de sufrir quemaduras son los niños, los ancianos, los discapacitados y los diabéticos.



PASO 3 Disfrute de la ducha.

Después de usar

PASO 1 Gire la parte superior de la alcachofa a la posición “off”.

Nota: La ducha de teléfono debe estar completamente cerrada cuando se vaya a estibar.

PASO 2 Vuelva a colocar la alcachofa en su alojamiento.

15. SOLUCIÓN DE PROBLEMAS

SÍNTOMA	POSIBLES CAUSAS	SOLUCIÓN
Caudal limitado	Boquillas de las duchas bloqueadas	Limpie cualquier obstrucción de la alcachofa Utilizar agua tibia jabonosa (no use ningún tipo de agente químico de limpieza).
No hay caudal	Quizás la bomba no funcione. El cuerpo de la válvula no esta firme en la posición “on”.	Compruebe que la bomba funcione. Compruebe que el alojamiento de la válvula esté en posición “on”(Ver Fig. 14).

16. HIBERNACIÓN

En invierno las heladas pueden dañar la ducha para cubierta Whale Twist®.

Para evitarlo, debe asegurarse de que el sistema esté completamente drenado.

1. Vacíe el depósito de agua dulce con la bomba o una válvula de drenaje.
2. Conecte la bomba y abra todos los grifos (incluida la válvula de drenaje); deje que la bomba purgue el agua del sistema.
3. Abra la ducha para cubierta Whale Twist® hasta que cese el flujo de agua.
4. Cierre la ducha para cubierta Whale Twist®.
5. Desconecte el interruptor de la bomba de agua.
6. **Recuerde que debe dejar los desagües abiertos (excepto la ducha para cubierta Whale Twist®) para evitar cualquier daño.**

17. DETALLES DE SERVICIO Y ASISTENCIA

Para obtener asesoramiento sobre la instalación y el servicio póngase en contacto con el servicio de atención al cliente de Whale:

Tel: +44 (0)28 9127 0531
info@whalepumps.com

USA Tel: +1 616 897 9241
usasales@whalepumps.com

Nota: La manguera de la ducha para cubierta Whale Twist® se debe reemplazar después de 5 años de uso.

18. PATENTES Y MARCAS COMERCIALES

WHALE®, WHALE TWIST® y DECK PROTECT® son marcas comerciales de Munster Simms Engineering Limited (comercializadas también como Whale Seaward Inc.).

La ducha para cubierta Whale Twist® está protegida por las siguientes patentes y registros de diseño:

Brevet américain: 0621530.5

Número de patente de Europa: 07119601.8

Número de patente de Noruega: 0621530.5

Número de patente de Nueva Zelanda: 562931

Número de patente de Australia: 2007231705

Brevet américain: 11/814640

Número de patente del Reino Unido: 0711496.0

Número de patente del Reino Unido: 0719338.6

Design Registration:

Europa: 000760632.0001

Europa: 760632

Europa: 000305957

Australia: 21517/2007

Australia: 21518/2007

Canadá: 124293

Canadá: 124924

EE.UU: 29/299,514

EE.UU: 29/299,515

19. GARANTÍA

La ducha de teléfono Whale Twist® está cubierta por 1 año de garantía.

Para obtener detalles sobre la garantía, consulte la copia adjunta de la declaración de garantía limitada de Whale.

©Copyright Whale® - 2019. Todos los derechos reservados. Queda prohibida la reproducción total o parcial sin permiso. WHALE® es una marca registrada de Munster Simms Engineering Limited, Bangor, Irlanda del Norte comerciada como Whale. La política de Whale está en continua mejora, por lo que nos reservamos el derecho a modificar las especificaciones sin previo aviso. Las ilustraciones únicamente son orientativas.

La compañía no garantiza la precisión ni la totalidad de la información recogida en esta o en cualquier otra documentación del producto y está sujeta a cambios a su discreción.

Munster Simms Engineering Ltd.

2 Enterprise Road, Bangor, N. Ireland BT19 7TA

www.whalepumps.com

Vielen Dank, dass Sie sich für dieses Produkt von Whale entschieden haben. Whale ist seit mehr als 70 Jahren führend in Entwicklung und Herstellung von Frisch- und Abwassersystemen, wie z.B. Rohrleitungen, Wasserhähnen, Duschen und Pumpen für Gleichstromnetze. Das Unternehmen und seine Produkte sind weltweit für ihre Qualität, Zuverlässigkeit und Innovation bekannt. Der einzigartige Kundenservice des Unternehmens rundet die perfekte Angebotspalette ab. Für Informationen über unsere vollständige Produktpalette gehen Sie zu: www.whalepumps.com

1. SPEZIFIKATIONEN

Code	Model	Farbe	Gehäuse (Material)	Schlauchgröße
DS0003B	Mischbatterie	Blau und weiß	Gerades (chrome)	2.5m (8.2ft)
DS0004B			Abgewinkeltes (weiß)	
DS0005	Nur Kaltwasser	Grau und weiß	Gerades (chrome) und Abgewinkeltes (weiß)	2.1m (6.9ft)
DS0006	Mischbatterie		Gerades (chrome)	2.5m (8.2ft)
DS0013B				
DS0014B			Gerades (chrome)	
DS0211B			Abgewinkeltes (weiß)	
DS0212B	Nur Kaltwasser		Zwart und weiß	Abgewinkeltes (zwart)
DS0213B		Grau und weiß	Gerades (chrome)	4m (13.1ft)
DS0411B	Abgewinkeltes (weiß)			
DS0412B	Gerades (chrome)			
DS0413B	Abgewinkeltes (weiß)			
DS0414B	Mischbatterie			

2. INHALT UND GRAFIKEN

- | | |
|---|--|
| 1. Technische spezifikationen | 11. Montage: Modell mit abgewinkeltem Duschgehäuse |
| 2. Inhalt und grafiken | 12. Rohrleitungsverlegung – Alle Modelle |
| 3. Hinweise für den verbraucher | 13. Wartung und Pflege |
| 4. Hinweise für den monteur | 14. Gebrauchsanweisung |
| 5. Betriebsrichtlinien | 15. Fehlerbehebung |
| 6. Anwendung | 16. Einwintern |
| 7. Warnhinweise | 17. Service und Support |
| 8. Teileliste: Modell mit geradem Duschgehäuse | 18. Patente und Schutzmarken |
| 9. Montage: Modell mit geradem Duschgehäuse | |
| 10. Teileliste: Modell mit abgewinkeltem Duschgehäuse | |

Liste Der Abbildungen

- Abb. 1 Gerades Gehäuse – Vollständiges Produkt
- Abb. 2 Gerades Gehäuse – Breiten- und Höheneinschränkungen
- Abb. 3 Gerades Gehäuse - Bohrloch
- Abb. 4a Gerades Gehäuse – Gehäuse durch Bohrloch einführen
- Abb. 4b Gerades Gehäuse – Sicherungsmutter festziehen
- Abb. 5 Gerades Gehäuse – Schlauch einführen
- Abb. 6 Abgewinkeltes Gehäuse – Vollständiges Produkt
- Abb. 7 Abgewinkeltes Gehäuse – Breiten- und Höheneinschränkungen
- Abb. 8 Abgewinkeltes Gehäuse - Bohrloch
- Abb. 9 Abgewinkeltes Gehäuse – Gehäuse durch Bohrloch einführen
- Abb. 10 Abgewinkeltes Gehäuse – Schrauben festziehen
- Abb. 11 Abgewinkeltes Gehäuse – Schraubkappen aufsetzen
- Abb. 12 Abgewinkeltes Gehäuse – Schlauch einführen
- Abb. 13a Rohrleitungsanordnung – Modelle mit Mischbatterie
- Abb. 13b Anbringen der Rohrleitungen – Modelle mit Mischbatterie
- Abb. 14 Rohrleitungen und Schlauch montiert (Ventil in Verriegelungsstellung)
- Abb. 15 Verbindung Schlauch-Rohrleitungen – Modelle ohne Warmwasser
- Abb. 16 Wartung und Pflege - a, b, c für mixer modelle
- Abb. 17 Betrieb – Herausziehen des Handset für die Anwendung
- Abb. 18 Betrieb – Handset drehen, um Durchfluss und Temperatur einzustellen

3. HINWEISE FÜR DEN VERBRAUCHER

Bitte lesen Sie die folgenden Informationen sorgfältig durch, bevor Sie das Gerät montieren. **WARNUNG:** Bitte beachten Sie, dass durch eine falsche Montage die Garantie erlöschen kann.

4. HINWEISE FÜR DEN MONTEUR

Vergewissern Sie sich, dass das Produkt für den vorgesehenen Einsatz geeignet ist, befolgen Sie diese Montageanleitung und verlassen Sie, dass alle notwendigen Mitarbeiter die unten aufgeführten Punkte durchlesen. Stellen Sie des Weiteren sicher, dass der Endverbraucher diese Betriebsanleitung erhält.

5. BETRIEBSRICHTLINIEN

Die Whale Twist®-Deck-Dusche hat ein einzigartiges, innovatives Handset mit eingebauter Temperatur- und Durchflusssteuerung. Die beiden unauffälligen Duschgehäuseausführungen passen perfekt zu den geschmeidigen Linien des Schiffdecks. Bei allen Whale Twist®-Modellen ist nur ein einziges kreisförmiges Loch zu bohren. Die Modelle sind einfach an Rohrleitungen anzuschließen.

6. ANWENDUNG

Die Whale Twist® –Deck-Dusche ist für die Montage auf flachen oder leicht gewölbten Oberflächen auf dem Deck oder dem Heck von Sport- und Freizeitbooten oder Fahrzeugen gebaut und ist nicht für die Verwendung in der Wohnung oder im Haus geeignet.

7. WARNHINWEISE

Um Verbrühungen zu vermeiden (unabhängig von der Heizmethode für das Wasser oder die verwendeten Steuergeräte), sollte die Temperatur für das Warmwasser für die Wasserhähne und Duschen immer zwischen 43°C und 60°C gehalten werden und eine Ausfallsicherung sollte bei 82°C eingestellt werden



ACHTUNG: Idealerweise sollte die Duschtemperatur aus Gesundheits- und Sicherheitsgründen auf 38 °C eingestellt werden. Höhere Einstellungen können zu Verbrühungsverletzungen führen. Am stärksten gefährdet sind Kinder, ältere oder behinderte Menschen und Diabetiker.

WARNUNG: Die Whale Twist®-Deck-Dusche ist **nicht** für die Verwendung in der Wohnung oder im Haus geeignet.

8. TEILELISTE – MODELLE MIT GERADEM DUSCHGEHÄUSE

MODELL MIT MISCHBATTERIE

2 WX1532B - Adapter mit 1/2"-Zoll-BSP Innengewinde (Einzelhandel mit geliefert)

1 Handset und Schlauch mit P-Klemme
(Schraube mitgeliefert)

1 Gerades Duschgehäuse

1 Sicherungsmutter

1 Ventilgehäuse - beigefügt (einschließlich 2
Feststellschrauben)

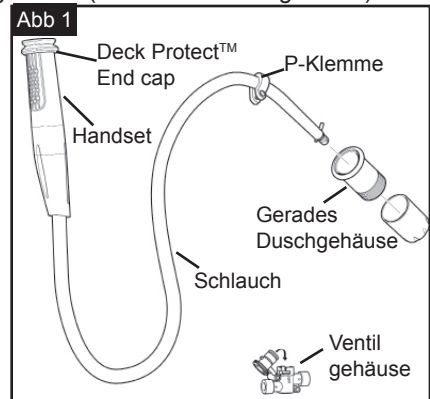
MODELL OHNE WARMWASSER

1 Handset und Schlauch mit P-Klemme
(Schraube mitgeliefert)

1 gerades Duschgehäuse

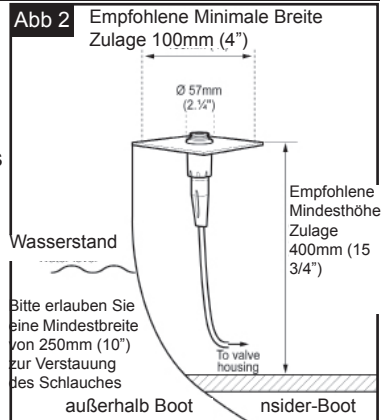
1 Sicherungsmutter

1 WX1532B - Adapter mit 1/2"-Zoll-BSP
Innengewinde



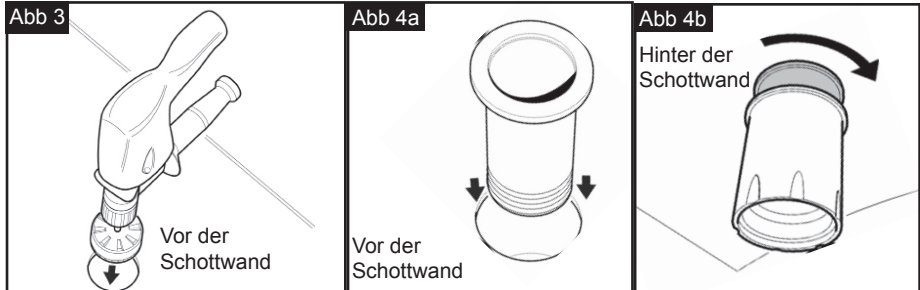
9. MONTAGE DES GERADEN DUSCHHALTERS

SCHRITT 1 Wählen Sie einen geeigneten Installationsort für die Dusche aus. Die einzigartige Ausführung ermöglicht es, die Dusche auf einer flachen Oberfläche oder auf einer horizontalen oder winkligen Ebene aufzustellen. Sorgen Sie dafür, dass es genügend Platz für das Handset und den Schlauch gibt, wenn Sie beide in der Wand verstauen. (Siehe Abb. 2). Achten Sie darauf, dass die Rohrleitungsverbindungen und die P-Klemme so nah wie möglich am Handsetgehäuse montiert werden, um die größtmögliche nutzbare Schlauchlänge zu erzielen.



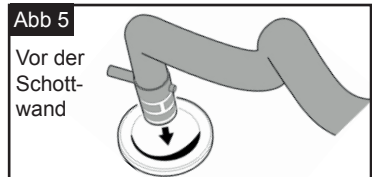
Bitte beachten Sie: Achten Sie vor der Installation darauf, dass genügend Platz für den Duschschlauch vorhanden ist, wenn dieser in der Wand verstaubt wird. Sorgen Sie auch dafür, dass der Schlauch sich beim Herausziehen nicht blockiert.

SCHRITT 2. Bohren Sie unter Berücksichtigung der Höhen- und Breitereinschränkungen aus Abbildung 2 ein kreisförmiges Loch mit einem Durchmesser von 50 mm (2") in die Schottwand über dem Wasserspiegel. (Siehe Abb. 3) Bitte beachten Sie: - Mindestdicke der Montagefläche: 3mm (1/8"); Maximale Dicke der Montagefläche 19mm (3/4").



SCHRITT 3 Schieben Sie das Duschgehäuse in das Loch. Sichern Sie das Gehäuse, indem Sie die Sicherungsmutter auf dem Gehäuse hinter der Schottwand mit der Hand festziehen. Siehe Abb. 4a und 4b.

SCHRITT 4 Führen Sie den Schlauch durch das Gehäuse hindurch, bis das Handset in der gewünschten Position ist. (Siehe Abb. 5). Für Einzelheiten zu den Rohrleitungen siehe Abschnitt 8.



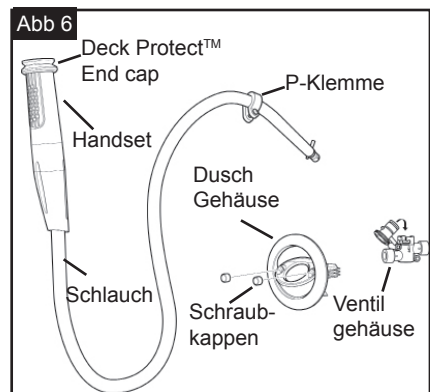
10. MODELLE MIT ABGEWINKELTEM DUSCHGEHÄUSE

MODELL MIT MISCHBATTERIE

- 1 Handset und Schlauch mit beigefügter PKlemme
- 1 abgewinkeltes Duschgehäuse (mit 3 mitgelieferten Stützringen: - schwarz, rot und blau)
- 2 Schraubkappen
- 1 Ventilgehäuse - beigefügt (einschließlich 2 Feststellschrauben)
- 2 2 WX1532B - Adapter mit 1/2"-Zoll-BSP Innengewinde (Einzelhandel mit geliefert)

MODELL OHNE WARMWASSER

- 2 Schraubkappen
- 1 Handset und Schlauch mit beigefügter P-Klemme
- 1 abgewinkeltes Duschgehäuse (mit 3 mitgelieferten Stützringen: - schwarz, rot und blau)
- 1 WX1532B - Adapter mit 1/2"-Zoll-BSP Innengewinde



11. Abgewinkelter Duschalter - Montage

SCHRITT 1 Wählen Sie einen geeigneten Installationsort für die Dusche aus. Die einzigartige Ausführung ermöglicht es, die Dusche auf einer vertikalen oder abgewinkelten lachen oder gewölbten Oberfläche aufzustellen.

Maximale Krümmung = Radius 1 Meter.
Sorgen Sie dafür, dass es genügend Platz für das Handset und den Schlauch gibt, wenn Sie diese in der Wand verstauen. (Siehe Abb. 7).

Achten Sie darauf, dass die Rohrleitungsverbindungen und die P-Klemme sonah wie möglich am Handsetgehäuse montiert werden, um die größtmögliche nutzbare Schlauchlänge zu erzielen.

Bitte beachten Sie: Achten Sie vor der Installation darauf, dass genügend Platz für den Duschschlauch vorhanden ist, wenn dieser in der Wand verstaue wird. Sorgen Sie auch dafür, dass der Schlauch sich beim Herausziehen nicht blockiert.

SCHRITT 2 Bohren Sie ein kreisförmiges Loch mit einem Durchmesser von 89 mm (3 1/2") in die Glasfaserschottwand (über dem Wasserspiegel).

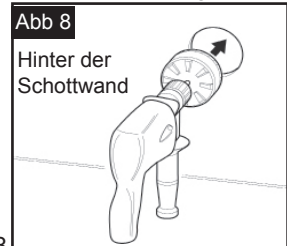
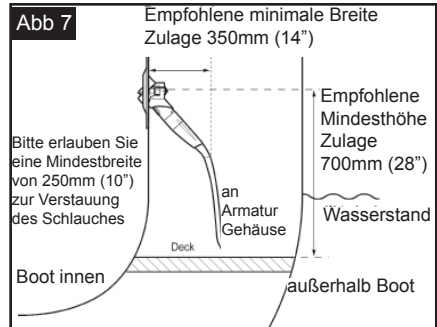
Mindestdicke der Schottwand= 6mm (1/4")

Maximale Dicke der Schottwand= 12mm (1/2"). Siehe Abb. 8

SCHRITT 3 Um die Montage des Halters und der Stützringe zu erleichtern, lösen Sie die beiden Schrauben bis zum Ende des Gewindeganges.

SCHRITT 4 Sorgen Sie dafür, dass der schwarze Stützring in der dafür vorgesehenen Position hinter dem Gehäuse ist. Wenn das Gehäuse auf einer gewölbten Oberfläche angebracht werden soll, ist der entsprechende Stützring so wie im Folgenden angegeben zu verwenden:-

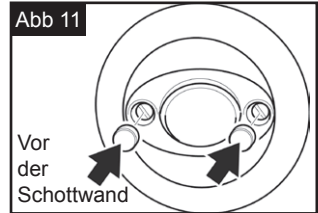
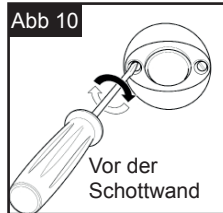
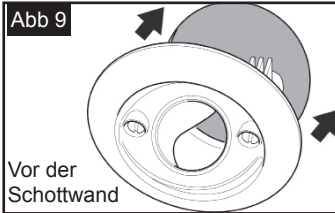
Auf einer flachen Oberfläche	Verwenden Sie den schwarzen Ring, der bereits an dem abgewinkelten Gehäuse angebracht ist
Auf einer leicht gewölbten Oberfläche – Radius größer als 10 Meter	Verwenden Sie den blauen Stützring
Auf einer sehr stark gewölbten Oberfläche zwischen einem Radius von 1 Meter und 10 Metern	Verwenden Sie den roten Stützring



HINWEIS: Wenn Sie den Stützring durch den roten oder blauen Stützring ersetzen, achten Sie darauf, dass der Ring mit der flachen Oberfläche nach oben installiert wird.

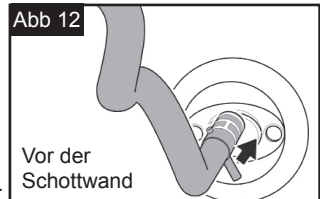
SCHRITT 5 Schieben Sie das Duschgehäuse in das Loch (Abb. 9). Montieren Sie das Gehäuse, indem Sie die beiden Schrauben an der Stirnseite festziehen, bis der Flansch sicher an der Schottwand befestigt ist (siehe Abb. 10), d.h. alle Punkte auf dem Kreisumfang haben Kontakt mit der Wand. Stellen Sie sicher, dass die Schraubenlöcher horizontal auf der gleichen Ebene liegen.

ACHTUNG: Ziehen Sie die Schrauben nicht zu fest an.



SCHRITT 6 Drücken Sie die Kunststoffkappen mit der Hand in die Schraubenlöcher. (Siehe Abb. 11).

SCHRITT 7 Führen Sie den Schlauch durch das Gehäuse hindurch, bis das Handset in der gewünschten Position ist. (Siehe Abb. 12).



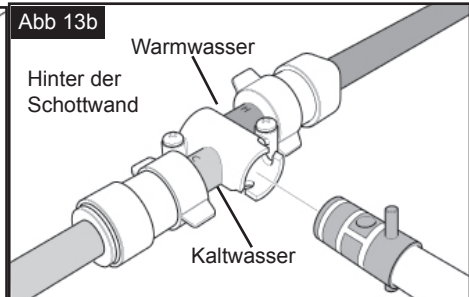
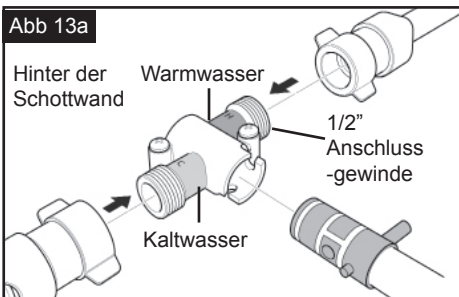
Für Einzelheiten zu den Rohrleitungen, siehe Abschnitt 8.

12. ROHRLEITUNGSVERLEGUNG

VORBEREITUNG DER ROHRLEITUNGEN

SCHRITT 1 Schalten Sie die Elektrik aus, drehen Sie alle Wasserhähne und Duschen (warm und kalt) auf, um den Druck vom System zu nehmen und entfernen Sie die bestehende Dusche.

SCHRITT 2 Sorgen Sie dafür, dass die Rohrleitungen für das warme und kalte Wasser die entsprechenden Verbindungen zu den Ventilgehäuseöffnungen mit 1/2"-Zoll-Gewinde aufweisen (siehe 13a).



ROHRLEITUNGSVERLEGUNG - MODELLE MIT MISCHBATTERIE

(Produkt-Codes DS0003B, DS0004B, DS0013B, DS0014B, DS0413B, DS0414B DS0006).

SCHRITT 1 Sichern Sie das Ventilgehäuse, indem Sie mit Hilfe eines Schraubendrehers mit Pozi-Bit Nr.2 die dafür vorgesehenen Schrauben festziehen.

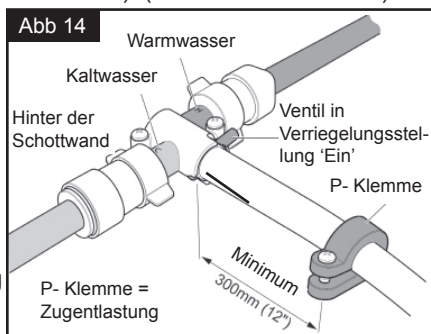
HINWEIS: Das Ventil sollte so nah wie möglich am Gehäuse montiert werden. Der Duschschauch muss auch genügend Platz haben, so dass er zum Duschen einfach herausgezogen und nach dem Duschen wieder ordnungsgemäß in der Wand verstaut werden kann (siehe Abbildung 2, Abbildung 7).

HINWEIS: Um die Einheit sicher zu befestigen, ist sicherzustellen, dass die Montageoberfläche für das Ventil eine Mindestdicke von 19mm (3/4") aufweist.

SCHRITT 2 Verbinden Sie die Rohrleitungen für Warm- und Kaltwasser mit dem 1/2" Zoll-Anschlussgewinden. Wenn Sie die Whale Quick Connect- Rohrleitungsverbindungsstücke anbringen, verwenden Sie zwei WX1532B Verbindungsstücke (nur bei Einzelhandelsmodellen mitgeliefert; für die Produktionsmodelle sind diese separat erhältlich). (Siehe Abb. 13a und b).

SCHRITT 3 Befestigen Sie den Duschschauch am Ventilgehäuse. Schieben Sie den langen Stiel in den Schlitz und drehen Sie dann das Ventil im Uhrzeigersinn um 30 Grad in die Verriegelungsstellung 'Ein' (siehe Abb. 14).

Prüfen Sie, ob der Schlauch komplett eingeschoben ist, um eine sichere Verbindung zu erhalten.



SCHRITT 4 ANBRINGEN DER P-KLEMME AN DER SCHOTTWAND. Schrauben Sie die P-Klemme in die Schottwand. Achten Sie dabei darauf, dass diese mindestens 300 mm (12") vom Ventilgehäuse entfernt ist (siehe Abb. 14).

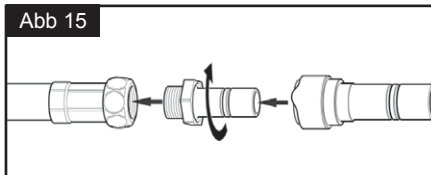
HINWEIS Um die Einheit sicher zu befestigen, ist sicherzustellen, dass die Montageoberfläche für die P-Klemme eine Mindestdicke von 19 mm (3/4") aufweist.

SCHRITT 5 Drehen Sie alle Wasserhähne und Duschen ab. Schalten Sie dann die Wasserpumpe ein und prüfen Sie, ob alle Verbindungen trocken sind. Prüfen Sie den Betrieb von Whale Twist® (siehe Abschnitt 10).

ROHRLEITUNGSVERLEGUNG – MODELLE OHNE WARMWASSER

Produkt-Codes: DS0211B, DS0212B, DS0213B, DS0005

SCHRITT 1 Verbinden Sie den Duschschauch mit der Rohrleitung- (siehe Abb. 15). Direkte Verbindung mit Quick Connect- Rohrleitungen möglich, WU1215 (inbegriffen).



SCHRITT 2 Schrauben Sie die P-Klemme in die Schottwand. Achten Sie dabei darauf, dass diese mindestens 300 mm (12") vom Ventilgehäuse entfernt ist (siehe Abb. 14).

HINWEIS: Um die Einheit sicher zu befestigen, ist sicherzustellen, dass die Montageoberfläche für die P-Klemme eine Mindestdicke von 19 mm (3/4") aufweist.

SCHRITT 3 Drehen Sie alle Wasserhähne und Duschen ab, schalten Sie die Wasserpumpe ein und prüfen Sie, ob alle Verbindungen trocken sind. Prüfen Sie den Betrieb von Whale Twist® (siehe Abschnitt 14).

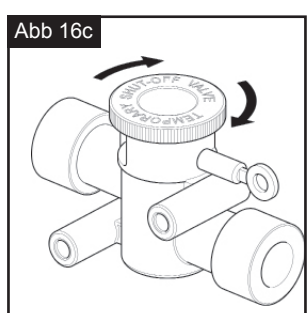
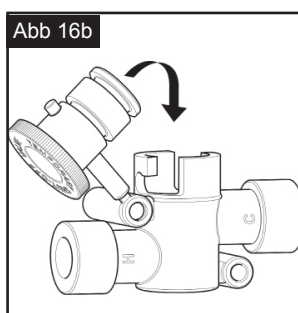
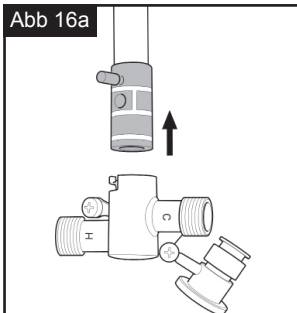
13. WARTUNG UND PFLEGE

Für alle Whale Twist®- Modelle

Reinigen Sie das Gehäuse und das Handset mit warmem Seifenwasser. Verwenden Sie keine chemischen Reinigungsmittel. Es wird empfohlen, die Rohrleitungsverbindungen und die Rohrleitungen regelmäßig zu prüfen.

Für Mixer Modelle

Möchten Sie die Twist Dusche austauschen, nehmen sie den Schlauch am T-Verteiler ab und verschließen das System mit dem mitgelieferten Absperrventil. (Siehe Abb 16)



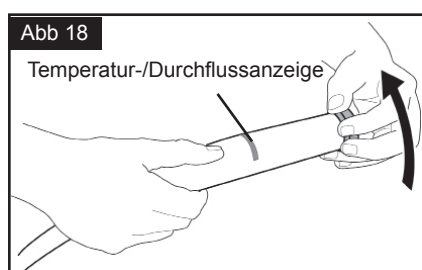
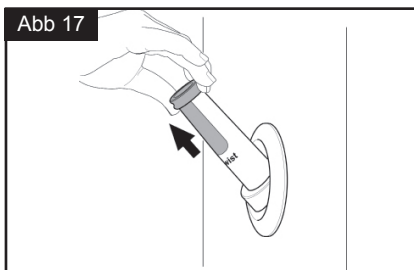
14. GEBRAUCHSANWEISUNG

SCHRITT 1 Ziehen Sie das Handset vorsichtig aus dem Gehäuse. (Siehe Abb. 17).

SCHRITT 2 Einstellung des Durchflusses/der Temperatur. (Bei Modellen ohne Warmwasser gibt es keine Temperatureinstellungen). Drehen Sie das Handset auf die gewünschte Durchfluss-/Temperatureinstellung. (Siehe Abb. 18).

ACHTUNG: Aus Gesundheits- und Sicherheitsgründen sollte die Temperatur auf 38°C eingestellt werden. Höhere Einstellungen können zu Verbrühungsverletzungen führen. Am stärksten gefährdet sind Kinder, ältere oder behinderte Menschen und Diabetiker.

SCHRITT 3 Genießen Sie die Dusche.



NACH GEBRAUCH:

SCHRITT 1 Drehen Sie den oberen Teil des Handsets in die 'Aus'-Stellung.

HINWEIS: Sorgen Sie dafür, dass das Handset vollständig abgedreht ist, bevor Sie es in der Wand verstauen.

SCHRITT 2 Stecken Sie das Handset wieder in den Halter

15. FEHLERBEHEBUNG

FEHLER	MÖGLICHE URSACHE	ABHILFE
Eingeschränkter Durchfluss	Verstopfte Duschküden	Prüfen Sie das Handset auf mögliche Verstopfungen. Reinigen Sie den Kopf mit warmem Seifenwasser. (verwenden Sie keine chemischen Reinigungsmittel)
Kein Durchfluss	Pumpe funktioniert möglicherweise nicht Ventilgehäuse ist nicht in 'Am'-Stellung	Prüfen Sie, ob die Pumpe funktioniert Prüfen Sie, ob das Ventilgehäuse in der Verriegelungsstellung 'Ein' ist (siehe Abb. 14)

16. EINWINTERN

Das Gefrieren im Winter kann Schäden an der Whale Twist®-Deck-Dusche hervorrufen.

Um dies zu verhindern, stellen Sie sicher, dass das System vollständig entwässert wurde.

1. Entleeren Sie den Frischwassertank mit Hilfe der Pumpe oder einem Ablassventil.
2. Schalten Sie die Pumpe ein und drehen Sie alle Wasserhähne auf (einschließlich des Ablassventils), so dass die Pumpe das Wasser aus dem System befördern kann.
3. Drehen Sie die Whale Twist®-Deck-Dusche auf, bis der Wasserdurchfluss aufhört.
4. Drehen Sie die Whale Twist® - Deck-Dusche ab.
5. Schalten Sie den Stromtrennschalter der Wasserpumpe aus.
6. **Denken Sie daran, dass alle Auslassöffnungen (außer Whale Twist®-Deck-Dusche) offen bleiben müssen, um Schäden zu vermeiden.**

17. SERVICE UND SUPPORT

Für Informationen zur Montage und Wartung, setzen Sie sich bitte mit dem Whale-Kundendienst in Verbindung:

Tel: +44 (0)28 9127 0531
USA Tel: +1 616 897 9241

Email: info@whalepumps.com
USA Email: usasales@whalepumps.com

Bitte beachten Sie: Der Whale Twist®-Deck- Duschschauch sollte alle 5 Jahre ausgetauscht werden.

18. PATENTE UND SCHUTZMARKEN

WHALE®, WHALE TWIST® und DECK PROTECT® sind Schutzmarken von Munster Simms Engineering Limited (firmiert auch unter dem Namen Whale Seaward Inc).

Die Whale Twist®-Deck-Dusche ist durch die folgenden Patente und Gebrauchsmustereintragungen geschützt:

Patentnummer für:

die USA: 0621530.5

Europa: 07119601.8

Norwegen: 0621530.5

Neuseeland: 562931

Australien: 2007231705

die USA: 11/814640

Vereinigtes Königreich (UK): 0711496.0

Vereinigtes Königreich (UK): 0719338.6

Gebrauchsmustereintragung

Europa: 000760632.0001

Europa: 760632

Europa: 000305957

Australien: 21517/2007

Australien: 21518/2007

Kanada: 124293

Kanada: 124924

USA: 29/299,514

USA: 29/299,515

19. GARANTIE

Die Whale Twist® Deck-Dusche besitzt 1 Jahr Garantie.

Weitere Informationen zur Garantie finden Sie in der beigefügten Garantieerklärung von Whale.

©Copyright Whale 2019 - Alle Rechte vorbehalten. Diese Erklärung darf ohne Genehmigung weder ganz noch teilweise vervielfältigt werden. Whale® ist ein eingetragenes Warenzeichen von Munster Simms Engineering Ltd, in Bangor, Nordirland. Das Unternehmen handelt auch unter dem Namen Whale®. Whale verfolgt eine Politik der ständigen Verbesserung und wir behalten uns das Recht vor, Spezifikationen ohne vorherige Benachrichtigung zu ändern. Abbildungen dienen nur zur Orientierung.

Weder die Richtigkeit noch die Vollständigkeit der in dieser oder einer Produktliteratur enthaltenen Informationen werden vom Unternehmen garantiert und können nach eigenem Ermessen geändert werden.

Munster Simms Engineering Ltd.

2 Enterprise Road, Bangor, Nordirland BT19 7TA

www.whalepumps.com

Tack för att du köpt den här produkten från Whale.

I mer än 70 år har Whale varit föregångare inom design och tillverkning av sötvattens- och avfallssystem inklusive rör, kranar, duschar och pumpar som kan användas vid låg spänning. Företaget och produkterna har byggt upp ett märke som står för kvalitet, pålitlighet och innovation och backas upp av utmärkt kundservice. För information om hela vårt produktsortiment besök: www.whalepumps.com

1. SPECIFIKATION

Modell	Modelltyp	Färg	Hållare (material)	Slangstorlek	
DS0003B	Mixermodeller	Blått och vitt	Rakt hölje (krom)	2.5m (8.2ft)	
DS0004B			Böjt hölje (vit)		
DS0005	Cold only- modeller	Grått och vitt	Rakt hölje (krom) och böjt hölje (vit)	2.1m (6.9ft)	
DS0006	Mixermodeller			Rakt hölje (krom)	2.5m (8.2ft)
DS0013B			Böjt hölje (vit)		
DS0014B			Rakt hölje (krom)		
DS0211B	Cold only- modeller		Svart och vitt	Böjt hölje (vit)	2.1m (6.9ft)
DS0212B				Böjt hölje (svart)	
DS0213B		Grått och vitt	Rakt hölje (krom)	4m (13.1ft)	
DS0411B			Böjt hölje (vit)		
DS0412B	Rakt hölje (krom)				
DS0413B	Mixermodeller	Grått och vitt	Böjt hölje (vit)		
DS0414B			Rakt hölje (vit)		

2. INNEHÅLL OCH SCHEMAN

1. Specifikation
2. Innehåll och scheman
3. För användaren
4. Till montören
5. Användning
6. Tillämpning
7. Varning
8. Lista delar: rakt hölje
9. Installering: rakt hölje
10. Lista delar: böjt hölje
11. Installering: böjt hölje
12. Sätta fast rör - alla modeller
13. Underhåll
14. Användningsinstruktioner
15. Problemlösning
16. Förbereda för vintern
17. Service support detaljer
18. Patent och varumärke

LISTA PÅ BILDER

Fig 1 Rakt hölje - komplett produkt	Fig 10 Böjt hölje - dra åt skruvarna
Fig 2 Rakt hölje -restriktioner bredd och höjd	Fig 11 Böjt hölje - sätt i skruvlock
Fig 3 Rakt hölje - borrhål	Fig 12 Böjt hölje - sätt i slangen
Fig 4a Rakt hölje - sätt i höljet genom hålet	Fig 13a Rörplacering - mixermodeller
Fig 4b Rakt hölje - säkra stängningsmuttern	Fig 13b Rörpassning - mixermodeller
Fig 5 Rakt hölje - sätt i slangen	Fig 14 Rör och slang installerade
Fig 6 Böjt hölje - komplett produkt	Fig 15 Slang rörkontakt Cold only-modeller
Fig 7 Böjt hölje - restriktioner bredd och höjd	Fig 16 Underhåll för mixers models
Fig 8 Böjt hölje - borrhål	Fig 17 Montering
Fig 9 Böjt hölje - sätt i höljet genom hålet	Fig 18 Montering

3. FÖR ANVÄNDAREN

Läs följande noggrant före installeringen

WARNING: Notera att en felaktig installation kan leda till att garantin blir ogiltig.

4. TILL MONTÖREN

Kontrollera att produkten kan installeras på avsedd plats. Följ stalleringsinstruktionerna och försäkra dig om att alla berörda personer läser punktlistan nedan. Försäkra dig också om att slutanvändaren får installationsinstruktionerna.

5. ANVÄNDNING

Whale Twist® Deck Shower har ett unikt innovativt handtag med inbyggda flödes- och temperaturkontroller. De båda diskreta handtagsdesignerna kompletterar båtdäckets eleganta linjer. Alla modeller från Whale Twist® kräver bara att ett enda runt hål borras och ett enkelt rör för att kunna installeras.

6. TILLÄMPNING

TWhale Twist® deck shower är designad för att installeras på platta eller lätt böjda ytor på deck eller i aktern på båtar och ska inte användas inomhus.

7. VARNING

Temperaturinställning – för att förhindra skällning (oberoende av uppvärmningsmetod eller vilken kontrollreglering som används), bör det varma vattnets temperatur till kranarna och duscharna vara kontrollerat inom 43 °C - 60 °C (110 °F - 140 °F) och ha en säkerhetsgräns på 82 °C (180 °F).



FARA: Den idealiska temperaturen är 38 °C (100 °F) p.g.a hälsooch säkerhetsorsaker och en högre inställning ökar risken för skällningsskador. De som löper störst risk att bli skällade är barn, äldre, funktionshindrade och diabetiker.

VARNING: Whale Twist® deck shower ska inte användas inomhus.

8. MODELLER RAK HÅLLARE

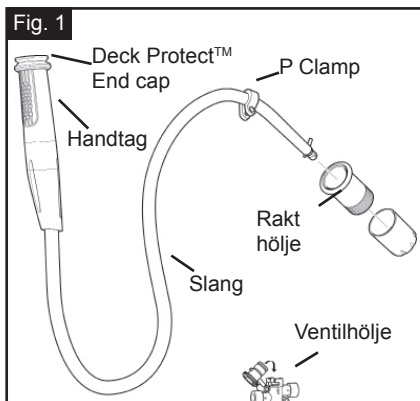
LISTA DELAR – MODELLER RAKT HÖLJE

MIXER VERSION

- 1 Handtag och slang med p-clamp (inkl. skruv)
- 1 Rakt hölje
- 1 stängningsmutter
- 1 ventilhölje (inkl 2 justerskruvar) Omfattar tillfälligt stänga ventilen bifogade
- 2 WX1532B - adaptor 1/2" BSP-hona (följer endast med paketmodeller, finns separat för bulkmodeller)

COLD ONLY-VERSION

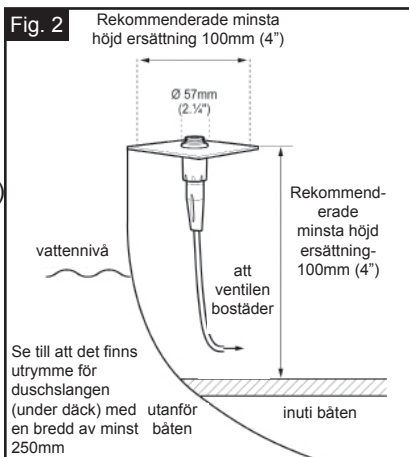
- 1 Handtag och slang med p-clamp (inkl. skruv)
- 1 Rakt hölje
- 1 stängningsmutter
- 1 WX1532B - adaptor 1/2" BSP-hona



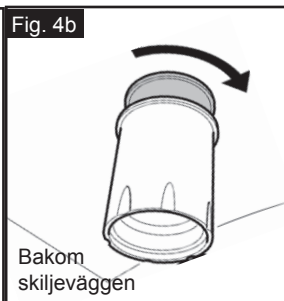
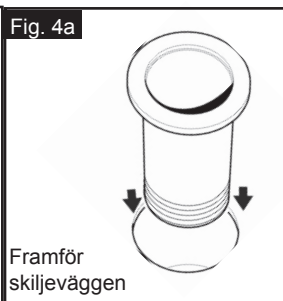
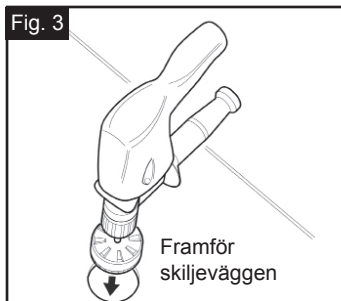
9. INSTALLATION RAK HÅLLARE

STEG 1 Välj en lämplig plats att installera duschen på. Den unika designen gör det möjligt att montera duschen på en platt, horisontell eller böjd yta. Försäkra dig om att det finns tillräckligt med plats att förvara handtaget och slangens när de läggs undan. (Se Fig. 2) Försäkra dig om att rörkontakten och p-clampen monteras så nära handtagets hölje som möjligt, så att slangens längd kan utnyttjas maximalt.

Notera: Före installationen - kontrollera att det finns tillräckligt med plats för slangens när den förvaras. Kontrollera också att den inte hindras av något när den dras ut.



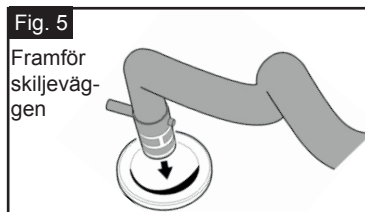
STEG 2 Borra ett runt hål med diameter 50mm (2") i skiljeväggen ovanför vattenlinjen. Se till att det finns tillräckligt med plats på höjden och djupet som visas på Fig. 2. (Se Fig. 3) Notera:-minimum tjocklek monteringsyta: 3mm (1/8"); maximum tjocklek monteringsyta 19mm (3/4").



STEG 3 Placera höljet genom hålet. Spänn låsmuttern för hand bakom skottet. Se Fig. 4a och 4B.

STEG 4 Mata ner slangen genom höljet tills handtaget sitter på plats. (Se Fig. 5).

Se del 8 för rörkontaktsdetaljer.



10. MODELLER BÖJT HÖLJE

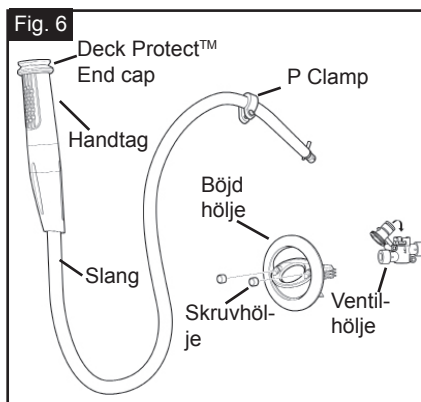
Idealiskt där platsen bakom skiljeväggen är begränsad (Se Fig. 7)

LISTA DELAR – MODELLER BÖJT HÖLJE

- 1 Handtag och slang med p-clamp
- 1 Böjt hölje (med 3 medföljande stödringar svart, röd och blå)
- 2 skruvhölje
- 1 Ventilhölje (inkl 2 justerskruvar) Omfattar tillfälligt stänga ventilen bifogade
- 2 WX1532B - adaptor 1/2" BSP-hona (följer endast med paketmodeller, finns separat för bulkmodeller)

COLD ONLY-VERSION

- 1 Handtag och slang med p-clamp
- 1 Böjt hölje (med 3 medföljande stödringar svart, röd och blå)
- 2 skruvhölje
- 1 WX1532B - adaptor 1/2" BSP-hona

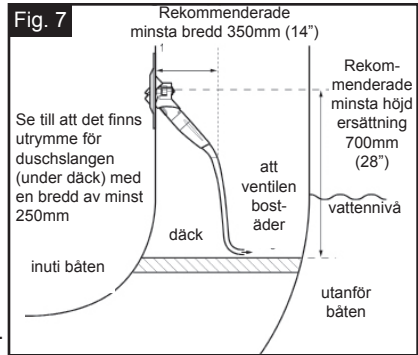


11. INSTALLATION BÖJD HÅLLARE

STEG 1 Välj en lämplig plats att installera duschen på. Den unika designen gör det möjligt att montera duschen på en plan eller böjd yta.

Maximum krökning = 1 meter (3ft 3") radie.

Försäkra dig om att det finns tillräckligt med plats att förvara handtaget och slangen när de läggs undan. Se Fig. 7. Försäkra dig om att rörkontakten och p-clampen monteras så nära handtagets hölje som möjligt, så att slangens längd kan utnyttjas maximalt.

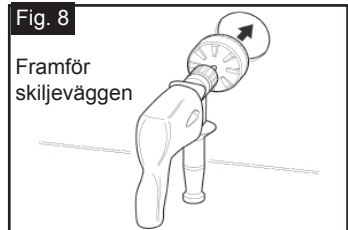


Notera: Före installationen - kontrollera att det finns tillräckligt med plats för slangen när den förvaras. Kontrollera också att den inte hindras av något när den dras ut.

STEG 2 Borra ett runt hål med diameter på 89 mm (3 1/2") i fiberglaskiljeväggen (ovanför vattenlinjen).

Minimum tjocklek skiljevägg = 6mm (1/4")

Maximum tjocklek skiljevägg = 12mm (1/2"). Se Fig. 8



STEG 3 För att möjliggöra enklare montering av hållare och supportringar skall de 2 skruvarna lossnas tills de nästan är avgångade.

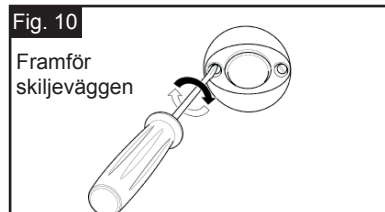
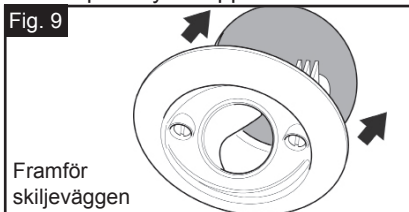
STEG 4 Kontrollera att den svarta stödringen är placerad bakom höljet.

Om höljet ska placeras på en böjd yta, så ersätt den med lämplig stödning

som visas nedan:

På en plan yta	Använd den svarta ringen som redan sitter på det böjda höljet
På en lätt böjd yta - radie större än 10 meter	Använd den blåa stödringen
På en mycket böjd yta med en radie på mellan 10m och 1m	Använd den röda stödringen

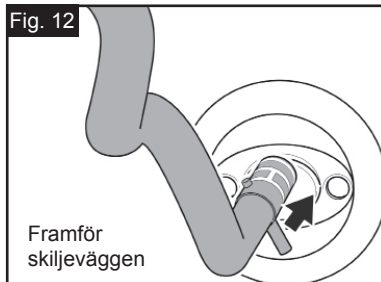
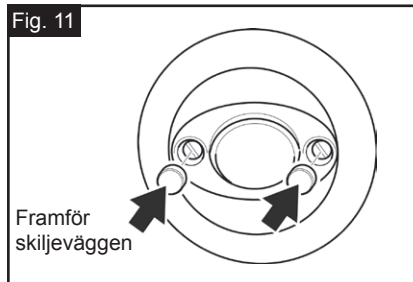
NB Om du byter ut stödringen mot den blåa eller röda - kontrollera att ringen installeras med den plana ytan uppåt.



STEG 5 Placera höljet genom hålet (Se Fig. 9). Installera genom att dra åt de 2 skruvarna i framkanten tills flänsen är monterad säkert på skiljeväggen (Se Fig. 10), d.v.s att den täcker hela omkretsen. Kontrollera att skruvhålen är på en horisontell yta.

FARA: Dra inte åt för hårt.

STEG 6 Pressa igenom plastlocken i skruvhålen för hand. (Se Fig. 11).



STEG 7 Mata ner slangen genom höljet tills handtaget sitter på plats. (Se Fig. 12).

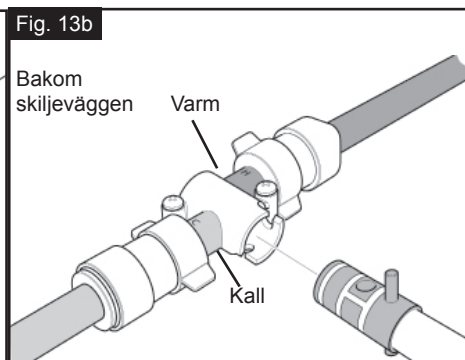
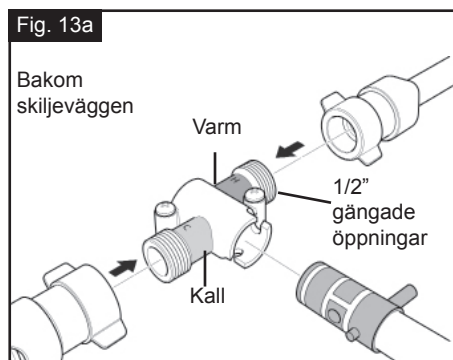
Se del 8 för rörkontaktsdetaljer.

12. SÄTTA FAST RÖR

FÖRBEREDA FÖR ATT SÄTTA FAST RÖR

STEG 1 Stäng av all elektronik, öppna alla kranar och duschar (varm och kall) för att sänka trycket i systemet och ta bort den befintliga duschen.

STEG 2 Förbered varmt och kallt rör med passande kontakter till 1/2" gängad ventil höljesöppningar (Se Fig. 13a).



SÄTTA FAST RÖR - MIXER MODELS

Produktkode DS0003B, DS0004B, DS0013B, DS0014B, DS0413B, DS0414B DS0006).

STEG 1 Säkra ventilhöljet genom att använda nr 2 pozidrive skruvmejseln för att dra åt skruvarna som finns.

N.B. Ventilen måste installeras så nära höljet som möjligt. Det måste också finnas plats för handtagets slang att enkelt kunna dras ut för att användas och sättas tillbaka när den ska förvaras (Se Fig. 2, Fig. 7).

N.B. För att fästa enheten säkert - kontrollera att ytan där ventilen monteras har en tjocklek på minst 19 mm (3/4").

STEG 2 Koppla samman varmt och kallt rör i 1/2" gängade öppningar. Om du kopplar ihop med en Whale Quick Connect rörkontakt så använd två WX1532B kontakter (följer med återförsäljningsförpackade modeller, kan köpas separat till bulkförpackade modeller). (Se Fig. 13a och b).

STEG 3 Koppla samman duschslangen med ventilhöljet. Tryck in med I ångt skaft, kom in i spalten och rotera sen medurs 30 grader till den stängda "on"-positionen (Se Fig. 14).
Försäkra dig om att slangen är helt intryckt för en tät och säker anslutning.

STEG 4 SKOPPLA TILL P-CLAMP TILL KILJEVÄGGEN Skruva på p-clampen på skiljeväggen och kontrollera att den sitter minst 300 mm (12") från ventilhöljet (Se Fig. 14).

N.B. För att fästa enheten säkert - kontrollera att ytan där p-clampen monteras har en tjocklek på minst 19 mm (3/4").

STEG 5 Stäng alla kranar och duschar. Sätt sedan på vattenpumpen och kontrollera att alla kontakter är torra. Testa Whale Twist® montering (se avdelning 10).

SÄTTA FAST RÖR – COLD ONLY-MODELLER

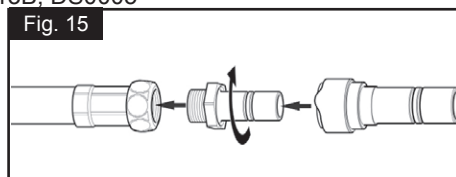
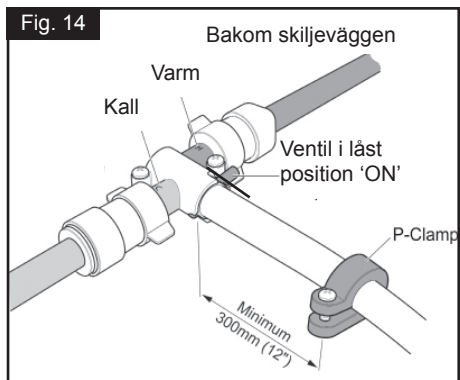
Produktkoder: DS0211B, DS0212B, DS0213B, DS0005

STEG 1 Koppla ihop duschslangen med röret- (Se Fig. 15). Kopplas direkt till Quick Connect Rör, använd WU1215 (ingår).

STEG 2 KOPPLA TILL P-CLAMP TILL SKILJEVÄGGEN. Skruva på p-clampen på skiljeväggen och kontrollera att den sitter minst 300 mm (12") från ventilhöljet (Se Fig. 14).

N.B. För att fästa enheten säkert - kontrollera att ytan där p-clampen monteras har en tjocklek på minst 19 mm (3/4").

STEG 3 Stäng av alla kranar och duschar, sätt på vattenpumpen och kontrollera att alla kontakter är torra. Testa Whale Twist® montering (se avdelning 14).



13. UNDERHÅLL

Gäller alla Whale Twist®-modeller

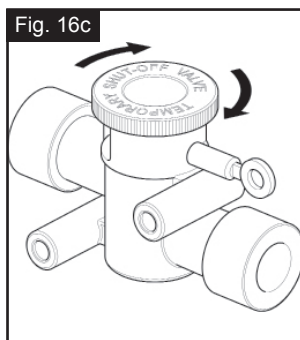
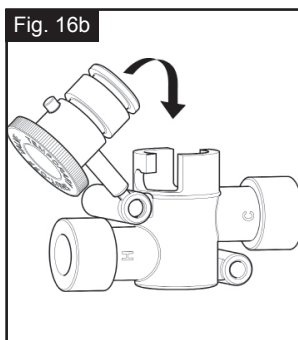
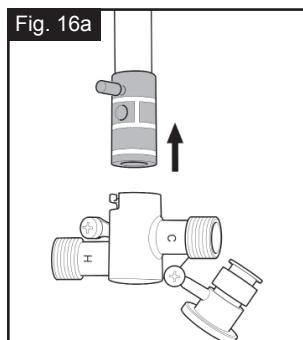
Rengör hölje och handtag med varmt vatten och tvål.

Använd inte några kemiska rengöringsmedel.

Regelbundna kontroller och rörkontaktarna och rören rekommenderas.

För Mixer Models

Om du behöver ta bort handduschen och slang för ersättning, ta bort enheten i ventilen och infoga tillfälligt stänga ventilen som visas. (Se Fig. 16a, 16b, 16c). Detta gör att du kan använda sötvatten system till dess att den nya slangen är installerat.

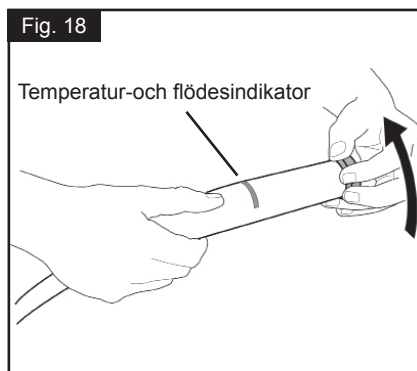
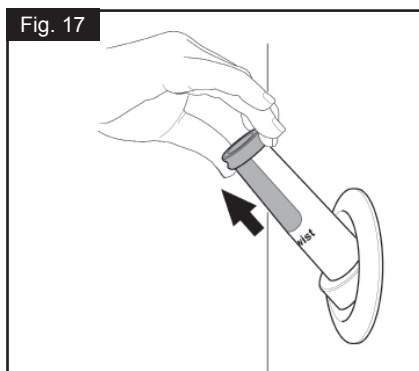


14. ANVÄNDNINGSPÅRINSTRUKTIONER

STEG 1 Dra mjukt ut handtaget från höljet. (Se Fig. 17).

STEG 2 Ställ in flöde och temperatur. (Temperaturinställning gäller inte för cold only-modeller). Vrid handtaget till önskad temperatur- och flödesinställning. (Se Fig. 18).

FARA: P.g.a. hälso- och säkerhetsrisk ska temperaturen vara inställd på 38°C (100 °F). En högre inställning ökar risken för skällning. De som löper störst risk att bli skällade är barn, äldre, funktionshindrade och diabetiker



STEG 3 Njut av duschen.

Efter användning

STEG 1 Vrid den övre delen av handtaget till "off" - positionen

NB: kontrollera att handtaget är helt avstängt före du lägger undan det.

STEG 2 Byt ut handtaget i hållaren.

15. PROBLEMLÖSNING

SYMPTOM	MÖJLIGA ORSAKER	ATGÄRD
Begränsat flöde	Blockerat duschmunstycke	Kontrollera om det finns några blockeringar i handtaget. Rengör munstycket med tvål och varmt vatten (använd inte några kemiska rengöringsmedel)
Inget flöde	Pumpen är kanske inte igång Ventilhöljets är inte i låste 'on' position	Kontrollera att pumpen är igång Kontrollera att ventilhöljets är fast i "on"-position (Se Fig. 14)

16. FÖRBEREDA FÖR VINTERN

Minusgrader kan orsaka skador på Whale Twist® Deck Shower.

Undvik skador genom att se till att systemet är helt tomt på vatten.

1. Töm sötvattenstanken antingen genom att använda pumpen eller en tömningsventil.
2. Sätt igång pumpen och öppna alla kranar (inklusive tömningsventil) och låt pumpen dränera systemet från vatten.
3. Öppna Whale Twist® Deck Shower tills vattenflödet slutar.
4. Stäng av Whale Twist® Deck Shower.
5. Stäng av isoleringsbrytaren till vattenpumpen
- 6. Kom ihåg att lämna alla utgångar öppna (utom Whale Twist® Deck Shower) för att undvika skador.**

17. SERVICESUPPORT DETALJER

För installation eller service, vänligen kontakta Whale kundtjänst:

Tel: +44 (0)28 9127 0531

Email: info@whalepumps.com

USA Tel: +1 616 897 9241

USA Email: usasales@whalepumps.com

Notera: Slangen till Whale Twist® Deck Shower ska bytas ut efter 5 års användning.

18. Patents and Trademarks

WHALE®, WHALE TWIST® och DECK PROTECT® är varumärken tillhörande Munster Simms Engineering Limited (handlas även som Whale Seaward Inc).

Whale Twist® Deck Shower skyddas av följande patent- och designregistreringar

USA Patentnummer: 0621530.5
Europa Patentnummer: 07119601.8
Norge Patentnummer: 0621530.5
Nya Zeeland Patentnummer: 562931

Australien Patentnummer: 2007231705
USA Patentnummer: 11/814640
UK Patentnummer: 0711496.0
UK Patentnummer: 0719338.6

Designregistreringar:

Europa: 000760632.0001
Europa: 760632
Europa: 000305957
Australien: 21517/2007
Australien: 21518/2007

Canada: 124293
Canada: 124924
USA: 29/299,514
USA: 29/299,515

19. GARANTI

Whale Twist® Deck Shower har 1 års garanti.

För detaljer gällande garantin, vänligen referera till Whale's Statement of Limited Warranty.

Copyright Whale 2019 - Med ensamrätt. Mångfaldigande, helt eller delvis, utan tillstånd är förbjudet.

WHALE®, är ett registrerat varumärke tillhörande Munster Simms Engineering Limited, Bangor, Nordirland, handelsnamn Whale. Whale:s policy syftar mot fortlöpande förbättringar och vi förbehåller oss rätten att ändra specifikationerna utan föregående varsel. Illustrationerna är endast vägledande.

Företaget garanterar varken exaktheten eller fullständigheten hos informationen i någon produktbroschyr och den kan komma att ändras när som helst.

Munster Simms Engineering Ltd.

2 Enterprise Road, Bangor, N. Ireland BT19 7TA
www.whalepumps.com

Kiitämme luottamuksestasi Whale-tuotteeseen.

Yli 70 vuoden ajan Whale on ollut tuoreveden ja jäteveden käsittelylaitteiden markkina-johtaja. Tuotteemme ovat mm. putkistoa, hanoja, suihkuja ja painepumppuja pienjännitteille. Tuotteemme ovat tunnettuja laadusta, luotettavuudesta ja edistyksellisyydestä, ja yrityksemme tunnetaan erinomaisesta tuotetuesta ja asiakaspalvelusta. Tiedot koko tuotevalikoimastamme löydät osoitteesta: www.whalepumps.com

1. TEKNISET TIEDOT

Malli	Malli tyyppi	Väri	Holder (Material)	Letkun koko	
DS0003B	Sekoitus-mallit	Sininen ja valkoinen	Suorakotelo (kromi)	2.5m (8.2ft)	
DS0004B			Kulmakotelo (valkoinen)		
DS0005	Kylmävesi-mallit	Harmaa ja valkoinen	Suorakotelo (kromi) ja Kulmakotelo (valkoinen)	2.1m (6.9ft)	
DS0006	Sekoitus-mallit		Suorakotelo (kromi)	2.5m (8.2ft)	
DS0013B			Kulmakotelo (valkoinen)		
DS0014B			Suorakotelo (kromi)		
DS0211B	Kylmävesi-mallit		Musta ja valkoinen	Kulmakotelo (valkoinen)	2.1m (6.9ft)
DS0212B				Suorakotelo (kromi)	
DS0213B		Harmaa ja valkoinen	Suorakotelo (kromi)	4m (13.1ft)	
DS0411B			Kulmakotelo (valkoinen)		
DS0412B	Sekotus-mallit	Harmaa ja valkoinen	Suorakotelo (kromi)	4m (13.1ft)	
DS0413B			Kulmakotelo (valkoinen)	4m (13.1ft)	
DS0414B			Suorakotelo (kromi)	4m (13.1ft)	

2. KÄYTTÖOPPAAN SISÄLTÖ

1. Tekniset tiedot
2. Käyttöoppaan sisältö
3. Käyttäjälle
4. Asentajalle
5. Käyttötapa
6. Käyttökohteet
7. Varoitukset
8. Osaluettelo: Suorakotelomallit
9. Asennus: Suorakotelomallit
10. Osaluettelo: Kulmakotelomallit
11. Asennus: Kulmakotelomallit
12. Putkistot - Kaikki mallit
13. Huolto ja ylläpito
14. Käyttöohjeet
15. Vianetsintä
16. Talviteloille Laitto
17. Vaihto-osat
18. Patentit ja Tavaramerkit

KUVALUETTELO

Fig 1 Tuote kokonaisuudessaan	Fig 10 Ruuvien kiinnittäminen
Fig 2 Leveyden jakorkeuden rajoitukset	Fig 11 Ruuvinkantojen peitelevyt
Fig 3 Suorakotelomalli - Porattava reikä	Fig 12 Kulmakotelomalli - Letkun läpivienti
Fig 4a Kotelon asettaminen asennusreikään	Fig 13a Putkiston järjestely - Sekoitusmallit
Fig 4b Suorakotelomalli - Kiinnitysmutteri	Fig 13b Putkiston asennus - Sekoitusmallit
Fig 5 Suorakotelomalli - Letkun läpivienti	Fig 14 Putkisto ja letku asennettuna
Fig 6 Tuote kokonaisuudessaan	Fig 15 Letkun ja putkiston liittäminen
Fig 7 Leveyden ja korkeuden rajoitukset	Fig 16 Huoltotoimenpiteet
Fig 8 Kulmakotelomalli - Porattava reikä	Fig 17 Käyttö - Käsisuihkun ottaminen
Fig 9 Kotelon asettaminen asennusreikään	Fig 18 Käyttö

3. KÄYTTÄJÄLLE

Lue huolellisesti seuraava ennen asennuksen aloittamista

Huomaa että väärä asennustapa saattaa mitätöidä takuun

4. ASENTAJALLE

Varmista että tuote on käyttötarkoitukseen sopiva, seuraa asennusohjeita tarkasti ja varmista, että muut asennukseen ja käyttöön osallistuvat henkilöt lukevat myös alla olevat kohdat. Varmistaudu, että loppukäyttäjä saa myös nämä käyttöohjeet.

5. KÄYTTÖTAPA

Whale Twist® käsisuihkussa on ainutlaatuinen innovatiivinen käsisuihku, jossa on yhdysrakenteinen veden virtauksen ja lämpötilan säätö. Molemmat uppoasennettavat kotelomallit sulautuvat aluksen kansirakennelmiin pilaamatta linjoja tai olematta tiellä. Kaikki Whale Twist® suihkumallit tarvitsevat vain yhden pyöreän asennusreiän ja putkityöt ovat yksinkertaiset.

6. KÄYTTÖTARKOITUS

Whale Twist® käsisuihku on suunniteltu asennettavaksi huvialuksen tasaiseen tai hieman kaarevaan laipioon tai peräpeiliin, tai asuntoautoon tai perävaunuun. Sitä ei ole suunniteltu asutokäyttöön.

7. VAROITUKSET

Lämpötilan asetukset: Palovammojen ehkäisemiseksi hanaan tulevan kuuman veden lämpötila tulee säätää välille +43°C - +60°C (110°F - 140°F), riippumatta veden lämmitystavasta. Kuumaveden lämmön ehdoton yläraja tulee asettaa arvoon +82°C (180°F).



VAROITUS Suihkun lämpötilan tulisi olla turvallisuussyistä enintään +38°C (100°F). Korkeampi lämpötila saattaa johtaa ihon palovammoihin. Suurin riski tällaiseen on lapsilla, vanhuksilla, liikuntavammaisilla ja diabeetikoilla.

VAROITUS: Whale Twist® kansisuihku ei sovellu asuntokäyttöön.

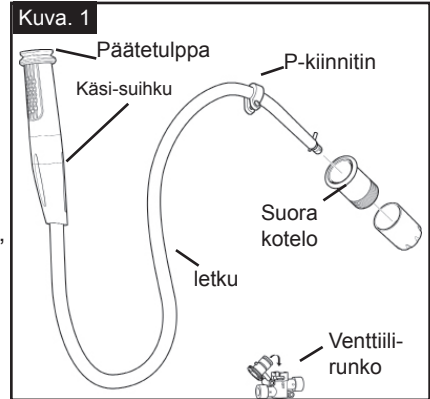
8. SUORAKOTELOMALLIT OSALUETTELO

SUORAKOTELOMALLIT SEKOITINVERSIO

- 1 Käsisuihku ja letku, jossa P-kiinitin (ruuvi mukana)
- 1 Suora kotelo
- 1 Lukitusmutteri
- 1 Venttiilirunko (mukana 2 ruuvia) Myös väliaikaisen shut off venttiili liitteenä
- 2 WX1532B - sovitin 1/2" BSP naaras (tulee vain vähittäispaketun version mukana, OEM versioiden mukana sovitin toimitetaan erillisenä)

KYLMÄVESIVERSIO

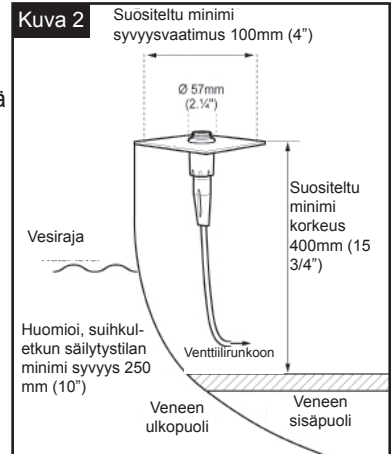
- 1 Käsisuihku ja letku, jossa P-kiinitin (ruuvi mukana)
- 1 Suora kotelo
- 1 Lukitusmutteri
- 1 WX1532B - sovitin 1/2" BSP naaras



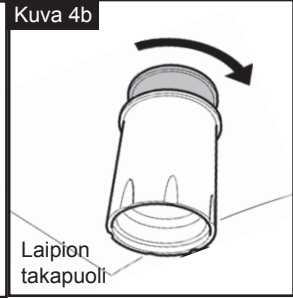
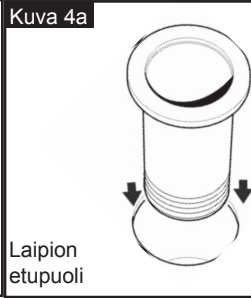
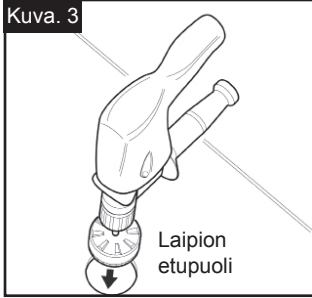
9. SUORAN KOTELON ASENNUS

VAIHE 1 Valitse sopiva sijainti suihkun asennukseen. Ainutlaatuinen suunnittelu sallii asennuksen tasaiseen pintaan, joko vaakasuoraan tai kaltevaan. Varmista että takana on tarpeeksi tilaa kun suihku ja letku on työnnetty pois käytöstä. Katso kuvasta 2 asennukseen suositellut mitat leveyden ja syvyyden suhteen. Varmista, että putkiston liittimet ja P-kiinitin tulevat mahdollisimman lähelle suihkun koteloa jotta letkun käyttökelpoinen pituus olisi mahdollisimman suuri.

Huomattavaa: Ennen asennusta varmista että takana on tarpeeksi tilaa kun suihku ja letku on työnnetty pois käytöstä. Varmista myös, että suihkulle on vapaat tilat kun se on vedetty ulos.



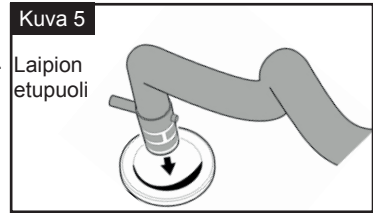
VAIHE 2 Kun olet huomionnut kuvan 2 mukaiset leveyden ja syvyyden vaatimukset, poraa yksi 50mm (2") halkaisijaltaan oleva reikä laipioon tai runkoon vesilinjan yläpuolella. (Katso kuva 3.) Huomaa, että asennuskohdan minimipaksuuden tulee olla 3mm (1/8"); maksimipaksuuden 19mm (3/4").



VAIHE 3 Paina kotelo reiästä läpi. Kiristä lukitusmutteri käsitiukkuuteen laipion takapuolelta. Katso kuvat 4a ja 4b.

VAIHE 4 Syötä letkua kotelon läpi kunnes käsisuihku on paikoillaan. (Katso kuva 5).

Katso luvusta 8 putkitöiden yksityiskohtia.



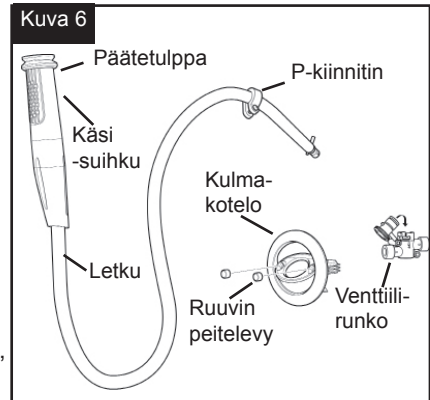
10.KULMAKOTELOMALLIT

Erytisen sopiva paikkoihin, missä tila laipion takana on rajoitettu (kuva 7).

OSALUETTELO – KULMAKOTELOMALLIT

SEKOITINVERSIO

- 1 Käsisuihku ja letku, jossa P-kiinnitin
- 1 Kulmakotelo
- 2 Ruuvin peitelevy
- 1 Venttiilirunko (mukana 2 ruuvia) Myös väliaikaisen shut off venttiili liitteenä
- 2 WX1532B - sovitin 1/2" BSP naaras (tulee vain vähittäispakatun version mukana, OEM versioiden mukana sovitin toimitetaan erillisenä)



KYLMÄVESIVERSIO

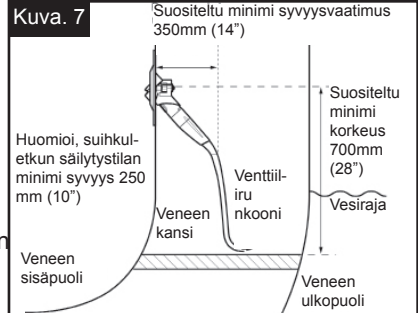
- 1 Käsisuihku ja letku, jossa P-kiinnitin
- 1 Kulmakotelo (mukana 3 kannatinrengasta: - musta, punainen, sininen)
- 2 Ruuvin peitelevy
- 1 WX1532B - sovitin 1/2" BSP naaras

11. KULMAKOTELON ASENNUS

VAIHE 1 Valitse sopiva sijainti suihkun asennukseen. Ainutlaatuinen suunnittelu sallii asennuksen tasaiseen pintaan, joko vaakasuoraan tai kaltevaan.

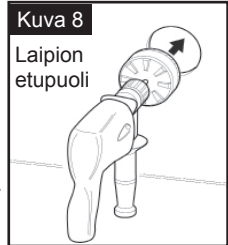
Maksimi kaarevuus = 1 metrin säde.

Varmista että takana on tarpeeksi tilaa kun suihku ja letku on työnnetty pois käytöstä. Katso kuvasta 7 asennukseen suositellut mitat leveyden ja syvyyden suhteen. Varmista, että putkiston liittimet ja P-kiinnitin tulevat mahdollisimman lähelle suihkun koteloa jotta letkun käyttökelpoinen pituus olisi mahdollisimman suuri.



Huomattavaa: Ennen asennusta varmista että takana on tarpeeksi tilaa kun suihku ja letku on työnnetty pois käytöstä. Varmista myös, että suihkulle on vapaat tilat kun se on vedetty ulos.

VAIHE 2 Poraa yksi 89mm (3 1/2") halkaisijaltaan oleva pyöreä reikä laipioon tai runkoon vesirajan yläpuolelle. Asennuskohdan minimipaksuus on 6mm (1/4") Asennuskohdan maksimipaksuus on 12mm (3/4"). (Katso kuva 8).

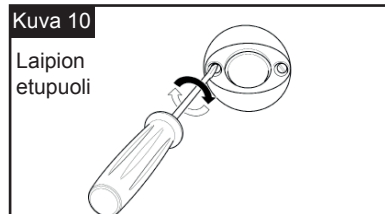
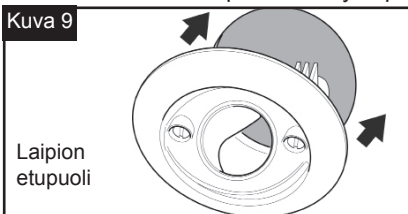


VAIHE 3 Telineen ja tukirenkaiden asennuksen helpottamiseksi löysää ruuvit (2 kpl) kunnes ne ovat lähes irti kierteisestä osasta.

VAIHE 4 Varmista että musta kannatinrenkas on paikoillaan koteloa takana. Jos kotelo asennetaan kaarevaan pintaan vaihda tämä renkas sopivaan renkaaseen alla olevan mukaisesti:

Tasaiseen pintaan	Käytä mustaa rengasta, joka on kiinnitetty valmiiksi koteloon
Hiukan kaarevaan pintaan - säde suurempi kuin 10 metriä	Käytä sinistä kannatinrengasta
Voimakkaasti kaartuvaan pintaan, säde on 10 m ja 1 m välillä	Käytä punaista kannatinrengasta

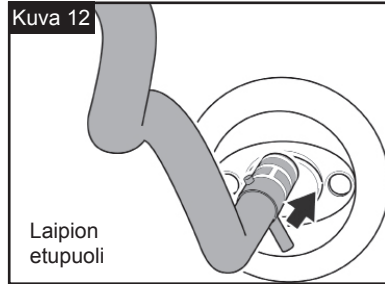
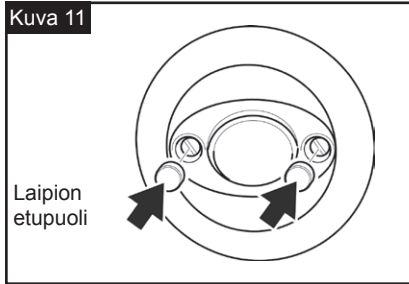
Huomaa: Jos kannatinrenkas vaihdetaan siniseen tai punaiseen renkaaseen, varmista että renkaan tasainen puoli tulee ylöspäin.



VAIHE 5 Työnnä kotelo läpi asennusreiästä (kuva 9). Asenna kiristämällä kaksi ruuvia etupuolelta kunnes laippa on tukevasti kiinnitetty laipioon (katso kuva 10). Sen tulee koskettaa laipiota joka kohdaltaan. Varmista, että ruuvinreiät ovat vaakasuorassa suunnassa.

VAROITUS: Älä ylikiristä ruuveja..

VAIHE 6 Paina muoviset peitelevyt ruuvin syvennyksiin käsin. (Katso kuva 11.)



VAIHE 7 Syötä letkua kotelon läpi kunnes käsisuihku on paikoillaan. (Katso kuva 12).

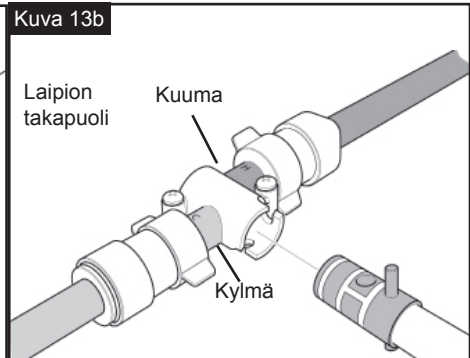
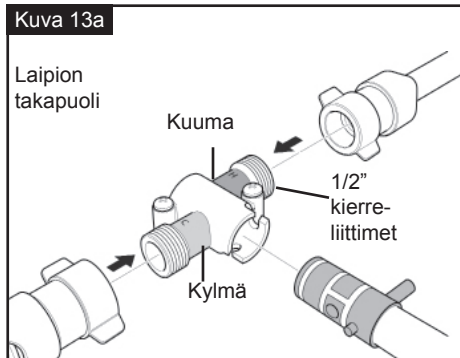
Katso luvusta 8 putkitöiden yksityiskohdat.

12. PUTKITYÖT

PUTKITÖIDEN VALMISTELUT

VAIHE 1 Laita sähkölaitteet pois päältä, avaa kaikki hanat ja suihkut (kylmä ja kuuma vesi), jotta paine poistuisi järjestelmästä. Poista olemassa olevat suihkut.

VAIHE 2 Asenna sekä kuuman että kylmän veden putkiin 1/2" liittimet, jotka sopivat venttiiliin runkoon (kuva 13a).



PUTKITYÖT - SEKOITINMALLIT

(Tuotenumerot DS0003B, DS0004B, DS0013B, DS0014B, DS0413B, DS0414B DS0006).

VAIHE 1 Kiinnitä venttiilirunko mukana toimitetuilla ruuveilla ja numero 2 Pozidrive-ruuvimeisselillä.

Huomautus: Venttiilirungon tulisi sijaita niin lähellä suihkukoteloa kuin mahdollista. Tilaa täytyy olla niin että käsisuihku voidaan vetää ulos suihkua varten ja laittaa takaisin paikoilleen suihkun jälkeen. (katso kuva 2 katso kuva 7).

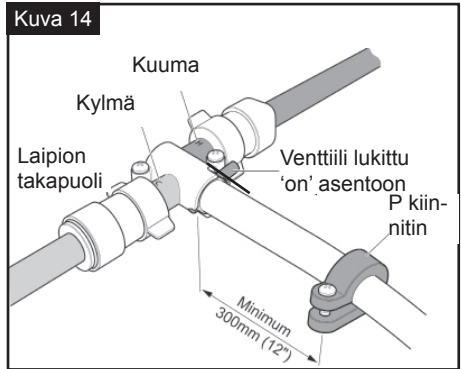
Huomautus: Jotta runko voidaan kiinnittää tukevasti, asennusseinämän paksuuden tulee olla vähintään 19mm (3/4”).

VAIHE 2 Kytke kuuman ja kylmän veden putket venttiiliin 1/2” kierrelitoksiin. Jos käytät Whale Quick Connect putkiliittimiä, käytä kahta WX1532B liittintä (toimitetaan vähittäismyyntipakkauksen mukana, OEM pakattuun versioon ne on hankittava erillisinä). (Katso kuvat 13a ja b).

VAIHE 3 Liitä suihkuletku venttiiliin runkoon. Paina se sisään ja käännä liittimen tapista letkua 30 astetta myötäpäivään, jolloin se lukittuu koloonsa ja painaa venttiiliin 'on' (auki) asentoon. (Katso kuva 14).

Varmista, että letku on työnnetty pohjaan saakka liittäjän varmistamiseksi.

VAIHE 4. Venttiili lukitussa asennossa Kiinnitä P-kiinnitin laipioon siten että se sijaitsee vähintään 300 mm päässä venttiilin rungosta (katso kuva 14).



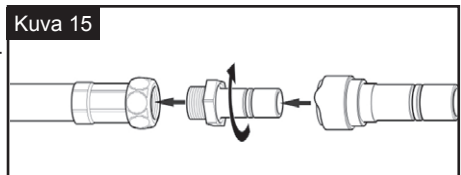
Huomautus Jotta runko voidaan kiinnittää tukevasti, asennusseinämän paksuuden tulee olla vähintään 19mm (3/4”).

VAIHE 5 Sulje kaikki hanat ja suihkut. Käynnistä vesipumppu ja tarkasta kaikki liitokset, että ne pysyvät kuivina. Testaa käsisuihkun Twist toiminta (katso kuva 10).

PUTKITYÖT - KYLMÄVESIMALLIT

Tuotenumerot: DS0211B, DS0212B, DS0213B, DS0005

VAIHE 1 Kytke suihku vesijohtoon (katso kuva 15). Kytettäessä pikaliitinjärjestelmään Quick Connect Plumbing, WU1215 (sisältyvät).



VAIHE 2 ASENNA P-KIINNITIN LAIPIOON
Ruuva P-kiinnitin laipioon niin että se sijaitsee vähintään 300 mm päässä venttiilirungosta (katso kuva 14).

Huomautu Jotta runko voidaan kiinnittää tukevasti, asennusseinämän paksuuden tulee olla vähintään 19mm (3/4”).

VAIHE 3 Sulje kaikki hanat ja suihkut. Käynnistä vesipumppu ja tarkasta kaikki liitokset, että ne pysyvät kuivina. Testaa käsisuihkun Twist toiminta (katso luku 14).

13. HUOLTOTOIMENPITEET

Kaikki Whale Twist® mallit

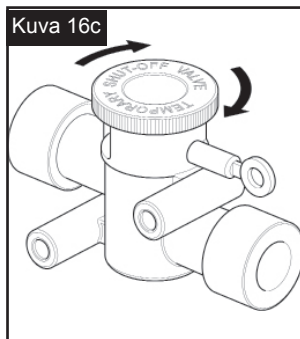
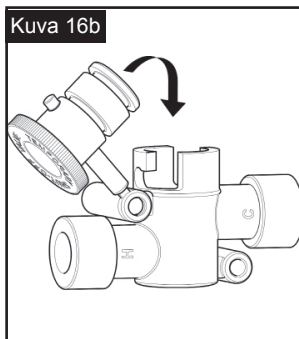
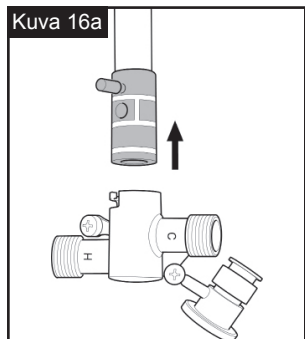
Puhdista kotelo ja käsisuihku lämpimällä saippuvedellä. Käytä tarvittaessa hammasharjaa.

Älä käytä kemiallisia puhdistusaineita.

Suosittelimme säännönmukaista putkiston ja liitosten tarkastamista.

Sekoittaja malleissa

Jos haluat poistaa suihkuletkun talvisäilytyksen tai letkun uusimisen yhteydessä, poista letku sekoitusventtiilistä ja asenna tilapäinen tulppa kuvan osoittamalla tavalla. (katso kuva 7 16a, 16b, 16c). Tämä mahdollistaa makeanvesijärjestelmän käytön, kunnes uusi letku on asennettu.

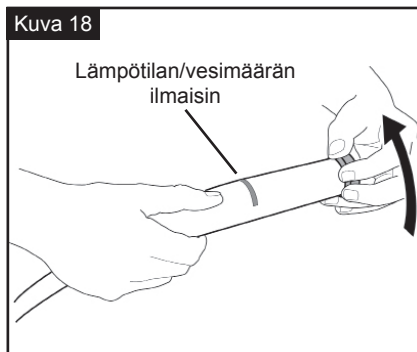
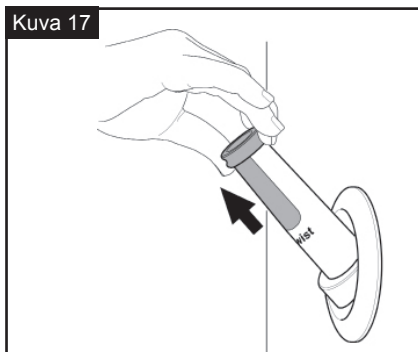


14. KÄYTTÖOHJEET

VAIHE 1 Vedä käsisuihku varovaisesti ulos kotelosta. (katso kuva 17).

VAIHE 2: Aseta veden virtaus ja lämpötila. Lämpötila-asetus ei koske kylmävesimalleja. Käännä käsisuihku haluttuun virtaus- ja lämpötila-asentoon (katso kuva 18).

VAROITUS: Turvallisuussyistä lämpötila tulisi asettaa +38°C (100°F). Korkeampi lämpötila saattaa johtaa ihon palovammoihin. Suurin riski tällaiseen on lapsilla, vanhuksilla, liikuntavammaisilla ja diabeetikoilla



VAIHE 3 Nauti suihkusta.

KÄYTÖN JÄLKEEN:

VAIHE 1 Käännä käsisuihkun yläosa 'off' asentoon

Huomautus: Varmista, että käsisuihku on täysin suljettu ennen kuin asetat sen koteloonsa.

VAIHE 2 Aseta käsisuihku koteloon.

15. VIANETSINTÄ

OIRE	MAHDOLLISIA SYITÄ	KORJAUSTOIMENPIDE
Riittämätön veden virtaus	Suihkun suuttimen reiät tukossa	Tarkasta käsisuihkun tukokset. Puhdista lämpimällä saippuavedellä ja hammasharjalla. Älä käytä kemiallisia puhdistusaineita.
Ei virtausta	Pumppu saattaa olla rikki. Venttiilirunko ei ole lukittuna 'on' asennossa.	Tarkasta, että pumppu toimii. Varmista, että venttiilirunko on lukittu 'on' asentoon (katso kuva 14).

16. TALVITELOILLE LAITTO

Talvella tapahtuva jäätyminen saattaa vahingoittaa Whale Twist® kansisuihkua. Jotta tältä vahingolta vältyttäisiin, varmistaudu että järjestelmä on laskettu kokonaan tyhjäksi.

Undvik skador genom att se till att systemet är helt tömt på vatten.

1. Tyhjennä tuorevesisäiliö käyttäen pumppua tai tyhjennysventtiiliä.
2. Käynnistä pumppu ja avaa kaikki hanat (mukaan lukien tyhjennysventtiili) ja anna pumpun tyhjentää kaikki vesi järjestelmästä.
3. Avaa Whale Twist® kansisuihku ja odota että veden tulo lakkaa.
4. Sulje Whale Twist® kansisuihku.
5. Käännä vesipumpun automaattisulake 'off' asentoon.
- 6. Muista jättää kaikki hanat auki paitsi Whale Twist® kansisuihku.**

17. VAIHTO-OSAT

Jos tarvitset neuvoja asennukseen tai huoltoon, ota yhteyttä tuotetukeen, Whale customer support:

Tel: +44 (0)28 9127 0531
USA Tel: +1 616 897 9241

Email: info@whalepumps.com
USA Email: usasales@whalepumps.com

Huomautus Whale Twist® kansisuihkun letku tulisi uusua joka 5. vuosi.

18.PATENTIT JA TAVARAMERKIT

WHALE®, WHALE TWIST® ja DECK PROTECT® ovat Munster Simms Engineering Limited'in tavaramerkkejä. Yritys käyttää myös aputoiminimeä Whale Seaward Inc.

Whale Twist® kansisuihku on suojattu seuraavilla patenteilla ja tuotesuojarekisteröinnin hakemuksilla:

USA:n patenttinumero: 0621530.5

Euroopan patenttinumero: 07119601.8

Norjan patenttinumero: 0621530.5

Uuden Seelannin patenttinumero: 562931

Australian patenttinumero: 2007231705

USA:n patenttinumero: 11/814640

UK patenttinumero: 0711496.0

UK patenttinumero: 0719338.6

Design Registration:

Eurooppalainen: 000760632.0001

Eurooppalainen: 760632

Eurooppalainen: 000305957

Australialainen: 21517/2007

Australialainen: 21518/2007

Kanadalainen: 124293

Kanadalainen: 124924

USA: 29/299,514

USA: 29/299,515

19. TAKUU

Whale Twist® kansisuihkulla on 1 vuoden takuu.

Takuuehdot löytyvät laitteen mukana tulevasta takuutodistuksesta: Whale's Statement of Limited Warranty.

©Copyright Whale 2019 - Kaikki oikeudet pidätetään. Kopiointi kokonaan tai osittain ilman lupaa on kielletty. WHALE® on Munster Simms Engineering Limited, Bangor, Northern Ireland (kauppanimi Whale) rekisteröimä tuotemerkki. Whale-yhtiön jatkuvan tuotekehityksen johdosta pidätämme oikeuden teknisten tietojen muutoksiin ilman ennakoilmoitusta. Kuvat ovat vain ohjeellisia.

Yhtiö ei takaa tässä tai muissa tuote-esitteissä olevien tietojen täydellisyyttä tai tarkkuutta, jonka lisäksi yhtiö pidättää oikeuden muuttaa tietoja oman harkintansa mukaisesti.

Munster Simms Engineering Ltd.

2 Enterprise Road, Bangor, N. Ireland BT19 7TA

www.whalepumps.com

NOTES

Contact Us

Munster Simms Engineering Ltd - Whale

Unit 2 Enterprise Road, Bangor, Co. Down BT19 7TA

tel: +44 (0)28 9127 0531

info@whalepumps.com whalepumps.com

Whale

tel: +1 616 897 9241

usasales@whalepumps.com whalepumps.com

©Copyright Whale® 2019 - All rights reserved. Reproduction in whole or in part without permission is prohibited.

WHALE® and Twist® are registered trademarks of Munster Simms Engineering Limited, Bangor, Northern Ireland trading as Whale. Whale's policy is one of continuous improvement and we reserve the right to change specifications without prior notice. Illustrations are for guidance purposes only.

Neither the accuracy nor completeness of the information contained in any product brochure is guaranteed by the Company and may be subject to change at its sole discretion.