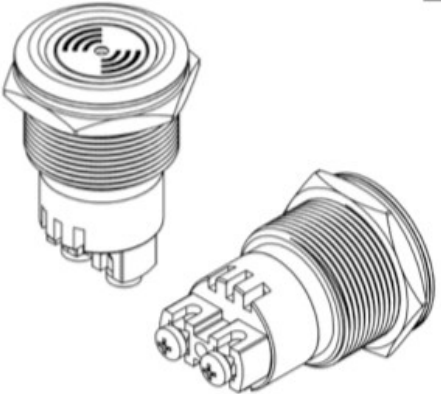
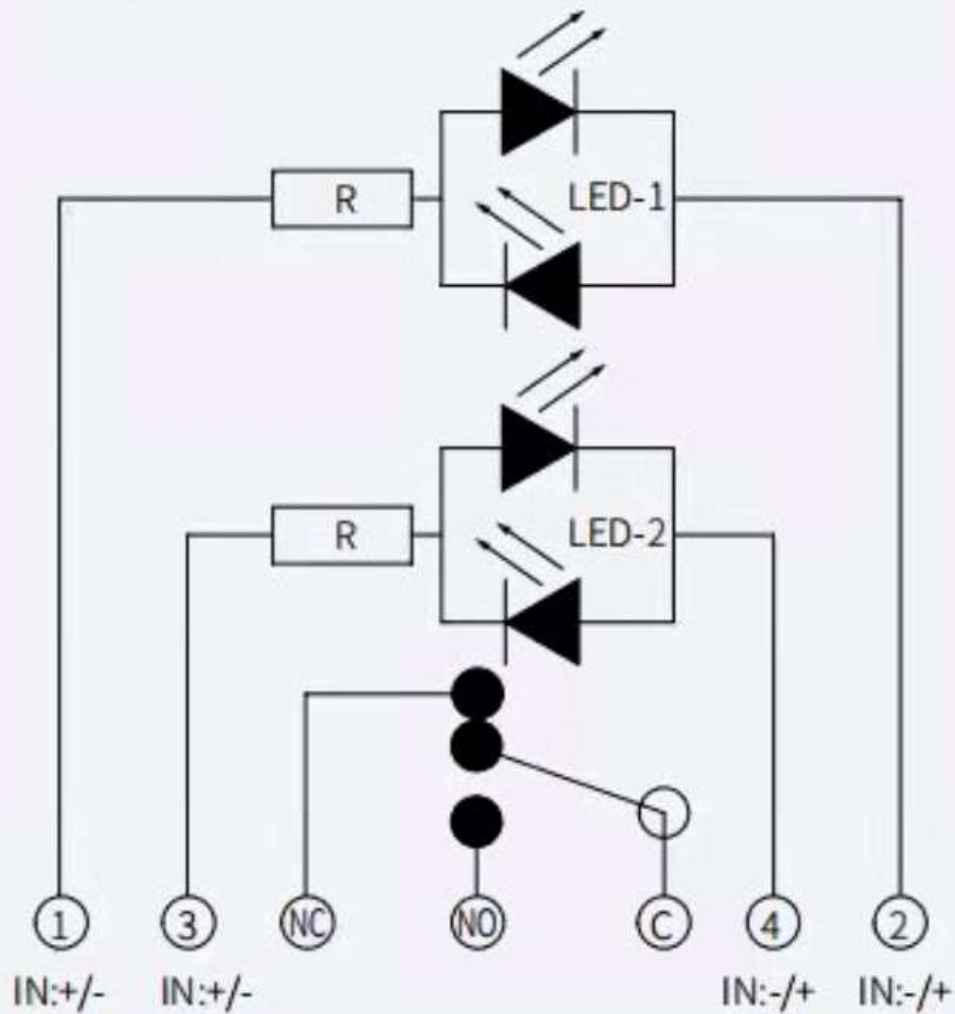


Voltage	12V/DC
current	20~25mA
loudness	90~110/dB
frequency	2300±300
glow color	red
sound mode	stutter
working environment	-30℃~+85℃
Nut torque	≈ 15N.m
Wiring	Stud Terminals
Appearance material	Housing/SUS304 stainless steel
Institutional material	Aperture/PC base/PA66
Terminal Material	H59/Silver plated
Installation size	22~22.5mm
waterproof level	IP65
Protection class	IK08
Lamp bead life	100000/h
Insulation resistance	≥ 1000mΩ
Compressive strength	≥ 1900VAC/Min



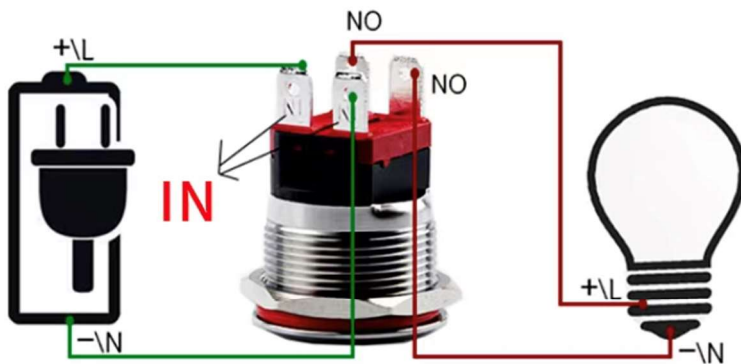
ELECTRICAL SCHEMATIC DIAGRAM



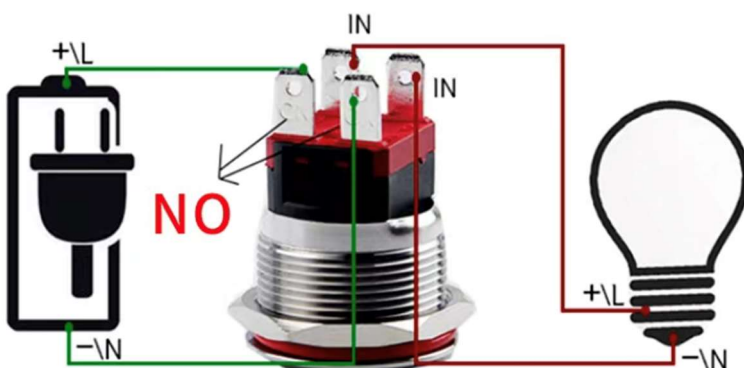
1NO1NC WITH LIGHT
(NON-POLAR TWO-COLOR DOUBLE LED)

1. Button LED light is always on wiring method

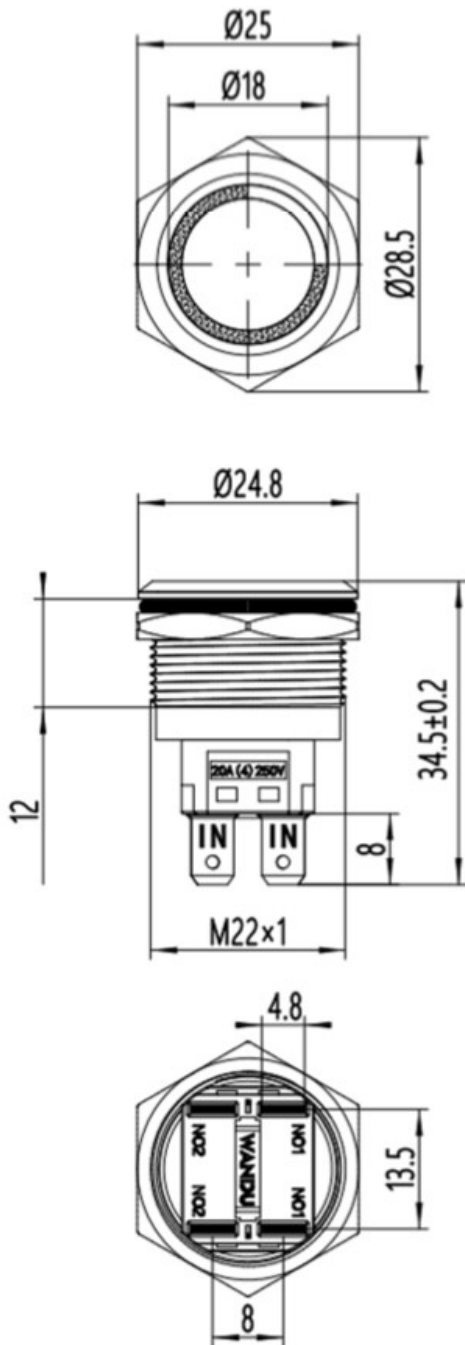
The positive pole (L) and negative pole (N) of the power supply are connected to the two NO pins of the switch;
The two INs of the switch are respectively connected to the positive (L) and negative (N) output terminals of the device;



2. Button and device synchronous lighting wiring method :



Note the letters on the feet!



Switching voltage	1.5V-250VAC/DC
Switching current	3mA-20A
LED voltage	3v-220VAC/DC
LED current	3mA-20mA
Luminous color	Red, yellow, blue, green, white (customizable)
Forms of work	Self-locking/moment
working environment	-30°C~+80°C
Nut torque	5-14N. m
Button pressure	About 5N
Switch combination	2NO (two normally open)
Wiring	Soldering terminal (pin)
Appearance material	H59 nickel plating/SUS304/aluminum alloy anodizing
Institutional materials	Base-PA6/pin-brass silver plated/base-PC
Contact point material	Silver alloy
Installation size	Hole diameter 22mm Spatial depth35mm
waterproof level	IP67
Protection level	IK10
Lamp beads life	40000 hours
Electrical life	0.2A/250VAC: 200,000 times 20A/250VAC: 50,000 times
Mechanical life	Self-locking-250,000/times Self-repairing-500,000/times
Contact resistance value	≤ 50m Ω
Insulation resistance	≥ 1000mΩ
Compressive strength	1900VACmin
Certified products	CE ROHS

