

COMBI BOW / MASTHEAD / STERN TWO STARBOARD TWO / PORT TWO

Thank you for purchasing a Norby Marine light

The product offers navigation light at a very low power consumption. The product is designed in high quality for many years usage in harsh marine environment

The installation is easy, using only a few set of tools

Positioning and operation

- May only be installed on vessels of less than 20 meters in length
- Mounted on a vertical surface, where the light can be seen without any obstructions

Connecting power

- Supply voltage between 10VDC and 30VDC
- Recommended <2A (slow) fuse or circuit breaker

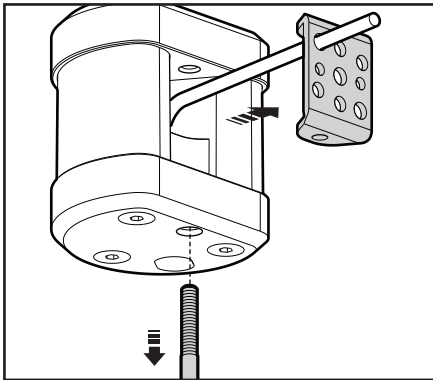
Specifications

Housing materials	Corrosions resistant surface treated aluminium UV resistant PMMA
Visible distance	2 Nautical Miles - Combi Bow, Stern Two, Starboard Two, Port Two 3 Nautical Miles - Masthead
Lifetime	> 40.000 hours
Light source	LED
Voltage protection	Reverse polarity protected Spike protected to +500 volts Electromagnetic compatibilities (EMC)
Power consumption	1W - Stern Two, Port Two, Starboard Two 2W - Combi Bow, Masthead
Dimensions	75mm (diameter) x 75mm (height)
Weight	490g
Warranty	2 years product limited warranty. If you want to claim a warranty for your product, please write an email to claim@norbymarine.com

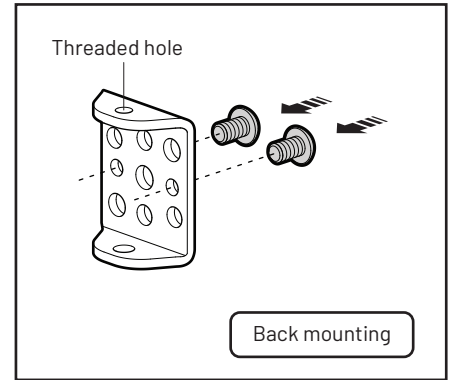
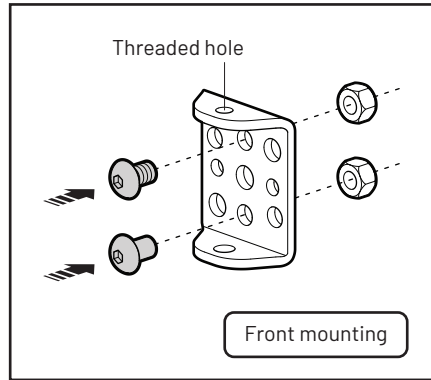


The light must be mounted with the "zero degrees indication arrow" parallel to the vessel centerline pointing forward

Step 1 Remove bracket from light by loosening mounting screw in bottom of light

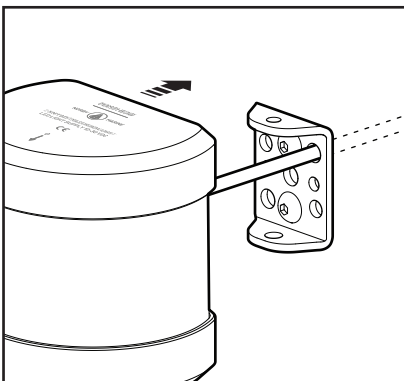


Step 2 Fasten bracket to mounting surface of vessel using supplied M5 screws or other appropriate rivets (not included). Make sure bracket is properly levelled. Bracket can be secured from either the front or the back

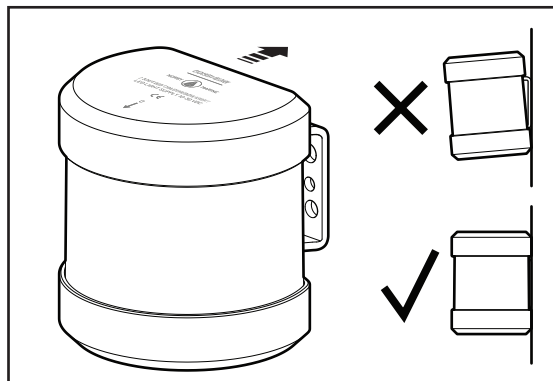


Alternatively use a replacement bracket (not included) for exchanging the light with previous light without drilling additional holes in the mounting surface. Refer to your Norby Marine dealer for purchase of a replacement bracket

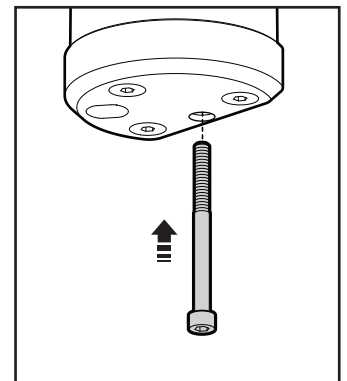
Step 3 Drill 5 mm hole in mounting surface through a hole in bracket. Pull power cable through hole



Step 4 Place light correctly over bracket and hold light tightly against mounting surface



Step 5 Fasten mounting screw in bottom of light

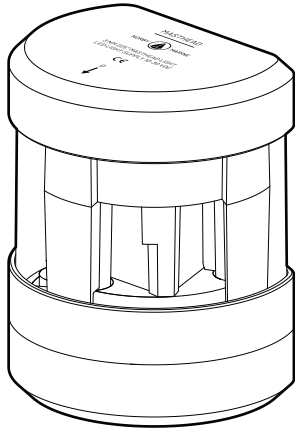


Step 6 Wire and connect cable to vessels electrical circuit. Use supply voltage between 10VDC and 30VDC (Typically 12 or 24 VDC). Route cable away from electric motors or other items with large inductive fields. Route cable away from heat sources such as motor or heater. Avoid chafe

Colour	Connect to
Black	Negative (-)
Red	Positive (+)

Service

- Clean ONLY with freshwater or a damp cloth
- DO NOT use alcohol or thinner for cleaning. This could damage the lens



MASTHEAD w. DECK LIGHT

Thank you for purchasing a Norby Marine light

The product offers a masthead light with deck light at a very low power consumption. The product is designed in high quality for many years usage in harsh marine environment

The installation is easy, using only a few set of tools

Positioning and operation

- May only be installed on vessels of less than 20 meters in length
- Mounted at the middle of the mast, where the light can be seen without any obstructions

Connecting power

- Supply voltage between 10VDC and 30VDC
- Recommended <2A (slow) fuse or circuit breaker

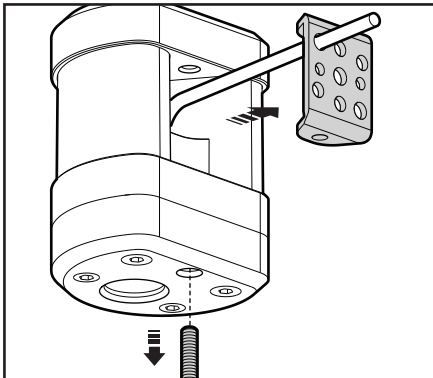
Specifications

Housing materials	Corrosions resistant surface treated aluminium UV resistant PMMA
Visible distance	3 Nautical Miles
Lifetime	> 40.000 hours
Light source	LED
Voltage protection	Reverse polarity protected Spike protected to +500 volts Electromagnetic compatibilities (EMC)
Power consumption	Masthead 2W. Deck light 2W
Dimensions	75mm (diameter) x 90mm (height)
Weight	560g
Warranty	2 years product limited warranty. If you want to claim a warranty for your product, please write an email to claim@norbymarine.com

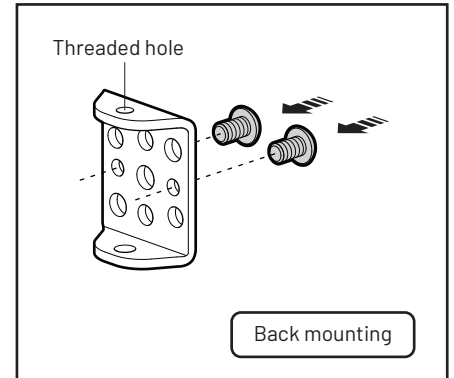
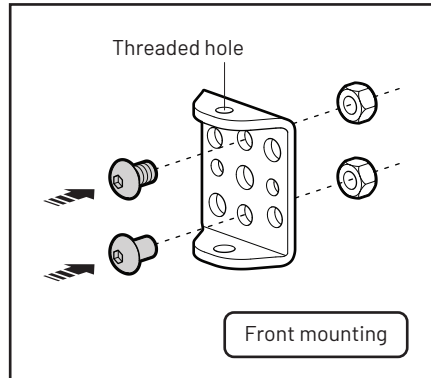


The light must be mounted with the "zero degrees indication arrow" parallel to the vessel centerline pointing forward

Step 1 Remove bracket from light by loosening mounting screw in bottom of light

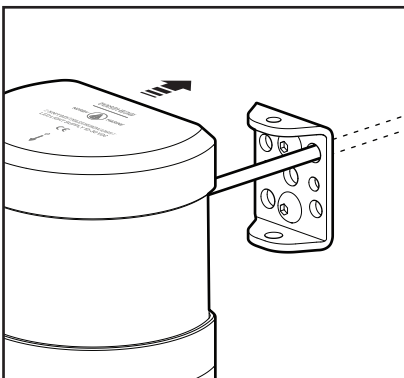


Step 2 Fasten bracket to mounting surface of vessel using supplied M5 screws or other appropriate rivets (not included). Make sure bracket is properly levelled. Bracket can be secured from either the front or the back

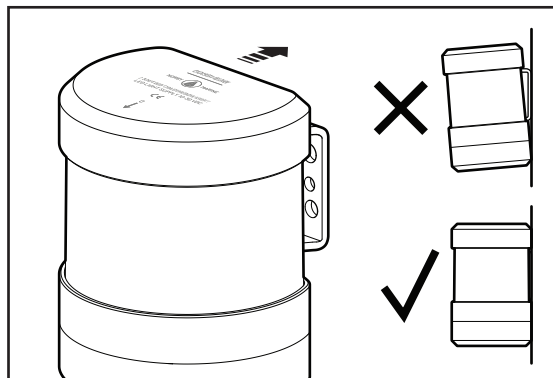


Alternatively use a replacement bracket (not included) for exchanging the light with previous light without drilling additional holes in the mounting surface. Refer to your Norby Marine dealer for purchase of a replacement bracket

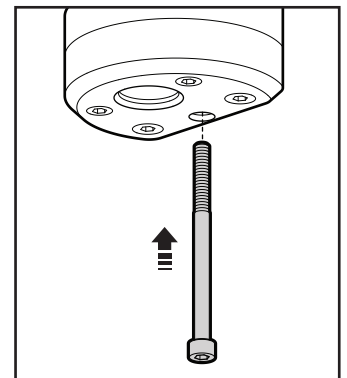
Step 3 Drill 5 mm hole in mounting surface through a hole in bracket. Pull power cable through hole



Step 4 Place light correctly over bracket and hold light tightly against mounting surface



Step 5 Fasten mounting screw in bottom of light



Step 6 Wire and connect cable to vessels electrical circuit. Use supply voltage between 10VDC and 30VDC (Typically 12 or 24 VDC). Route cable away from electric motors or other items with large inductive fields. Route cable away from heat sources such as motor or heater. Avoid chafe

Colour	Connect to	Power	Function
Black	Negative (-)		
Red	Positive (+)	2 W	Masthead light
White	Positive (+)	2 W	Spot light

Service

- Clean ONLY with freshwater or a damp cloth
- DO NOT use alcohol or thinner for cleaning. This could damage the lens