

SCM-ET-GPS01

(Datasheet)

Type	Marine Antenna
Frequencies	GPS (1575.42 MHz) GLONASS (1592 - 1610 MHz)
Mounting	Screw Mount
Revision	00



1. PRODUCT SELECTOR

SCM-ET-GPS01

With bracket, 10m cable and TNC connector

2. SPECIFICATION

2.1. Electrical Specifications

Frequencies	GPS/GLONASS (1572 – 1610 MHz)
Impedance	50 Ohms
Polarization	RHCP
LNA Gain	23dB at 3V and 24dB at 5V
VSWR	<1.2:1
Voltage supply	2,7V - 5,5V
Current	15 mA to 25 mA
Power (max.)	138mW
Operating temperature	-40°C to +85°C
IP certification	IP67
Note	Antenna is filtered

2.2. Connection Specifications

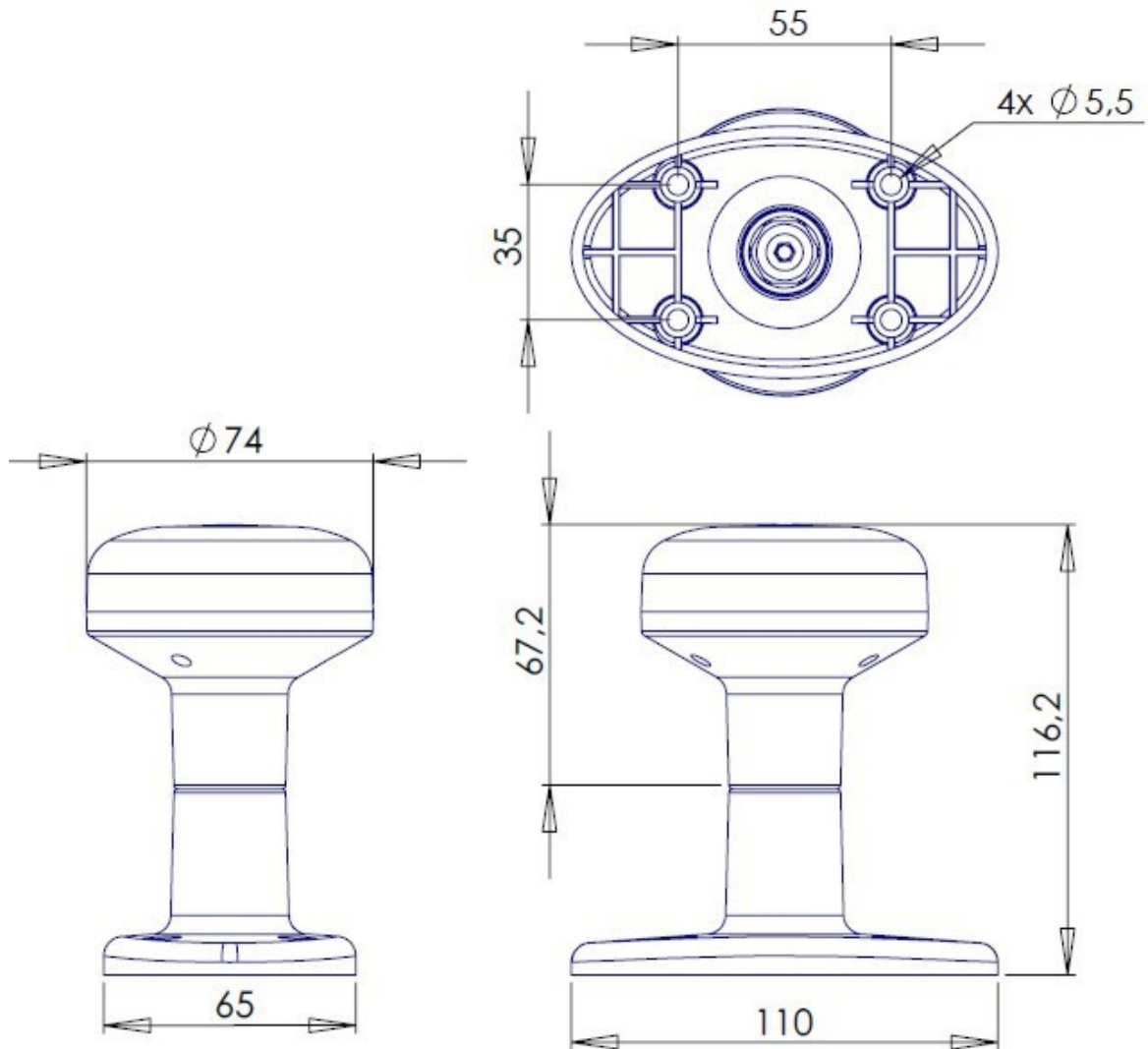
Connector type: TNC male

- Antenna sold with 10m extension cable (TNC male to any connectors suitable for RG58)

2.3. Mechanical Specifications and Dimensions

2.3.1. SCM-ET-GPS01

Material: ASA
 Max. dimensions: 116mm x 110mm x 74mm (H x L x W)
 Weight: 130 g 'counted with default connection'
 Colour: White

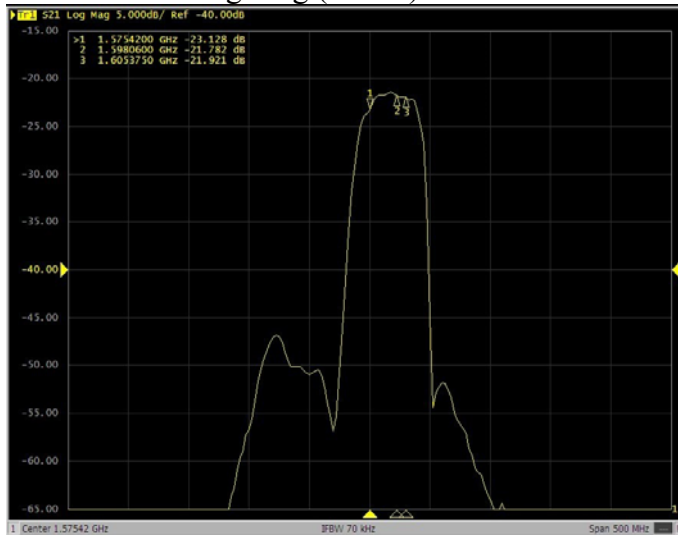


3. MEASUREMENT

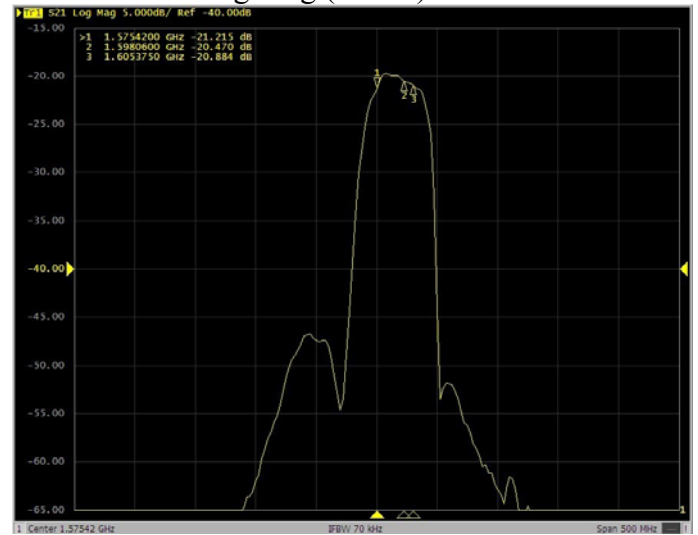
- Antenna was tested with 30cm of RG58 in anechoic chamber

3.1. Antenna gain (S21)

Log Mag (GNSS) at 3V

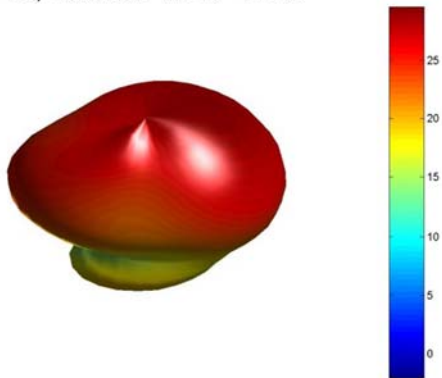


Log Mag (GNSS) at 5V

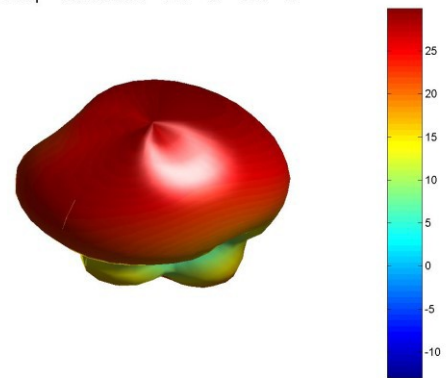


3.2. 3D radiation pattern

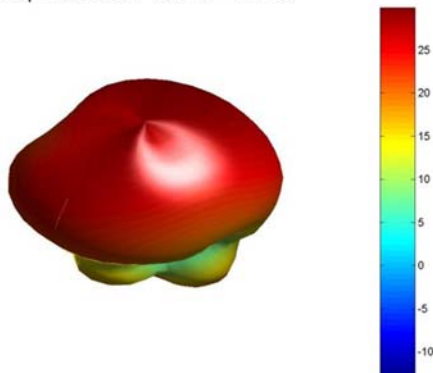
Freq = 1.5754GHz Az= 45 EL= 45



Freq = 1.5979GHz Az= 45 EL= 45



Freq = 1.5979GHz Az= 45 EL= 45



4. IMAGES

