



FEATURES

- **Industry Grade GPS Receiver**
- **WiFi and Ethernet connectivity**
- **Built-in ARMv8 Microcomputer for on-board data processing**
- **Highly configurable to suit any GPS network**
- **Ideal for feeding GPS location data to remote networks and databases**
- **Built-in USB ports for local monitoring**
- **Built-in HDMI port for connecting a display monitor**
- **Built-in micro-SD card slot for storing the OS and supporting software**
- **4 USB ports**

RECEIVERS

G300Ni INTELLIGENT GPS RECEIVER WITH WIFI

SKU: 001-1070

[View Online >](#)

OVERVIEW

The G300Ni Intelligent GPS receiver with WiFi is a GPS receiver interfaced to a ARMv8 microcomputer. The G300Ni is designed as a powerful and flexible platform for remote GPS monitoring applications, able to forward GPS data across a network. Multiple units can be deployed to form a complete monitoring network to report back to your chosen location.

The unit has both WiFi and Ethernet connectivity, as well as 4 USB ports and an HDMI connector for a monitor display. The G300Ni can be supplied pre configured, ranging from simple network setting to bespoke management software solutions, or supplied as a development platform for you to implement your own solution.

The G300Ni with its robust design and commercial grade GPS receiver makes it the perfect choice for monitoring of high value mobile assets.

APPLICATIONS

- Remote monitoring of GPS data via network
- Tracking mobile assets from a central location
- Bespoke data management software for logging and distribution of data developed by Comar Systems
- Development platform for your own software solution
- Logging data on internal storage while no network connection is available

RELATED PRODUCTS

[AG100](#) - GPS Antenna

[R500Ni](#) - Intelligent Network AIS receiver with WiFi

[R500NGi](#) - Intelligent Network AIS & GPS receiver with WiFi

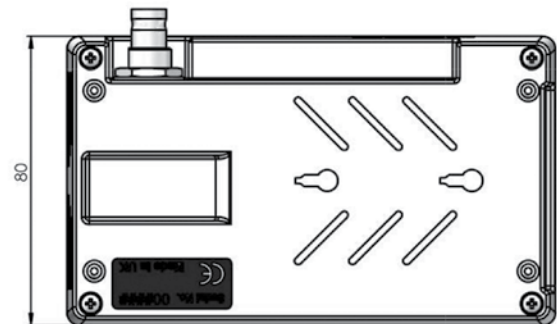
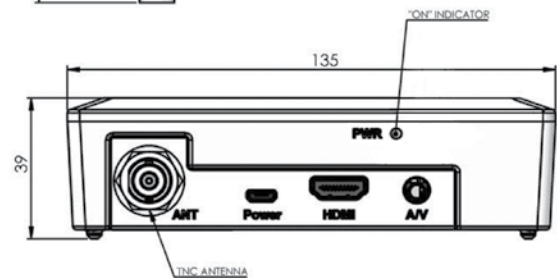
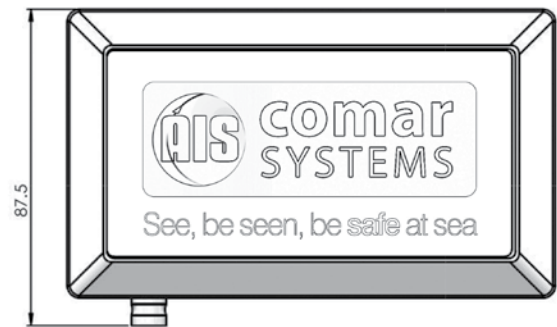
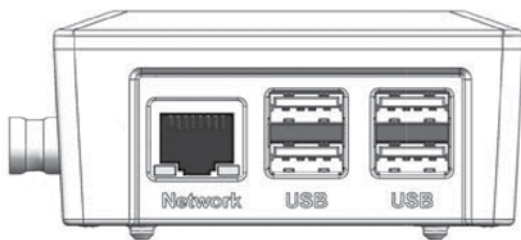
PHYSICAL	
Weight:	400g
Dimensions:	L 135 mm W 80 mm D 39 mm
Mounting:	To flat surface; 2 holes in case bottom
Connections:	Micro USB (Power); RJ45 Ethernet 10 / 100 Base-T; 4x USB 2.0 type B socket; TNC Coaxial to antenna; Micro-SD card slot
Construction:	Plastic housing
Finish:	Black plastic, textured

ELECTRICAL	
Power Supply:	5 V dc; 900 – 1200 mA typical
Antenna Impedance:	50 Ω
USB power:	100 mA each port (max)

OPERATIONAL	
Frequency	1575.42MHz
Sensitivity:	< -112 dBm
Microcomputer:	1.2 GHz 64bit quad-core ARM v8 CPU
WiFi:	802.11n
Display:	1 Indicator LED (Power ON)
NMEA Sentences available:	Standard - GPRMC GPGGA GPGSA GPGSV Optional - PGRME GPGLL GPVTG PGRMV PGRMF PGRMB PGRMM PGRMT

ENVIRONMENTAL	
IP Rating:	IP40
Operating temp:	-15°C to +55°C
Compass:	Safe Distance 50 cm

ADDITIONAL	
Supplied:	G300Ni receiver 'bare bones' without software
Option 1:	G300Ni receiver with standard configuration software
Option 2:	G300Ni receiver with bespoke data management software



Copyright © 2019 Comar Systems Ltd. - G300Ni Datasheet v06r02

Vittlefields Technology Centre, Forest Road, Newport, Isle of Wight, United Kingdom. PO304LY
Comar Systems Ltd. reserves the right to make changes to its products and specifications without prior notice.