

THE COLLECTION



QUALITY • SIMPLICITY • VERSATILITY



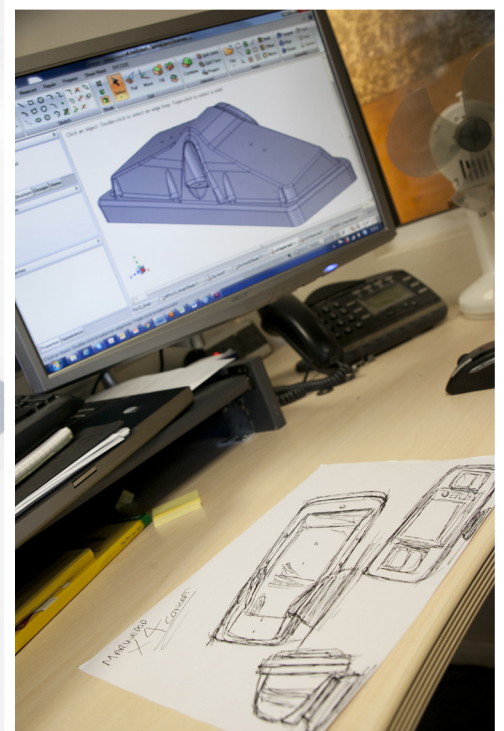


“Pride, Passion, Quality and Innovation: four things at the heart of each and every marine housing designed and manufactured by MarinePod®”

MarinePod - distinctly different.

Tim Spalton
Director - MarinePod

- 02. Welcome to MarinePod[®]
- 03. The MarinePod Difference
- 05. MarinePod Compatibility List
- The MarinePod T-Series
- 09. TBM/TBL - Tablet Mounts
- The MarinePod i-Series
- 13. i1 - single instrument pod
- 15. i2 - double instrument pod
- 17. i3 - triple instrument pod
- 19. i4 - quadruple instrument pod
- The MarinePod C-Series
- 23. C6 - for extra small plotters
- 25. C10 - for medium/large plotters
- 27. C15 - for large plotters
- The MarinePod W-Series
- 31. W7 - for small widescreen plotters
- 33. W9 - for small/medium widescreen plotters
- 35. W12 - for medium/large plotters
- The MarinePod X-Series
- 39. X6 - for extra small/small plotter and 2 instruments
- 41. X7 - for small plotter and 2 instruments
- 43. X9 - for small/medium plotter and 2 instruments
- 45. The MarinePod S-Line
- 46. Accessories
- 47. Bespoke Finishes
- 48. Custom Design



MarinePod® is proud to have been specialising in the design and manufacture of marine electronic housings in the UK for some ten years now. The MarinePod Collection represents MarinePods ambition to reach a larger global market with its unique and innovative products.



MarinePod offers the marine industry products that are designed and manufactured to the highest quality, whilst representing outstanding value for money.



A great deal of time and attention to detail has been spent in the design and development of The MarinePod Collection, which includes a number of unique MarinePod innovations; inclusion of Gore-tex® vent technology, unrivalled seal design, custom designed fasteners all highlighted by the introduction of the MarinePod exclusive S-Line option. This is an exciting new offering of a Pod with a highly polished stainless steel effect finish, never before seen in the marine industry and one which is sure to provide envy in any marina.



For simplicity the collection is broken down into five series each targetting different types of marine electronics:

- T-Series - designed to house leading tablet devices
- i-Series - designed to house marine instruments
- C-Series - designed to house larger plotters or combinations of small widescreen plotters and three instruments
- W-Series - designed to house the latest generations of widescreen plotters
- X-Series - designed to house a small widescreen plotter and two instruments

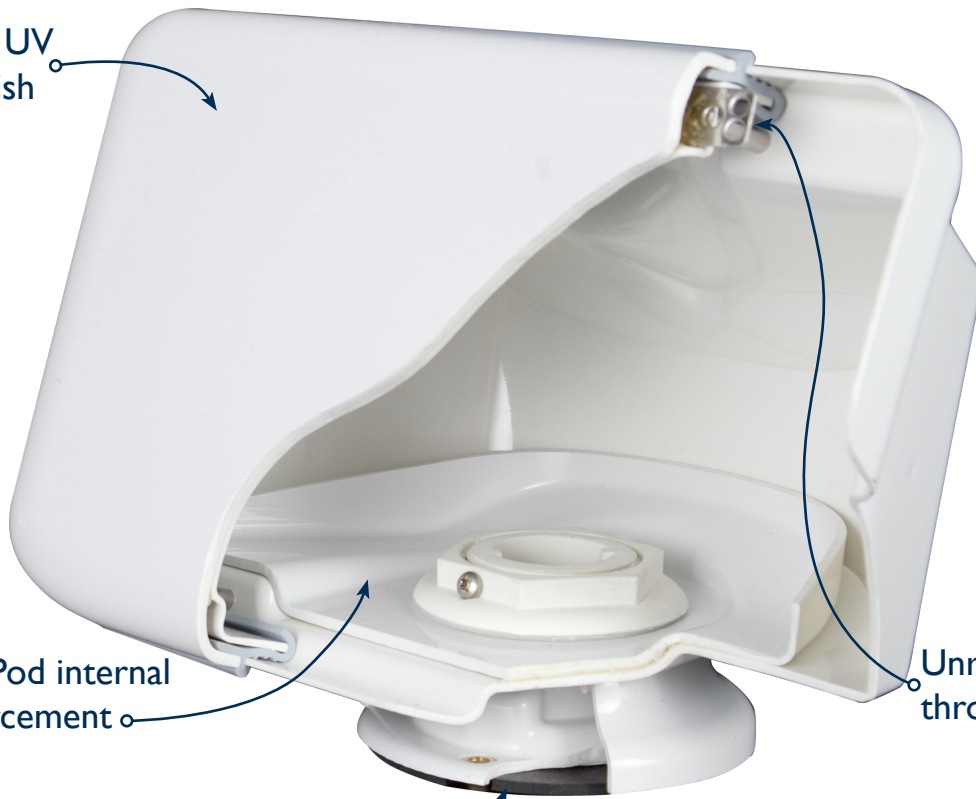


Premium UV stable finish

Tamper proof stainless steel fasteners



Supplied with fitting kit

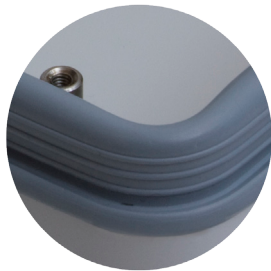


Deck Pod internal reinforcement

Unrivalled strength through design

EPDM rubber deck seal

THE DIFFERENCE



Custom seal and fastener design



Gore-Tex[®] vent technology



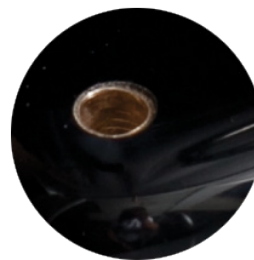
Drill guide pips to aid installation



290 degree swivel deck base



W Series deck base internal fasteners



Brass spacers in deck bases



White or Black deck base options

The Difference

Versatile helm installation options - custom fit to non-standard rail dimensions or source your own brackets and purchase a Pod only



i1, i2 and W7 horizontal rail mount

Option to install to 9 1/2" or 12" binnacle rails with one helm Pod

Unique aesthetics

Supplied with 1", 1 1/8" and 1 1/4" rubber bushes for common diameter rails. 3/4" available on request

All cables internally routed



High quality, custom designed, marine grade stainless steel mounting brackets included with all helm mount Pods



All Pods available in the exclusive S-Line finish - see page 45



Face pre-cutting service available - see page 46



Painted or different material effect finishes available - see page 47



Custom Pod design service - see page 48

Whilst every effort has been made to ensure the accuracy of the specifications and compatibility of MarinePod products, please always double check with your supplier that your electronics will fit. MarinePod operates a continuous development program and reserves the right to upgrade and modify specifications without prior warning.

Brand	MarinePod® Model Name								Plotter Model	Brand
	X9	X7	X6	W12	W9	W7	C15	C10		
B and G				•						Zeus 8
	**				•			•		Zeus 12
						•	***			Zeus Touch 7
				•						Zeus Touch 8
										Zeus Touch 12
Furuno	**	**			•		***	•		FCV-587
	**	**	*		•					FCV-627/GP-1670/F
		**				•		***		GP-1870/F
				•						MFD8
							•		•	MFD12
Garmin	***	**								GP-18xx/192xx (not BB)
	**	**							•	GPSMAP 620/640
	**	**	*			•		***		GPSMAP 527/557
		**								GPSMAP 721/751
				•					•	GPSMAP 8008
Humminbird										GPSMAP 8012
										GPSMAP 8015
				•						ONIX 8x
								•	•	ONIX 10x
										ION 10
Lowrance				•						ION 12
	**									500/600 Series
	**									800/900 Series
	**	**		•			***			1100 Series
	**	**							•	Elite-5m HD
	**	*			•		***		Elite-7m	
	**	*			•		***		HDS-5m Gen2	
			•							HDS-8m Gen2
			•							HDS-10m Gen2
	**									HDS-7m Gen2 Touch
	**						***			HDS-9m Gen2 Touch
	**									HDS-12m Gen2 Touch

Mini Tablet Mounts - For iPad Mini and similar sized tablet devices

Model Name	Mount Description
TBM-OB	Surface Mountable Tablet Mount
TBM-OB-SS	Fixed Stainless Steel Bracket Tablet Mount
TBM-OB-RAD	Ram Deck Bracket Tablet Mount
TBM-OB-RAH	Ram Helm Bracket Tablet Mount
TBM-OB-RAS	Ram Suction Bracket Tablet Mount

Large Tablet Mounts - For iPads and similar sized tablet devices

Model Name	Mount Description
TBL-OB	Surface Mountable Tablet Mount
TBL-OB-SS	Fixed Stainless Steel Bracket Tablet Mount
TBL-OB-RAD	Ram Deck Bracket Tablet Mount
TBL-OB-RAH	Ram Helm Bracket Tablet Mount
TBL-OB-RAS	Ram Suction Bracket Tablet Mount



T-Series



i-Series



C-Series

NASA Marine		Raymarine										Seiwa			Simrad					Standard Horizon				Tech marine		Vesper marine													
Ais Radar Receiver	Weatherman Radio Telex	Meteoman	Easy Navtex	Target Navtex Pro Plus V2	Dragonfly	a65/67/68	a75/77/78	c95/97	c125/127	e7/7d	e95/97	e125/127	e165	gs95	gs125	gs165	FT70	SW501i/501e	SW701i/701e	SW1101	NSE 8	NSE12	NSS7	NSS8	NSS12	CP180/180i/CPF-180i	CP300/300i/CPF-3001	CP-500	CPN700i	CPN1010i	TM5x	TM11	T50.05/55.05/7x	WatchMate 850	WatchMate Vision				
•	•	•	•	•	•	•	•	•	•	•	•	•	•	•	•	•	•	•	•	•	•	•	•	•	•	•	•	•	•	•	•	•	•	•	•	•	•		
				***					***								***	***								***													
							***				***								***								***												
				•						•							•	•								•									•	•			
								•																		•													
																											•												
				*					*								*	*								*													
				**	**	**	**	**	**	**	**	**	**	**	**	**	**	**	**	**	**	**	**	**	**	**	**	**	**	**	**	**	**	**	**	**	**	**	**
**	**	**	**	**	**	**	**	**	**	**	**	**	**	**	**	**	**	**	**	**	**	**	**	**	**	**	**	**	**	**	**	**	**	**	**	**	**	**	**

COMPATIBILITY

Marine Instrument Pods

Model Name	i1	Houses 1 standard size marine instrument display
	i2 (Helm Only)	Houses 2 standard size marine instrument displays
	i3 (Helm Only)	Houses 3 standard size marine instrument displays
	i4 (Helm Only)	Houses 4 standard size marine instrument displays

Instrument Pods are also ideal for installing various controls

- * Compatible with stated plotter and 1 standard instrument
- ** Compatible with stated plotter and 2 standard instruments
- *** Compatible with stated plotter and 3 standard instruments

All Pods are available as either Helm (H) or Deck (D) mountable options, unless otherwise stated. Deck mounts are available with either a white base (DW) or Black Base (DB).

When ordering please quote your chosen Model Name, along with the abbreviated mounting option. For example “i1-DB” for a deck mountable, black base, single instrument Pod.

Alternatively if you require a Pod with no mounting option simply quote the Model Name. For example “i1” for a single instrument Pod only. All Pods are also available in an exclusive stainless steel effect finish. Please quote “S-Line” in addition to the Pod Model Name.



W-Series



X-Series



T-Series



Developed in conjunction with leading waterproof case and bag manufacturers, OverBoard[®], The T-Series has been designed to enable users to take full advantage of the latest tablet app functionality onboard, in all weather conditions. Packages include OverBoard waterproof cases for either the iPad[®], or iPad Mini[®] and are also compatible with similar sized Android[®] devices.

T-Series

Housing to allow the easy installation of the latest tablet devices.



Manufactured from brilliant white, UV stable acrylic capped ABS, the T-Series tablet mount is both robust and durable

OverBoard waterproof iPad® and iPad Mini® case features:

- 100% waterproof iPad pouch (Class 5)
- Floats safely if dropped in water
- Guaranteed submersible to 19ft / 6m
- Transparent front allowing full use of device features
- iPad case features back window for rear camera support
- Keeps out dust, sand, dirt and water
- Includes padded back and rear hand loop
- Made of environmentally-friendly biodegradable thermoplastic polyurethane (TPU)



Pre-drilled AMPS hole pattern compatible with a wide range of commercially available marine brackets



Simple quick release latches

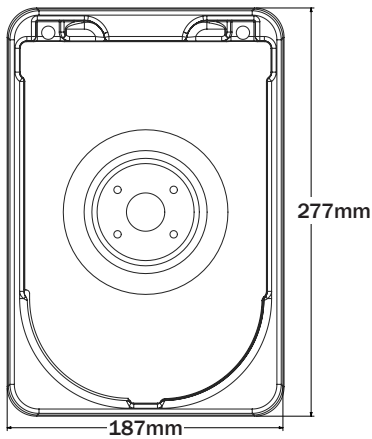


TBL has carbon fibre effect corners

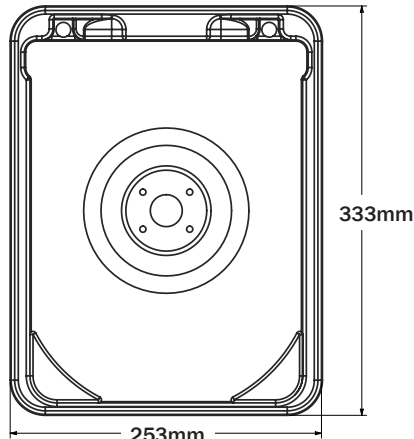
Standard Package

- Package includes MarinePod® Tablet Mount - pre-drilled with a 1" and AMPS hole pattern, iPad Mini® case (TBM) or Overboard® iPad® case (TBL) and quick release latches
- Ability to be mounted directly to any flat surface
- Alternatively install using a commercially available 1" aerial bracket or source a compatible Ram mount

TBM dimensions



TBL dimensions



TBM-OB

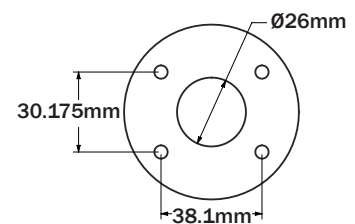
for iPad mini and similar sized tablets

TBL-OB

for iPad and similar sized tablets

Product Order Codes

Pre Drilled Holes Pattern



Standard Installation Packages

Fixed Rail Mount Package

- Package includes TBM-OB/TBL-OB detailed above
- Supplied with MarinePod stainless steel bracket
- Fixed installation
- Ability to be mounted to any 1", 1/4" or 1/8" guard rail



TBM-OB-SS TBL-OB-SS

Product Order Codes

Flexible Deck Mount Package

- Package includes TBM-OB/TBL-OB detailed above
- Supplied with MarinePod recommended Ram® deck mount
- Simple, flexible mounting to any flat surface.
- Complete freedom of movement allows screen to be positioned so as to maintain sunlight legibility
- Tablet mount easily removable thanks to the unique design of the Ram Mount



TBM-OB-RAD TBL-OB-RAD

Product Order Codes

Flexible Helm Mount Package

- Package includes TBM-OB/TBL-OB detailed above
- Supplied with MarinePod recommended Ram helm mount
- Simple, flexible mounting to any 1" or 1/4" guard rail
- Complete freedom of movement allows screen to be positioned so as to maintain sunlight legibility
- Tablet mount easily removable thanks to the unique design of the Ram Mount



TBM-OB-RAH TBL-OB-RAH

Product Order Codes

Flexible Suction Mount Package

- Package includes TBM-OB/TBL-OB detailed above
- Supplied with MarinePod recommended Ram suction mount
- Simple, flexible mounting to gloss flat surface
- Complete freedom of movement allows screen to be positioned so as to maintain sunlight legibility
- Tablet mount easily removable thanks to the suction design of the Ram Mount



TBM-OB-SCT TBL-OB-SCT

Product Order Codes

A close-up photograph of a white, curved marine pod. A polished chrome rail curves across the top left. Three screws are visible, securing the pod's structure. The surface is smooth and reflective.

Pride

From the production of our smallest custom designed fasteners at the core of every MarinePod® to the completed product, MarinePod takes pride in every detail.

MarinePod's parent company, Interform Manufacturing has a 25 year heritage in the manufacture of vacuum formed products. It is this proud heritage and vast wealth of manufacturing experience that is reflected in every MarinePod manufactured at Interform's UK factory.

MarinePod - Made in the UK

i-Series



The MarinePod[®] i-Series is a range of housings designed to allow the easy installation of one to four marine instruments on to either 9½” or 12” centre-to-centre binnacle rails, with the i1 additionally being able to be deck mounted

Housing to allow the easy installation of one standard sized marine instrument up to a maximum size of 120mm x 120mm.



i1
Pod only



i1-H
Helm mount



i1-DW
White deck base

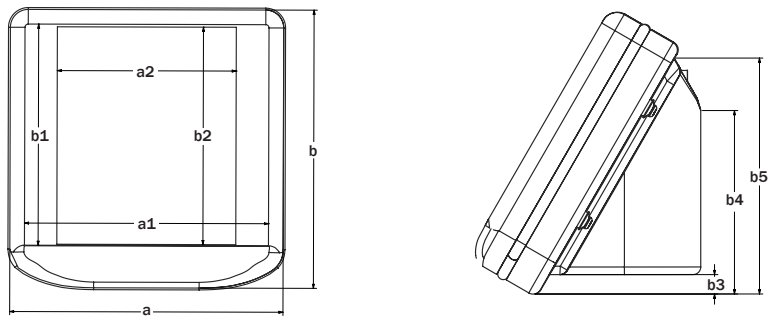


i1-DB
Black deck base

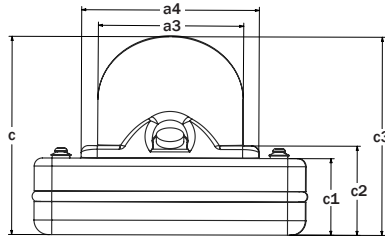


Product Order Codes

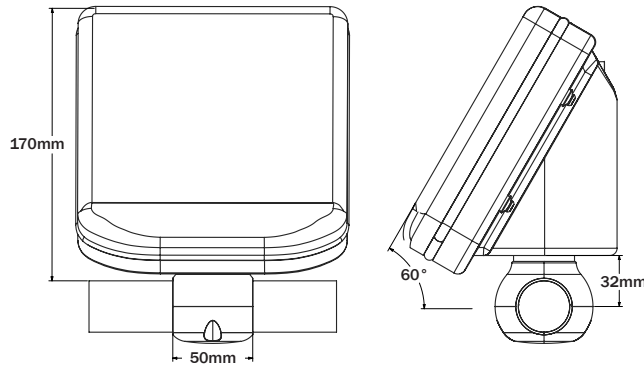
Pod Dimensions



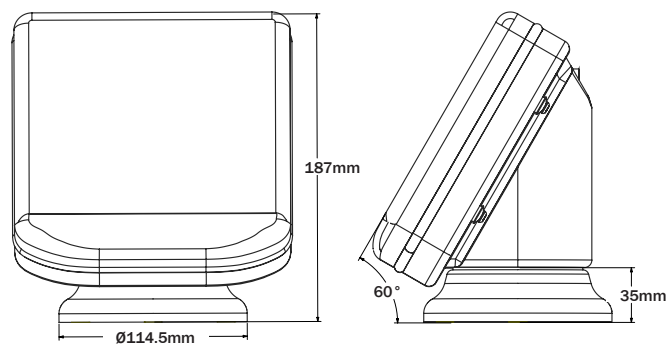
Pod Face Dimensions									
External Dimensions			Max Useable Face				Max Cut Out Area		
a	b	c	a1	b1	a2	b2			
168	171	123	150	136	110	134			
Pod Back Dimensions									
Width		Height				Depth			
a3	a4	b3	b4	b5	c1	c2	c3		
90	110	12	109	140	48	56	84		



As Installed Pod Dimensions



Horizontal or Vertical Rail



Deck Mount

Housing to allow the easy installation of two standard sized marine instruments up to a maximum size of 120mm x 120mm each.



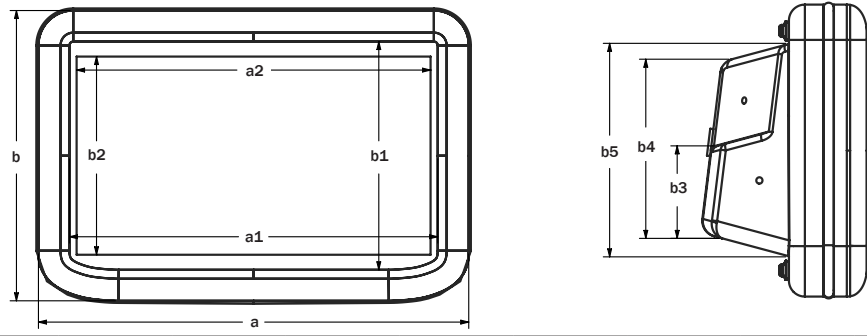
i2
Pod only



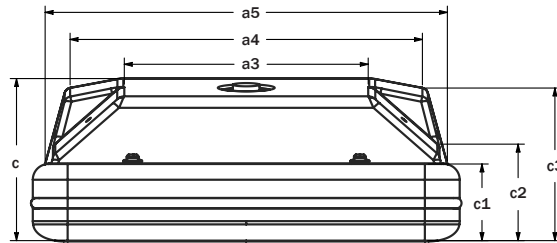
i2-H
Helm mount

Product Order Codes

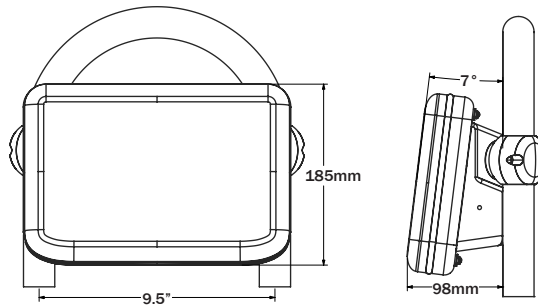
Pod Dimensions



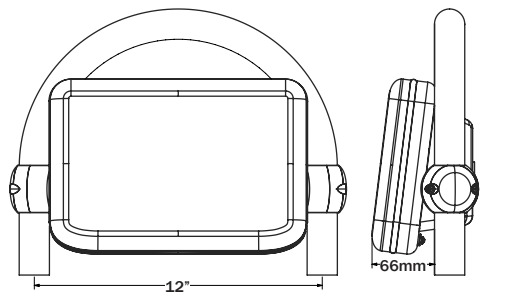
Pod Face Dimensions											
External Dimensions			Max Useable Face				Max Cut Out Area				
a	b	c	a1		b1		a2		b2		
271	183	103	232		144		223		125		
Pod Back Dimensions											
Width			Height				Depth				
a3	a4	a5	b3	b4	b5	c1		c2		c3	
155	224	255	58	112	133	48		61		97	



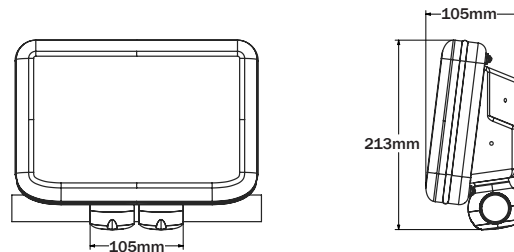
As Installed Pod Dimensions



9.5" Binnacle Rail



12" Binnacle Rail



Horizontal or Vertical Rail

Housing to allow the easy installation of three standard sized marine instruments up to a maximum size of 120mm x 120mm each.



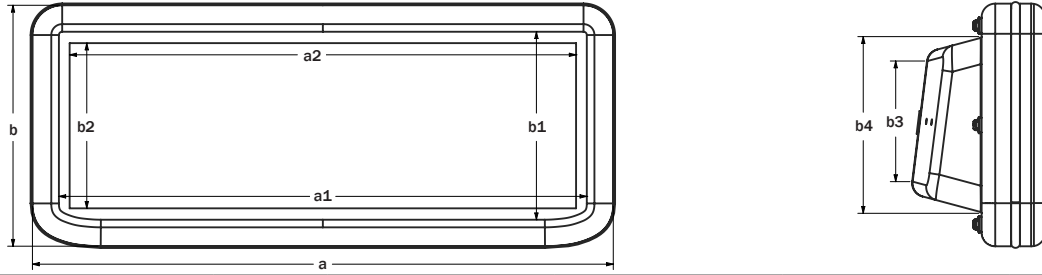
i3
Pod only



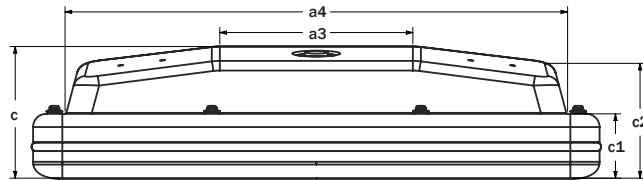
i3-H
Helm mount

Product Order Codes

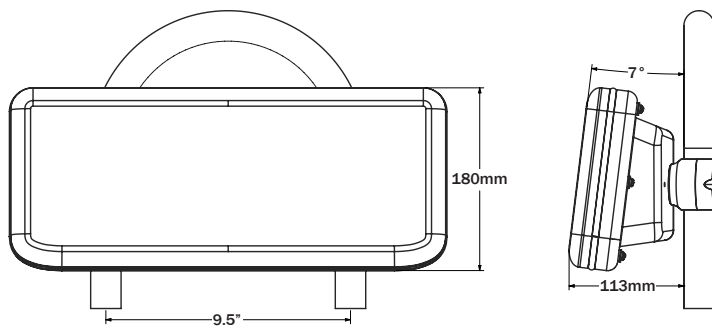
Pod Dimensions



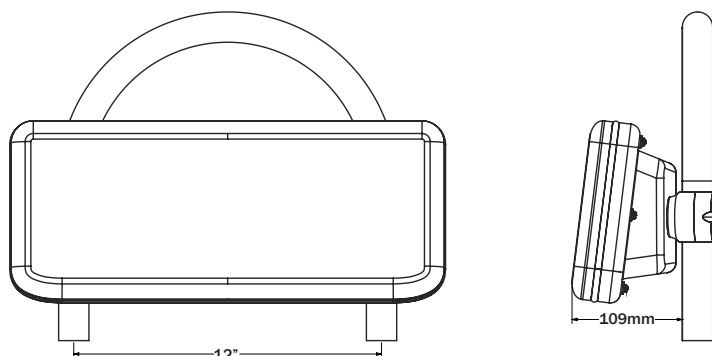
Pod Face Dimensions						
External Dimensions			Max Useable Face		Max Cut Out Area	
a	b	c	a1	b1	a2	b2
428	177	100	389	138	374	122
Pod Back Dimensions						
Width		Height		Depth		
a3	a4	b3	b4	c1	c2	
146	380	88	129	48	87	



As Installed Pod Dimensions



9.5" Binnacle Rail



12" Binnacle Rail

i4

Housing to allow the easy installation of four standard sized marine instruments up to a maximum size of 120mm x 120mm each.



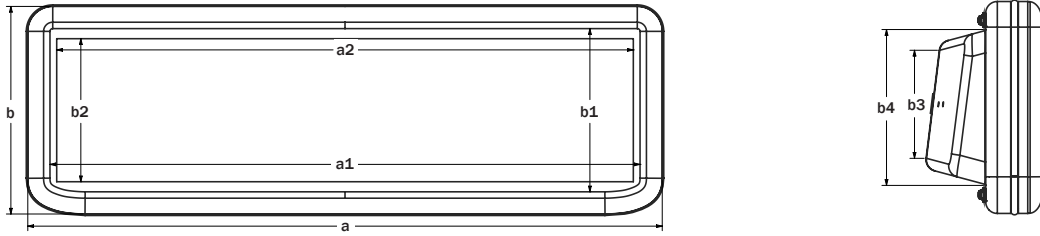
i4
Pod only



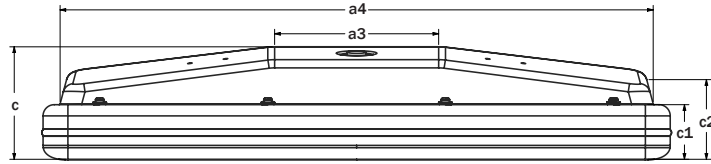
i4-H
Helm mount

Product Order Codes

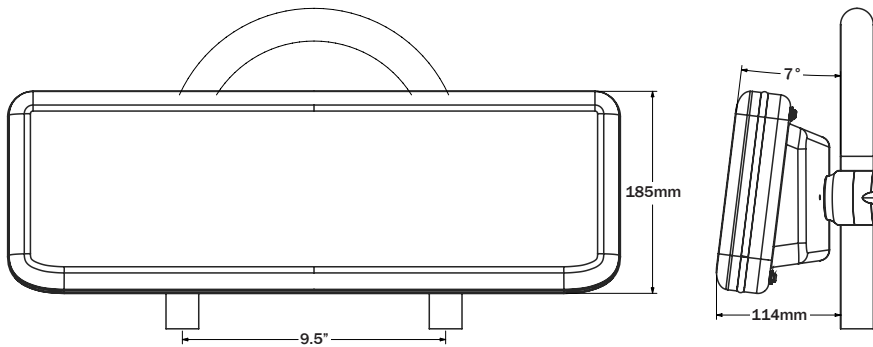
Pod Dimensions



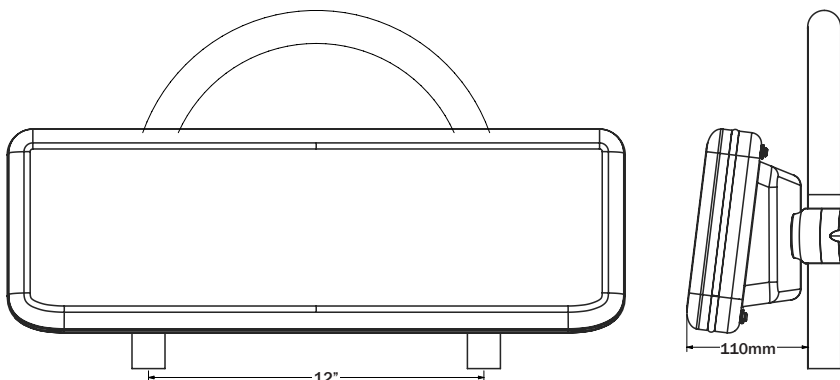
Pod Face Dimensions						
External Dimensions			Max Useable Face		Max Cut Out Area	
a	b	c	a1	b1	a2	b2
558	182	100	519	143	508	126
Pod Back Dimensions						
Width		Height		Depth		
a3	a4	b3	b4	c1	c2	
146	528	93	134	48	71	



As Installed Pod Dimensions



9.5" Binnacle Rail



12" Binnacle Rail



Passion

MarinePod® has a long term affinity with the marine world, director Tim Spalton, having used to manufacture international medal winning performance sculling boats, reknown for their outstanding craftsmanship and attention to detail.

This craftsmanship, born out of a true passion for his work is clear to see in all of MarinePod's products.

C-Series



The MarinePod® C-Series is a range of housings designed to allow the easy installation of the more traditional 4:3 aspect ratio screen sized chart plotters. From 5" screen size to 15", or a combination of small/medium sized widescreen plotters and three instruments on to either 9½" or 12" centre-to-centre binnacle rails or onto any flat surface by way of the swivel deck mount.

Fits extra small chart plotters up to 5" screen size, standard instruments or thruster controls.



C6
Pod only



C6-H
Helm mount



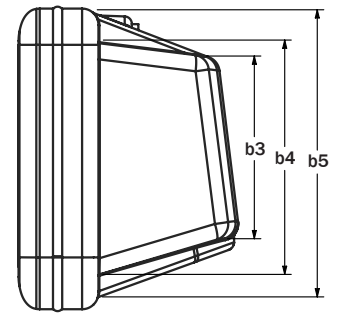
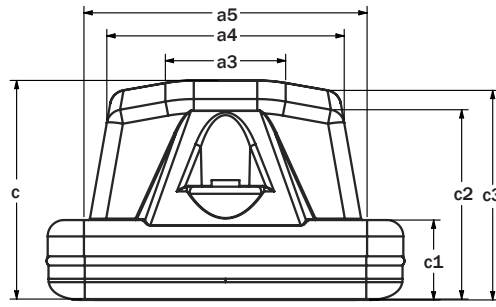
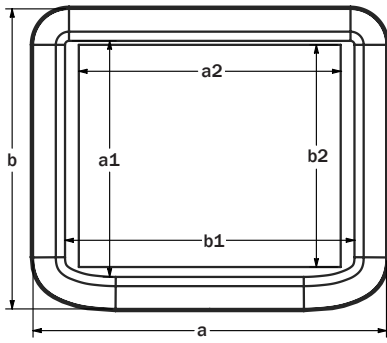
C6-DW
White deck base



C6-DB
Black deck base

Product Order Codes

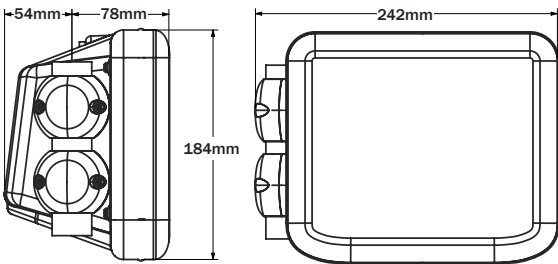
Pod Dimensions



Pod Face Dimensions											
External Dimensions			Max Useable Face			Max Cut Out Area					
a	b	c	a1	b1		a2	b2				
216	183	134	176	155		160	135				
Pod Back Dimensions											
Width			Height			Depth					
a3	a4	a5	b3	b4	b5	c1	c2	c3			
74	145	173	112	143	175	48	116	128			

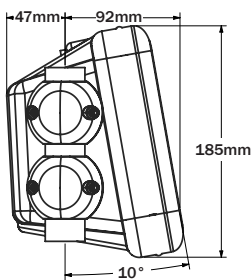
As Installed Pod Dimensions

Pod Plotter Compatibility

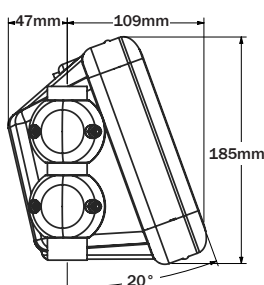
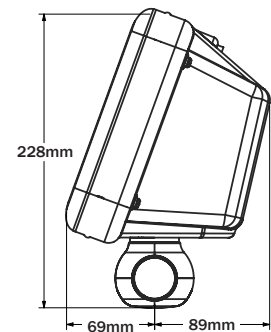
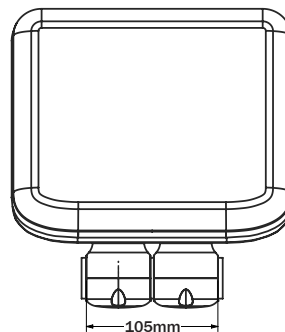


Vertical Rail Position 1

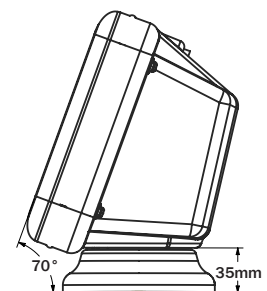
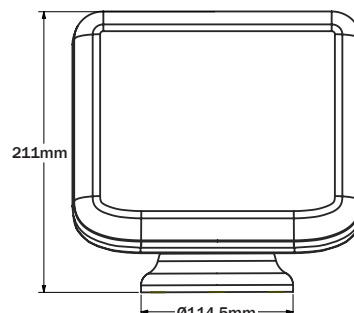
Brand	Model Number
B&G	20/20 HV (install in landscape position)
Garmin	GPSMAP45I GPSMAP52I/527/551/556/557 GPSMAP620
Lowrance	Elite-5m HD
Nasa Marine	AIS Radar Reciever Weatherman Radio Telex Meteoman Easy Navtex
RAYMARINE	A65/A67/A68 Dragonfly



Vertical Rail Position 2



Vertical Rail Position 3



Deck Mount

C10

Housing to allow the easy installation of medium, 4:3 aspect ratio screen sized chart plotters or a combination of small sized widescreen plotters and three instruments.



C10
Pod only



C10-H
Helm mount



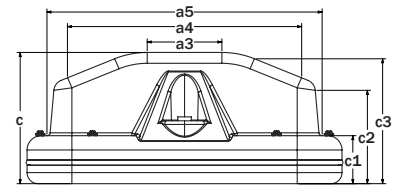
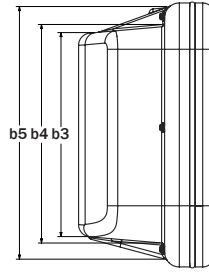
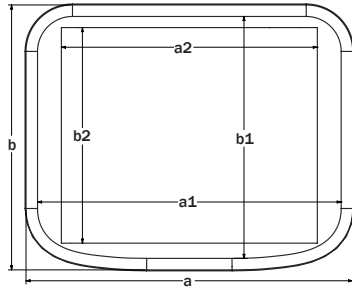
C10-DW
White deck base



C10-DB
Black deck base

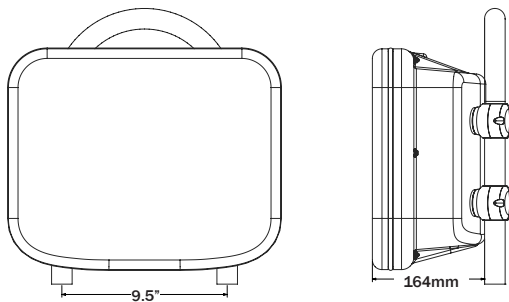
Product Order Codes

Pod Dimensions

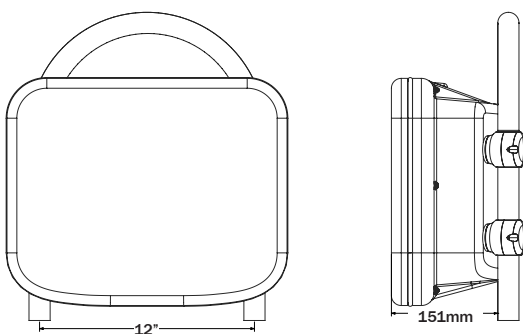


Pod Face Dimensions										
External Dimensions			Max Useable Face				Max Cut Out Area			
a	b	c	a1	b1	a2	b2				
397	322	165	369	294	311	262				
Pod Back Dimensions										
Width			Height				Depth			
a3	a4	a5	b3	b4	b5	c1	c2	c3		
94	295	347	249	266	249	60	116	156		

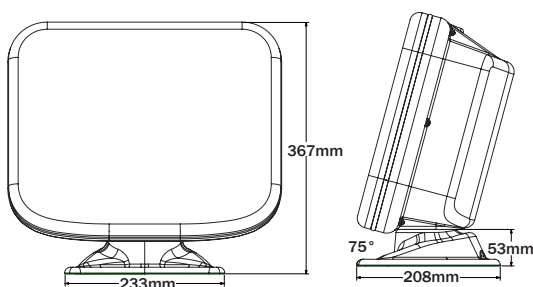
As Installed Pod Dimensions



9.5" Binnacle Rail



12" Binnacle Rail



Deck Mount

Pod Plotter Compatibility

Brand	Model Number
B&G	Zeus Z12/Zeus Touch 12
Furuno	FCV-295/FCV-587 GP-18xx/19xx (not BB)
Garmin	GPSMAP4008/6008 GPSMAP4010 GPSMAP5012/7012 GPSMAP 8012
Humminbird	Onix 10x/ION 10
Lowrance	HDS-10/10m HDS-12m Gen2 Touch
RAYMARINE	C70/ C120/G120 e165 GS125 GS165
SEIWA	SW1101
SIMRAD	NX40 NSO D/110 MO12 NSS12/NSE12
Standard Horizon	CP-500
Techmarine	T15.07/ T15.08 S50.05-S55.05 T55.09-T55.10 T59.09 TM11
The MarinePod C10 is compatible with W7 compatible widescreen plotters and three standard marine instruments - up to an individual size of 110mm x 110mm	

C15

Housing to allow the easy installation of large, 4:3 aspect ratio screen sized chart plotters or a combination of small/medium sized widescreen plotters and three instruments.



C15
Pod only



C15-H
Helm mount



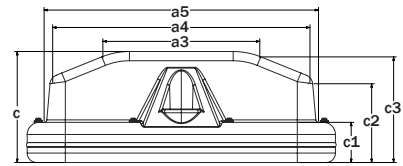
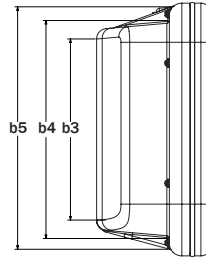
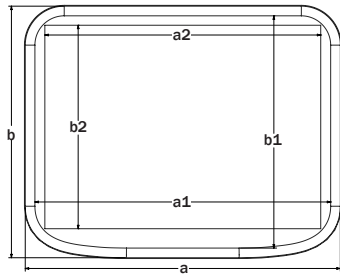
C15-DW
White deck base



C15-DB
Black deck base

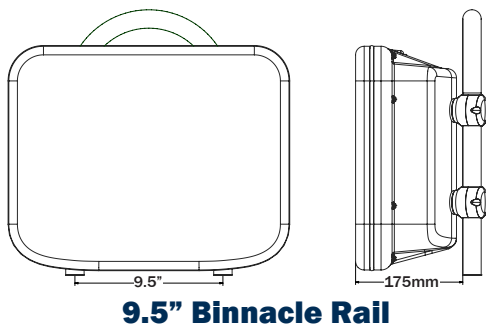
Product Order Codes

Pod Dimensions

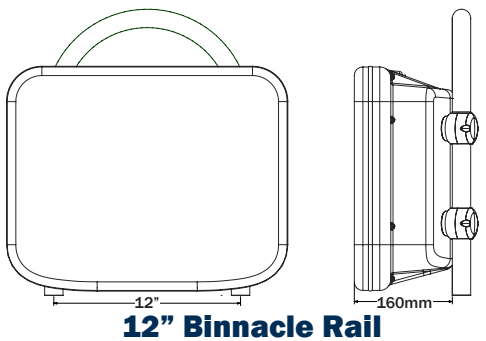


Pod Face Dimensions										
External Dimensions			Max Useable Face				Max Cut Out Area			
a	b	c	a1	b1	a2	b2				
456	364	165	428	336	400	295				
Pod Back Dimensions										
Width			Height				Depth			
a3	a4	a5	b3	b4	b5	c1	c2	c3		
232	381	406	260	314	350	60	116	156		

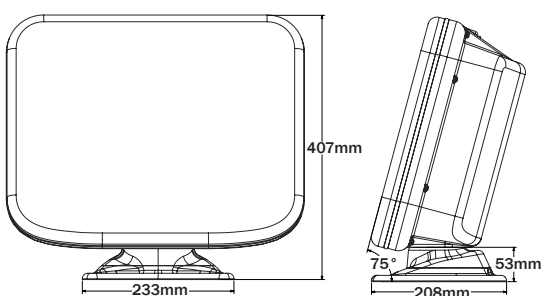
As Installed Pod Dimensions



9.5" Binnacle Rail



12" Binnacle Rail



Deck Mount

Pod Plotter Compatibility

Brand	Model Number
Furuno	MU150HD FCV1150 MFD12 DCU12 CH-250/270/300 FR8062/FR8122/FR8252
Garmin	GPSMAP4012/6012 GPSMAP5015/7015 GPSMAP8015
Geonav and Epak	GIS10/GIS12 G10/G12
JRC	JFE-680
KODEN	CVG200 CVS841 CVS1410/1410hs ESR140MK2 ESR160180
Raymarine	C/E120 widescreen C/E140 widescreen GI50
SEIWA	Seawave
Simrad	MO15 NSO D/15 NX45
Standard Horizon	CPV550 CP590
The MarinePod C15 is compatible with W9 compatible widescreen plotters and three standard marine instruments - up to an individual size of 110mm x 110mm	



Quality

From the highest quality premium plastics and marine grade stainless steel, seen in its rail brackets, to the custom designed and fabricated components, you can rest assured your MarinePod will be a lasting investment that will match the quality and craftsmanship of your vessel.

W-Series



The MarinePod® W-Series is a range of housings designed to complement the latest advancements in widescreen chart plotter design, technology and aesthetics. Three models are available to house small to medium sized plotters on to either 9½” or 12” centre-to-centre binnacle rails or on to any flat surface by way of the swivel deck mount.

Housing to allow the easy installation of small widescreen plotters up to 7" screen size.



W7
Pod only

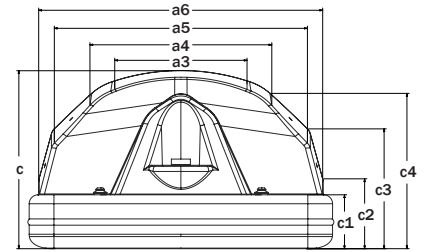
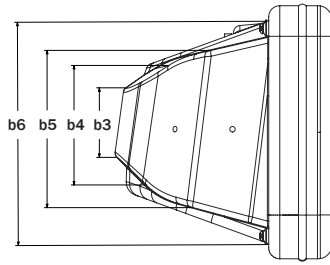
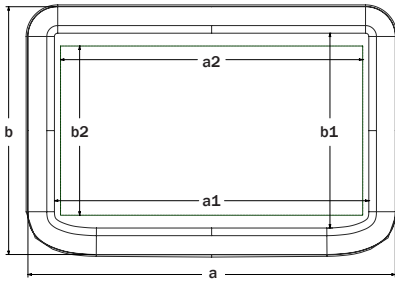
W7-H
Helm mount

W7-DW
White deck base

W7-DB
Black deck base

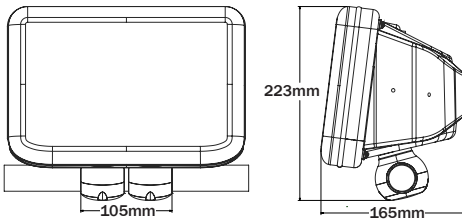
Product Order Codes

Pod Dimensions

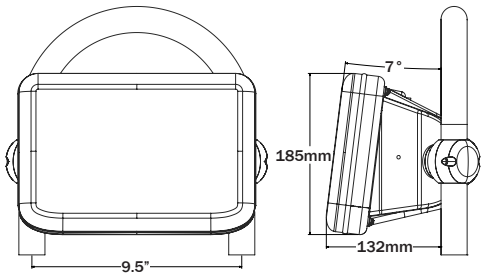


Pod Face Dimensions											
External Dimensions			Max Useable Face				Max Cut Out Area				
a	b	c	a1	b1	a2	b2					
271	183	160	233	145	223	128	Pod Back Dimensions				
Width				Height				Depth			
a3	a4	a5	a6	b3	b4	b5	b6	c1	c2	c3	c4
118	160	232	254	44	77	113	138	47	62	105	139

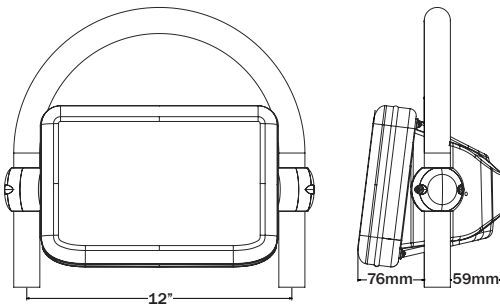
As Installed Pod Dimensions



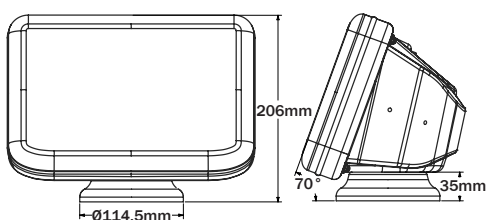
Horizontal Rail



9.5" Binnacle Rail



12" Binnacle Rail



Deck Mount

Pod Plotter Compatibility

Brand	Model Number
B&G	H3000 FFD H3000 GFD/GPD 20/20HV
Furuno	Navpilot 700 GP33/37 SC50/110 GPI870/F
Garmin	GPSMAP620 GPSMAP451/S/551/S/556/S GPSMAP750/S/721/751
Lowrance	HDS-5/5x/5m/5m Gen2 Elite-7m
NASA Marine	Target Navtex Pro Plus V2
Nexus	XL30 NX2 MultiXL/XL20 Multi Control
Raymarine	a75/77/78 e7/D A50/D
Seiwa	FT70 SW501i/501e
Techmarine	S50.02 - S55.02
Standard Horizon	CP/F 190i/F/390i
Vesper Marine	AIS watchmate 650/750/850 Watchmate Vision



Housing to allow the easy installation of small/medium widescreen plotters up to 9" screen size.



W9
Pod only

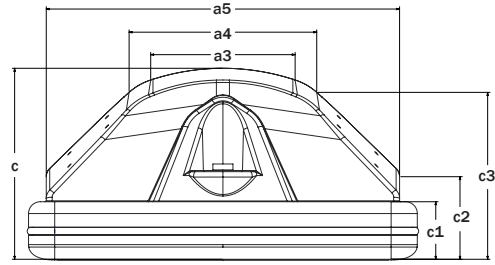
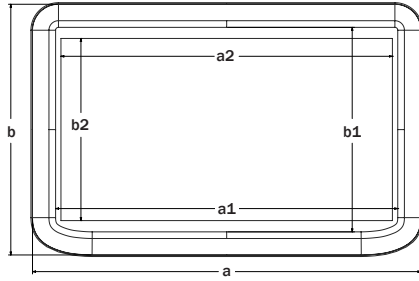
W9-H
Helm mount

W9-DW
White deck base

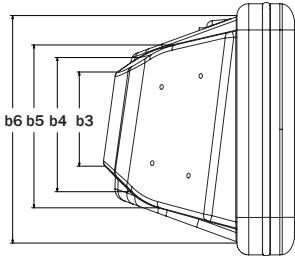
W9-DB
Black deck base

Product Order Codes

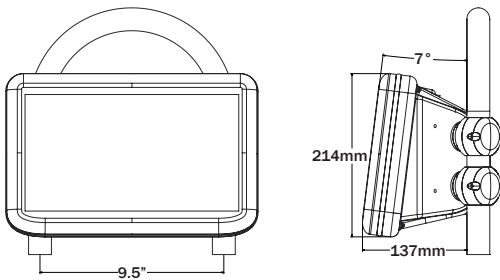
Pod Dimensions



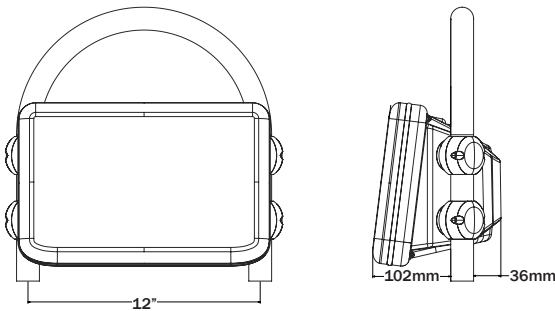
Pod Face Dimensions											
External Dimensions			Max Useable Face				Max Cut Out Area				
a	b	c	a1	b1	a2	b2					
328	212	160	290	174	280	158	Pod Back Dimensions				
Width			Height				Depth				
a3	a4	a5	b3	b4	b5	b6	c1	c2	c3		
122	161	299	79	113	137	192	48	69	141		



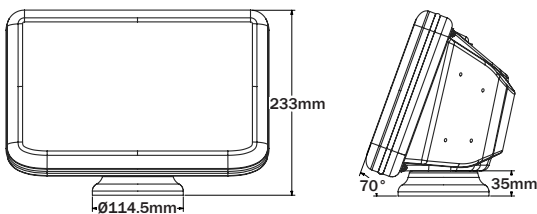
As Installed Pod Dimensions



9.5" Binnacle Rail



12" Binnacle Rail



Deck Mount

Pod Plotter Compatibility

Brand	Model Number
B&G	30/30HV Zeus Touch 7
Furuno	FCV-627/GP-1670/F
Humminbird	800/900 Series
Lowrance	HDS-7/7M/7m Gen-2 Touch HDS-9m Gen2 Touch
Raymarine	ST70 Plus A57D A70/70D A60/65 e/c95/97
Seiwa	SW701x/cx
Simrad	NSS7
Standard Horizon	CP/F390i CPN700i
Techmarine	T50.05 - T55.05/7x TM5x



Housing to allow the easy installation of medium widescreen plotters up to 12" screen size.



W12
Pod only



W12-H
Helm mount



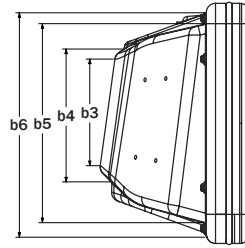
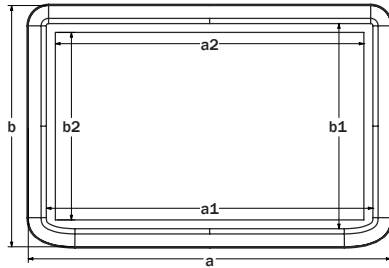
W12-DW
White deck base



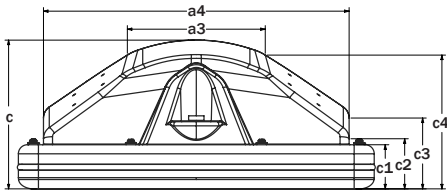
W12-DB
Black deck base

Product Order Codes

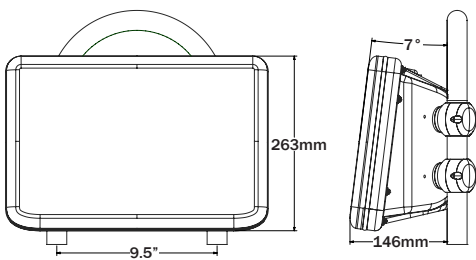
Pod Dimensions



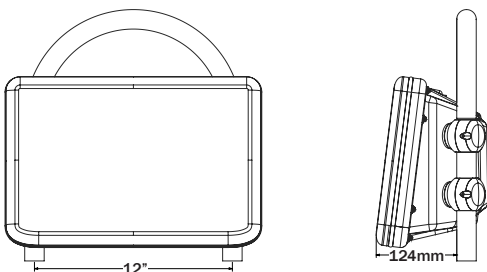
Pod Face Dimensions											
External Dimensions			Max Useable Face				Max Cut Out Area				
a	b	c	a1		b1		a2		b2		
392	261	164	354		222		338		205		
Pod Back Dimensions											
Width			Height				Depth				
a3		a5		b3	b4	b5	b6	c1	c2	c3	c4
152		337		116	144	216	244	47	55	78	147



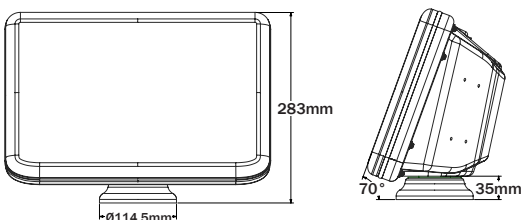
As Installed Pod Dimensions



9.5" Binnacle Rail



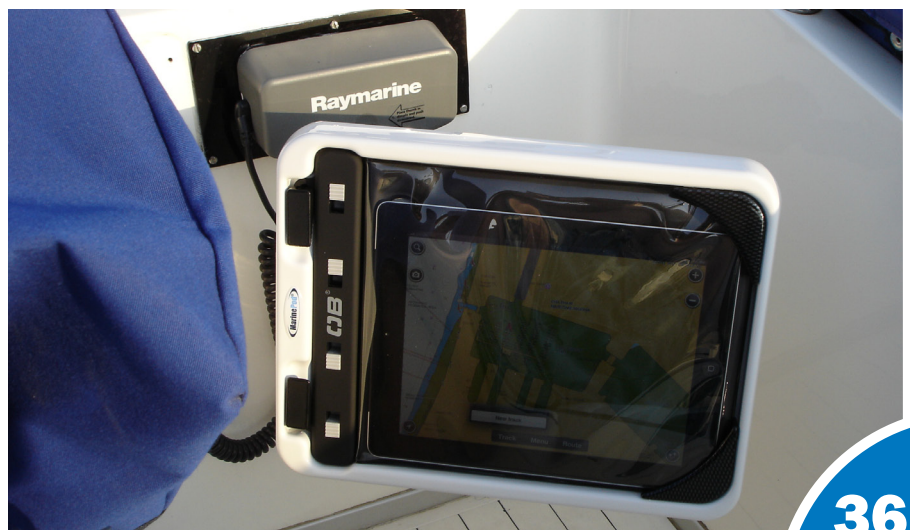
12" Binnacle Rail



Deck Mount

Pod Plotter Compatibility

Brand	Model Number
B&G	Zeus Z8/Touch 8 40/40HV
Furuno	MFD8
Garmin	GPSMAP4008 GPSMAP5008 GPSMAP6008 GPSMAP8008
Humminbird	ONIX 8 500/600 Series I 100 Series
Lowrance	HDS-8/8m
Raymarine	e/c 125/127 C80 E/C90 widescreen
Simrad	NSE8 NSS8
Standard Horizon	CPN1010i CPV350





Innovation

Since the manufacture of our first Pod some ten years ago, MarinePod® has been at the forefront of marine housing design and innovation.

Initially introducing its unique seal design and material recommendations to Lewmar®, MarinePod is building on these now industry standards, with the inclusion of Gore-tex Vent® technology, updated components, the beautifully simple deck base and rounded off with the ability to add custom finishes.

MarinePod is set to continue its tradition of thinking outside of the box.

X-Series



MarinePod®'s premium X-Series encompasses all of the innovative design solutions of The MarinePod Collection and takes full advantage of the compact size of the latest widescreen chart plotters, along with the versatility offered by modern instrumentation. Allowing all necessary navigation and instrumentation displays to be installed right at your fingertips, all in a highly aesthetically appealing product that really stands out from the crowd.

X6

Housing to allow the easy installation of one small widescreen chart plotter up to 7" screen size and one standard sized marine instrument, or one extra small plotter and two standard sized marine instruments.



X6
Pod only

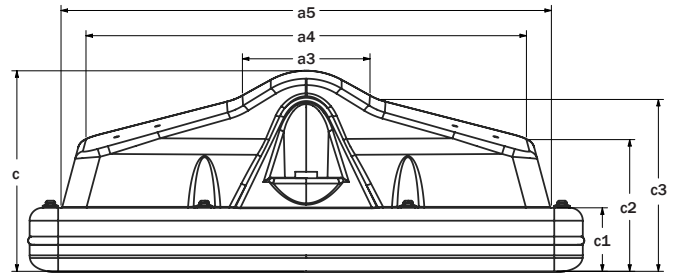
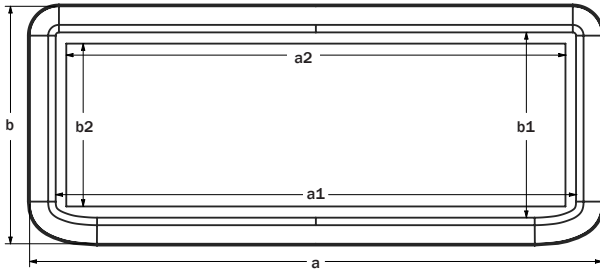
X6-H
Helm mount

X6-DW
White deck base

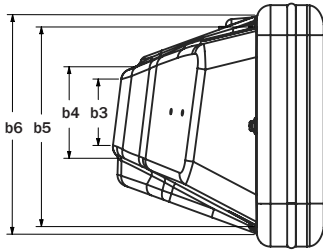
X6-DB
Black deck base

Product Order Codes

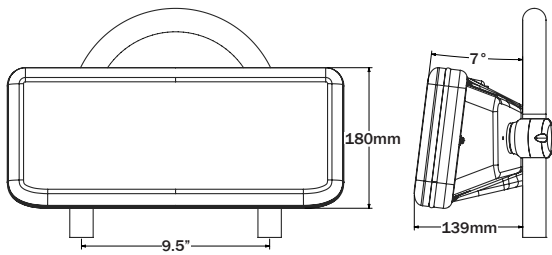
Pod Dimensions



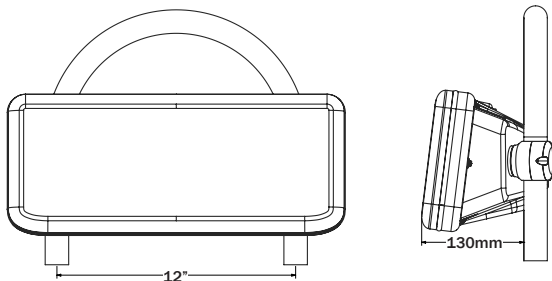
Pod Face Dimensions											
External Dimensions			Max Useable Face				Max Cut Out Area				
a	b	c	a1	b1	a2	b2					
428	177	155	389	138	374	125					
Pod Back Dimensions											
Width				Height				Depth			
a3	a4	a5	b3	b4	b5	b6	c1	c2	c3		
99	341	380	49	67	147	162	48	102	133		



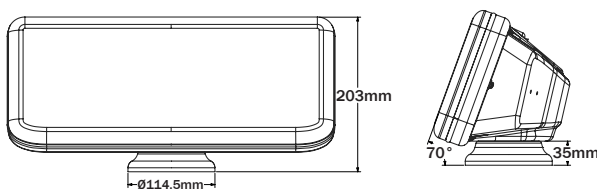
As Installed Pod Dimensions



9.5" Binnacle Rail



12" Binnacle Rail



Deck Mount

Pod Plotter Compatibility

Brand	Model Number
B&G	H3000 FFD H3000 GFD/GPD 20/20HV
Furuno	Navipilot 700 GP33/37 SC50/110 GPI870/F
Garmin	GPSMAP620 GPSMAP451/S/551/S/556/S GPSMAP750/S/721/751
Lowrance	HDS-5/5x/5m/5m Gen2 Elite-7m
NASA Marine	Target Navtex Pro Plus V2
Nexus	XL30 NX2 MultiXL/XL20 Multi Control
Raymarine	a75/77/78 e7/D A50/D A65/67/Dragonfly (and two instruments)
Seiwa	FT70 SW501i/501e
Techmarine	S50.02 - S55.02
Standard Horizon	CP/F 190i/F/390i
Vesper Marine	AIS watchmate 650/750/850 Watchmate Vision
The MarinePod X6 is compatible with the above plotters and one standard marine instruments - up to an individual size of 110mm x 110mm	

Housing to allow the easy installation of one small widescreen chart plotter up to 7" screen size and two standard sized marine instrument



X7
Pod only

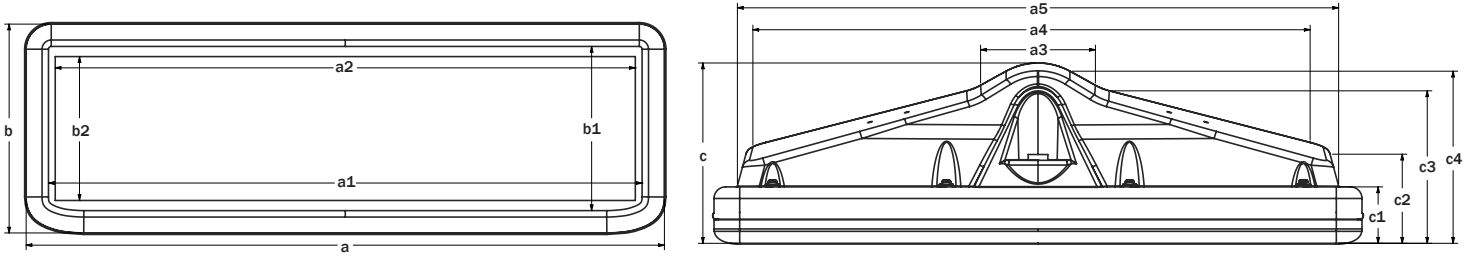
X7-H
Helm mount

X7-DW
White deck base

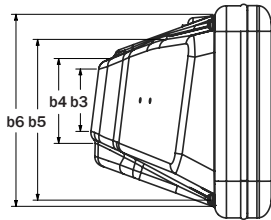
X7-DB
Black deck base

Product Order Codes

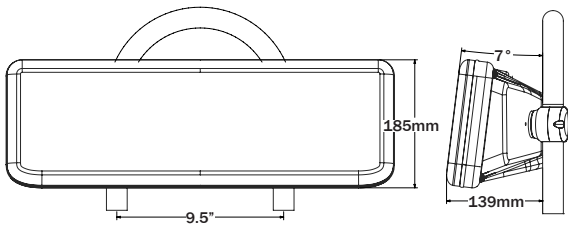
Pod Dimensions



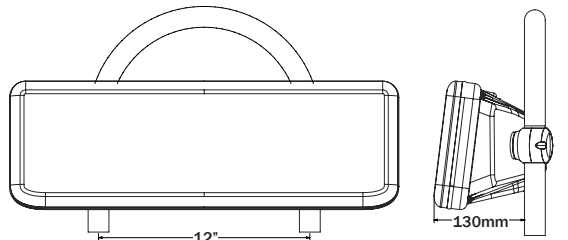
Pod Face Dimensions											
External Dimensions			Max Useable Face				Max Cut Out Area				
a	b	c	a1	b1	a2	b2					
558	182	155	519	143	508	125					
Pod Back Dimensions											
Width				Height				Depth			
a3	a4	a5	b3	b4	b5	b6	c1	c2	c3	c4	
99	480	518	53	73	138	165	48	76	131	148	



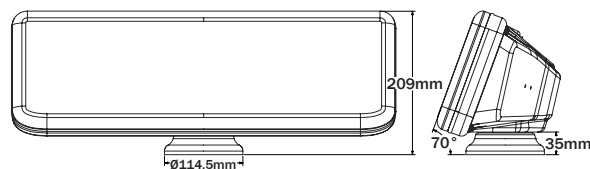
As Installed Pod Dimensions



9.5" Binnacle Rail



12" Binnacle Rail



Deck Mount

Pod Plotter Compatibility

Brand	Model Number
B&G	H3000 FFD H3000 GFD/GPD 20/20HV
Furuno	Navpilot 700 GP33/37 SC50/110 GPI870/F
Garmin	GPSMAP620 GPSMAP451/S/551/S/556/S GPSMAP750/S/721/751
Lowrance	HDS-5/5x/5m/5m Gen2 Elite-7m
NASA Marine	Target Navtex Pro Plus V2
Nexus	XL30 NX2 MultiXL/XL20 Multi Control
Raymarine	a75/77/78 e7/D A50/D
Seiwa	FT70 SW501i/501e
Techmarine	S50.02 - S55.02
Standard Horizon	CP/F 190i/F/390i
Vesper Marine	AIS watchmate 650/750/850 Watchmate Vision
The MarinePod X7 is compatible with the above plotters and two standard marine instruments - up to an individual size of 120mm x 120mm	

Housing to allow the easy installation of one small/ medium sized widescreen chart plotter and two standard sized marine instruments



X9
Pod only



X9-H
Helm mount



X9-DW
White deck base

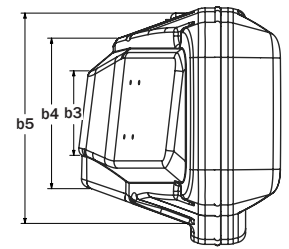
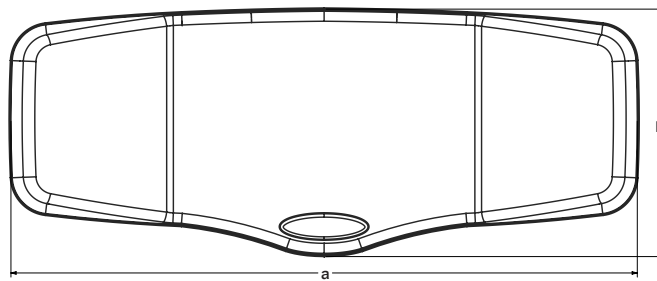


X9-DB
Black deck base

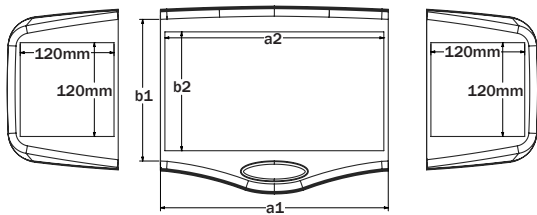
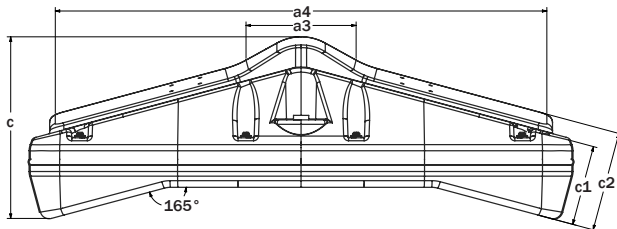


Product Order Codes

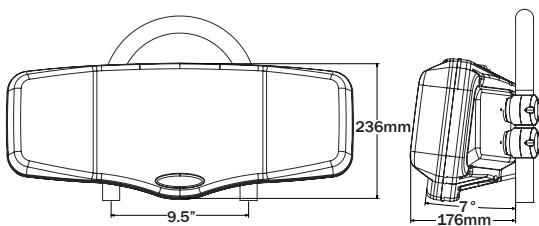
Pod Dimensions



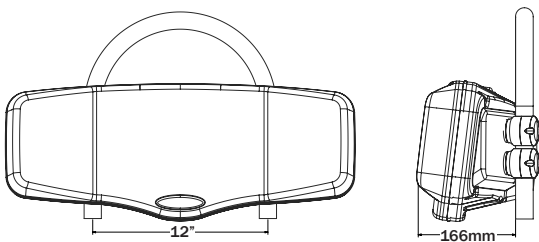
Pod Face Dimensions							
External Dimensions			Max Useable Plotter Face		Max Plotter Cut Out Area		
a	b	c	a1	b1	a2	b2	
605	239	200	291	184	280	152	
Pod Back Dimensions							
Width		Height			Depth		
a3	a4	b3	b4	b5	c1		c2
122	548	85	151	211	86		108



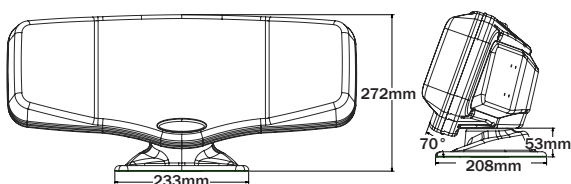
As Installed Pod Dimensions



9.5" Binnacle Rail



12" Binnacle Rail



Deck Mount

Pod Plotter Compatibility

Brand	Model Number
B&G	H3000 FFD/H3000 GFD/GPD 20/20HV/30/30HV Zeus Touch 7
Furuno	Navpilot 700 GP33/37 SC50/110 GP1870/F FCV-627/GP-1670/F
Garmin	GPSMAP620 GPSMAP451/S/551/S/556/S GPSMAP750/S/721/751
Humminbird	800/900 Series
Lowrance	HDS-5/5x/5m/5m Gen2 Elite-7m/HDS-7/7M/7m Gen-2 Touch HDS-9m Gen2 Touch
NASA Marine	Target Navtex Pro Plus V2
Nexus	XL30 NX2 MultiXL/XL20 Multi Control
Raymarine	a75/77/78 e7/D A50/D ST70 Plus A57D A70/70D A60/65 e/c95/97
Seiwa	FT70 SW501i/501e SW701x/cx
Simrad	NSS7
Techmarine	S50.02 - S55.02
Standard Horizon	CP/F 190i/F/390i CP/F390i CPN700i
Vesper Marine	AIS watchmate 650/750/850 Watchmate Vision
Techmarine	T50.05 - T55.05/7x TM5x
The MarinePod X9 is compatible with the above plotters and two standard marine instruments - up to an individual size of 120mm x 120mm	

The S-Line MarinePod[®] is being introduced for the first time in The MarinePod Collection and looks set to revolutionise the marine instrument housing market.

This premium option is a finish applied to the pod during the manufacturing process and gives the effect of highly polished stainless steel, allowing the pod to blend seamlessly with the craftsmanship seen on board.

Fully UV stable and manufactured to order on any MarinePod product, the S-Line gives the possibility of having a truly exclusive enhancement to your vessel.



MP-SS

MarinePod®'s custom designed mounting bracket is also available individually.

The retail package includes a male 1" x 14 TPI marine thread made from 316 stainless steel and gives the ability of mounting all manners of GPS/radio antennas on to common diameter rail sizes.



*Please note 3/4" rubber bush available on request

Face Pre-cutting

MarinePod® also have a Pod face pre-cutting service available, saving time and money during installation.

Please contact us for further information.

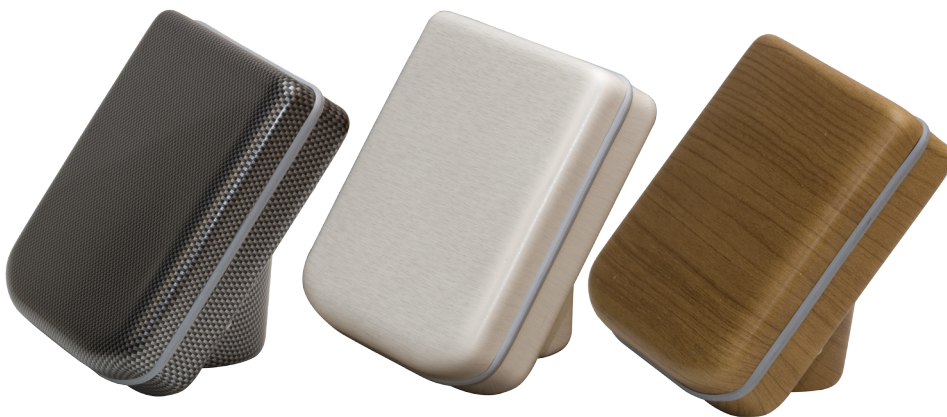


MarinePod® has the unique ability to offer customers the option of having bespoke finishes applied to their chosen Pod.

Individual MarinePods can be painted to any colour specification that is requested. If there are high volumes of Pods being ordered the plastic can be coloured to the specification of your choice at the point of manufacture.

Alternatively a finish can be applied which gives the appearance of leather, carbon fibre, wood, metal - even a marble or granite finish if you are installing a pod anywhere near the galley!

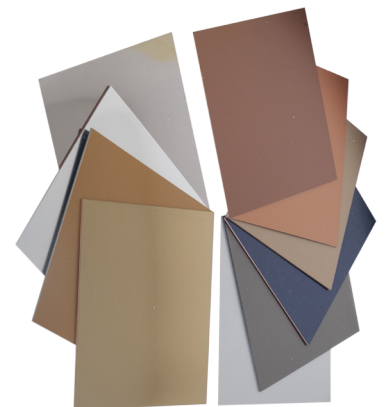
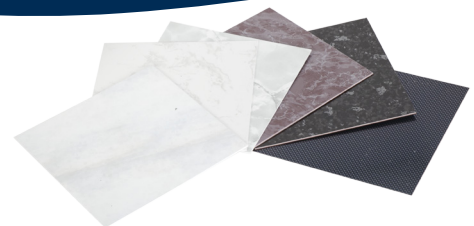
MarinePod will do all it can to ensure you get the Pod that meets your exact requirements.



Carbon Fibre Weave Effect

Brushed Aluminium Effect

Teak Effect



Available foil finishes

Leather Effect - Please call for further information

Carbon Fibre Effect

- Carbon Fibre Weave. Reference - NF01
- Carbon Fibre. Reference- PFLT 1151

Wood Effect

- Teak. Reference - TAM 500217ST-SD-SR
- Golden Oak HR. Reference - TYP 721306 T4 HR
- Rosewood HR. Reference - TUP 721307 T4 HR
- Black Ash. Reference - DB825
- Italian Walnut. Reference - TDS 500152 T1 FL-SR
- Ireland Cherry. Reference - EB 4211 AC
- Light Beech. Reference - PFS 54023SD SR
- Kingstown Cherry. Reference - EB 3213 AC
- Transparent Oak. Reference - SBM 50018

Metal Effect

- Copper Metallic. Reference- Y802800
- Bronze Metallic. Reference - Y802801
- Champagne Metallic. Reference - Y802803
- Metallic Blue. Reference - 778
- Grey Metallic. Reference - Y802802
- Brushed Aluminium. Reference - BM 82700
- Brushed Silver. Reference - DC324
- Gold. Reference - C802530

Marble/Granite Effect

- Silver Spotted Granite. Reference - PFLT 1319
- Marble Grey. Reference - DMDK
- White/Grey Marble. Reference - PF 366
- Marble Ice Blue. Reference - PFLT 1153
- Skeleton Marble. Reference - KURZ
- Marble Brown Transparent. Reference - DB901
- Granite Black Silver. Reference - DC320
- Black Marble. Reference - PFLT1311



*Please note price on application and an extended delivery time frame will be incurred. Some finishes are suitable for interior use only. Please call for further information

A number of companies have taken full advantage of MarinePod®'s knowledge and experience to design and manufacture products to their exact specification.

Clients have come from a wide range of industries, which include an F1 racing team and various marine clients, such as, Digital Yacht®, Lewmar® and most recently OverBoard®

OverBoard, the leaders in waterproof bags and cases, manufacture a hugely popular hand held iPad case. This is used to protect iPads from the elements, but had no way of installing it hands free. MarinePod developed the T-Series to easily and securely install the iPad case and the iPad Mini case also, anywhere on board.

If this service could be of help to you please do not hesitate to get in touch with our design team to discuss your requirements.



F1 Driver Monitor Pod



Custom Pod for Digital Yacht®



Concept Pod for Tacktick Instruments



T-Series for OverBoard

All custom pods shown, with the exception of the F1 monitor pod, are available to order, please contact us for further information



Contact us for further information

Tel: +44 (0) 1494 532 335

Fax: +44 (0) 1494 532 355

Email: Sales@marinepod.co.uk

Web: www.marinepod.co.uk

Dealer Stamp:

Whilst every effort has been made to ensure the accuracy of the specifications and compatibility of MarinePod® products, the product may vary slightly from that shown.

MarinePod/Interform Marine operate a continuous product development programme and reserve the right to upgrade and modify specifications without prior warning.

All marine instrumentation and displays are for illustrative purposes only and are not included in any retail packages.

OverBoard & OB are trademarks or registered trademarks of Overboard Accessories Ltd.
iPad and iPad Mini are trademarks or registered trademarks of Apple Inc.
Android is a trademark or registered trademark of Google Inc.
Gore-tex is a trademark or registered trademark of W. L. Gore & Associates.
Digital Yacht is a trademark or registered trademark of Marine Electronic Services Ltd.
Tacktick is a trademark or registered trademark of Tacktick Ltd.
Lewmar is a trademark or registered trademark of Lewmar Marine Ltd.

MarinePod is a registered trademark of Interform Marine, a trading name of Interform Manufacturing. Registered in England, number 1836897
The registered address for the company is 25 Hart Street, Henley on Thames, Oxon, RG9 2HR

Made in the UK



is a registered trademark of



Product photos by Middleton Media
Brochure by PGT Design