

# OPERATOR'S MANUAL



## **Disclaimer**

The interceptor units are also steering equipment and it is the sole responsibility of the navigator-operator to ensure that, at any point, any problem that will alter the boat's course, rising from malfunction of interceptors, should be dealt immediately by the operator. At no circumstances, fault of our interceptor equipment leading to any kind of accident, creates liability for the manufacturer.

## **Trademark Notice**

Hydrotab is a registered trademark of Olympic Engineering Ltd, Greece. All other trademarks, trade names or company names referenced herein are used for identification only and are property of their respective owners.

## **Patent Notice**

The Hydrotab products are protected by patents and industrial design patents, patents pending or design patents pending.

## **Declaration of conformity**

This product conforms to the following Electromagnetic Compatibility (EMC) regulations and standards for use in marine environments.

CE EN 60945

## **Technical information and Documentation**

The technical information provided in this document was accurate and correct at the corresponding production time of the Hydrotab interceptors. Our operating principal for improving the manufactured product, may lead to changes regarding its specifications without prior notice. Liability will not be accepted for any inaccuracy considering the product and the user manual.

## **Fair use statement**

This manual can be printed or copied for your own use only. Copies should not be provided to third parties and manual should not be commercialized.

## **Product Disposal**

Waste removal of this product must be according to the Waste Electrical and Electronic Equipment (WEEE) Directive.

## **Product Registration**

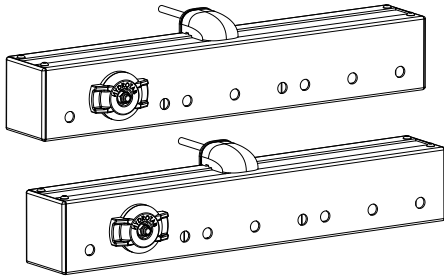
Please register your product online in order the warranty to be valid.

## TABLE OF CONTENTS

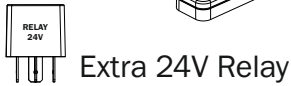
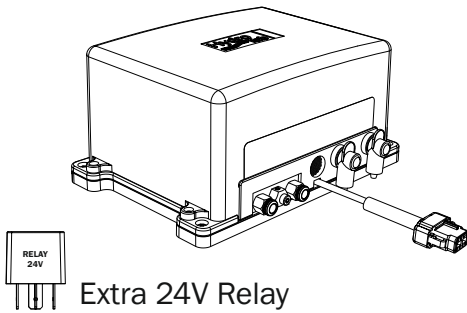
Disclaimer	2
Installation Kit	4
Required Tools for Installation	5
Before Installation	5
Safety precautions	5
Proper Interceptor Installation in Transom	6
Interceptor Installation	7
Air Unit Installation	13
Installation Schematic overview (One Set of Rocker Switches)	15
Installation Schematic overview (Two Sets of Rocker Switches)	15
Air Unit Electrical Diagram	16
Air Unit Pneumatic Diagram	17
Spare Parts List - Model: 160BT (ASM-00928)	18
Spare Parts List - Model: 320BT (ASM-00560)	19
Spare Parts List - Model: 480BT (ASM-00561)	20
Spare Parts List - Model: 640BT (ASM-00562)	21
Spare Parts List - Model: 800BT (ASM-00563)	22
Spare Parts List - Model: 960BT (ASM-00564)	23
Spare Parts List - Model: 1500BT (ASM-00940)	24
Spare Parts List - Model: 2000BT (ASM-00941)	25
Spare Parts List - Air Unit (ASM-00834)	26
Warranty Conditions	27

# Installation Kit

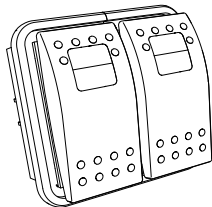
## 1. Two interceptors



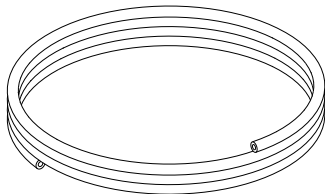
## 2. 12V Air Unit



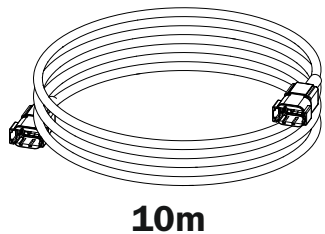
## 3. Rocker Switches



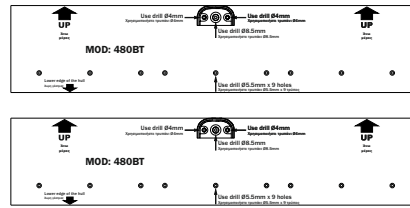
## 4. Pipe 8mm



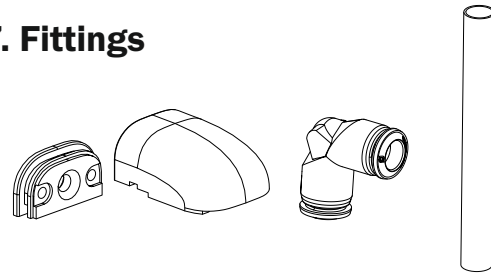
## 5. Connection cable



## 6. Two drilling patterns



## 7. Fittings



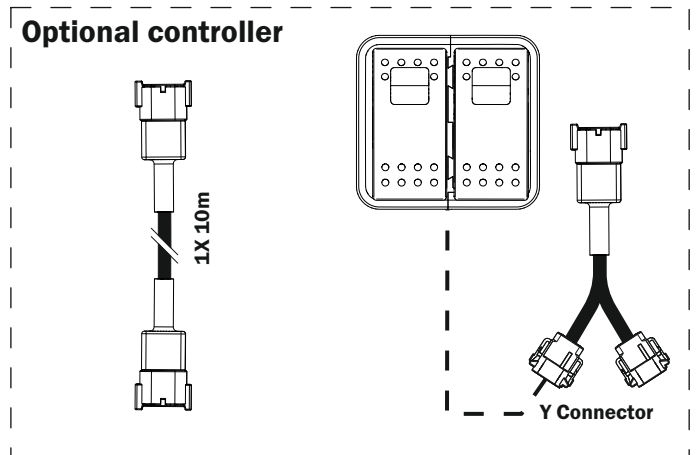
## 8. Screws

- Air Unit wall mounting screws (4,8x25)
- 3DHC controller mounting screws (3,5x13)
- Interceptor mounting screws (6,3x32)
- Fitting mounting screws (4,8x25)

## Optional cables

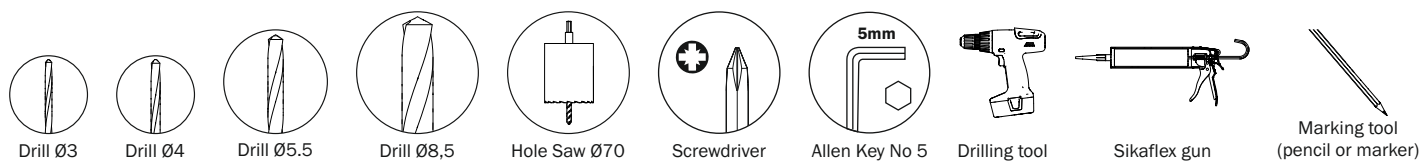


## Optional controller





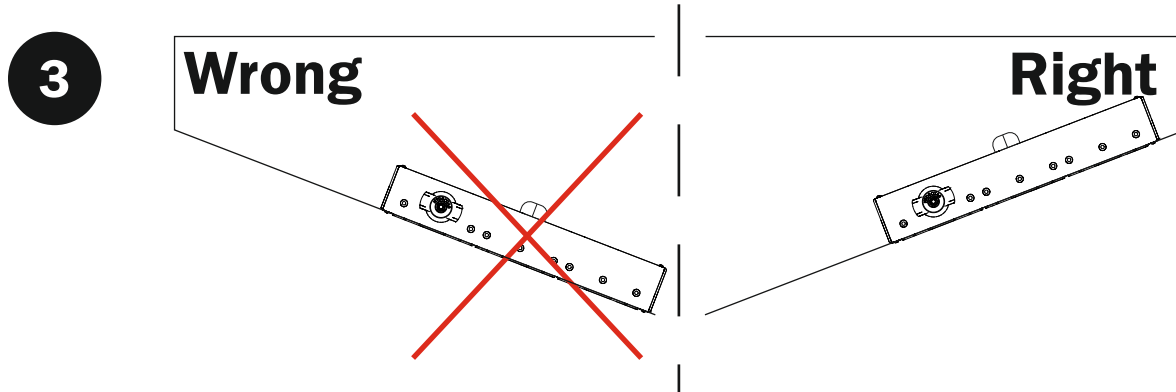
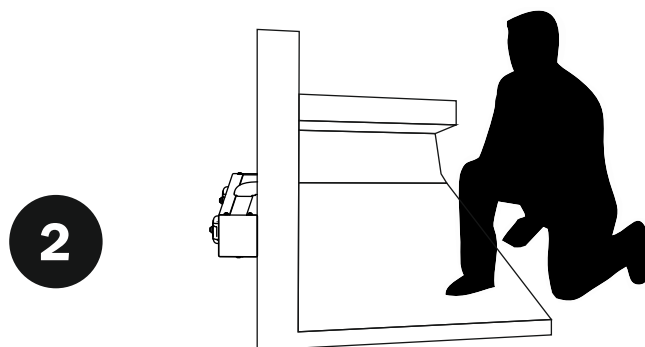
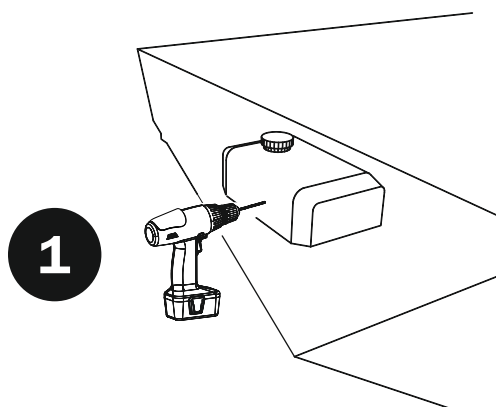
## Required Tools for Installation



## Before Installation

Make sure there are no obstructions behind the drilling area (tanks, fuel lines, cabling) which can be damaged or prevent the installation (Figure 1).

**Attention!** Please make sure that the pipe insertion hole is accessible from the engine room (Figure 2).

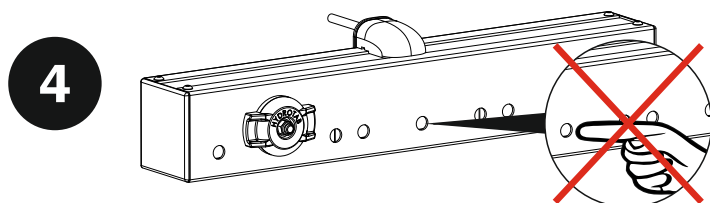


A good hint is that the closer the units are to the water line, the best the bank control of the boat will be (Figure 3).

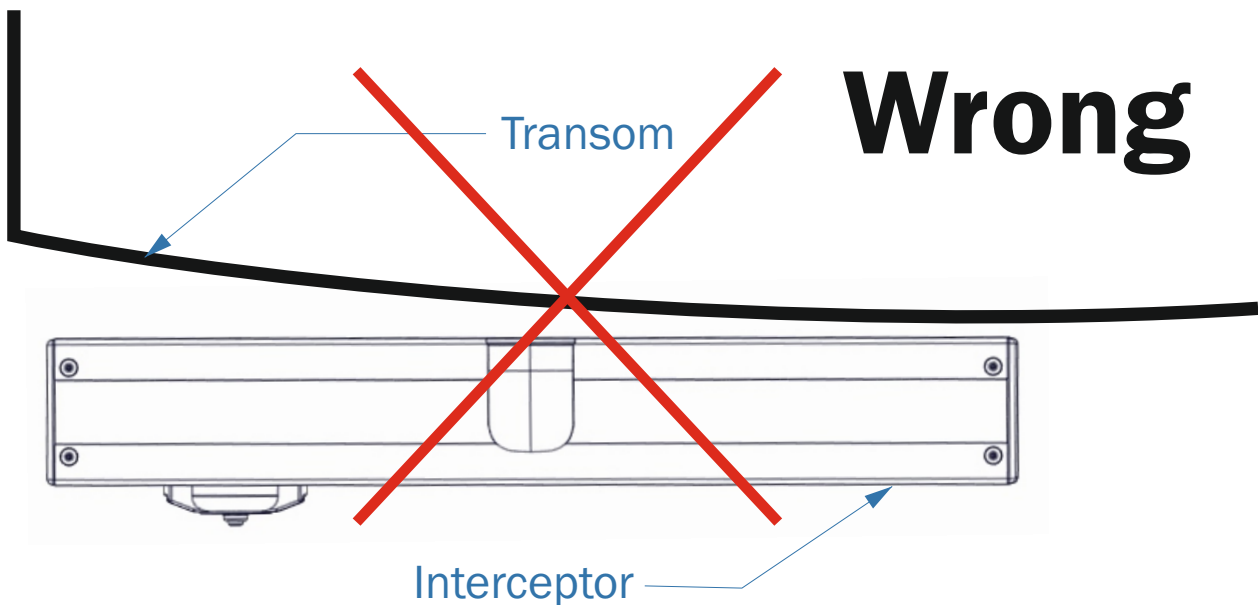
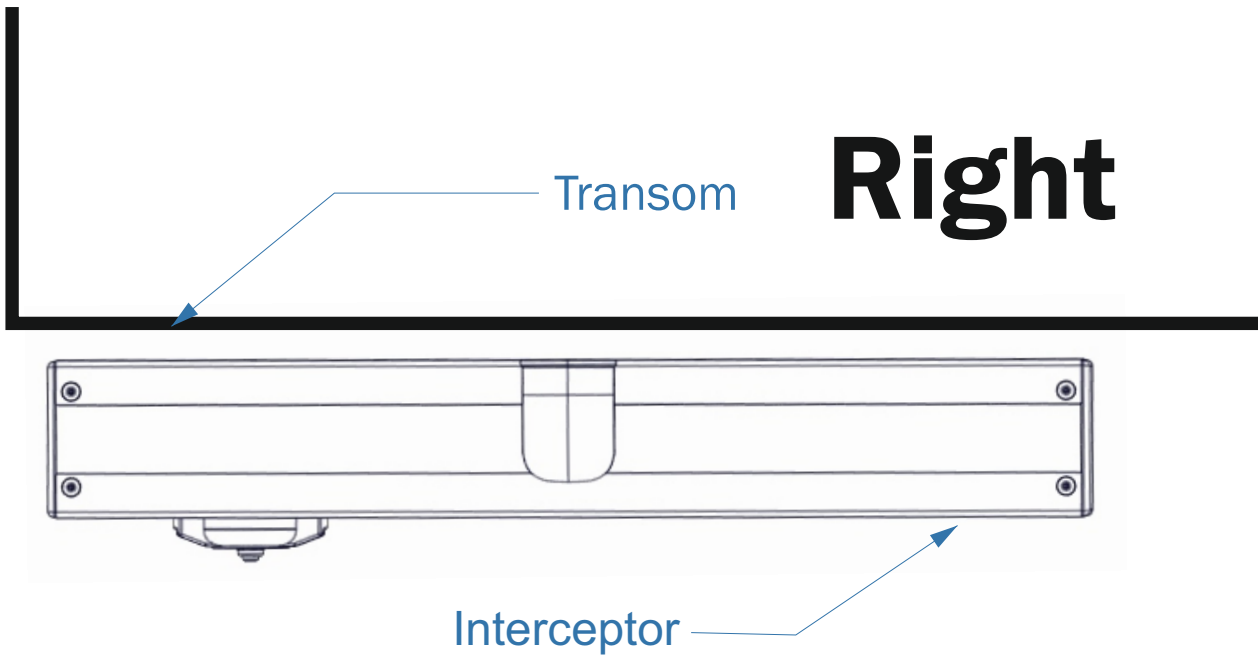
## WARNING!

## Safety precautions

1. For high speed boats, overtrim may cause unexpected turn. Improper use of trim tabs, may result to accident or injury.
2. Please DO NOT PLACE YOUR FINGERS INSIDE THE INTERCEPTOR, through the front holes (Figure 4).

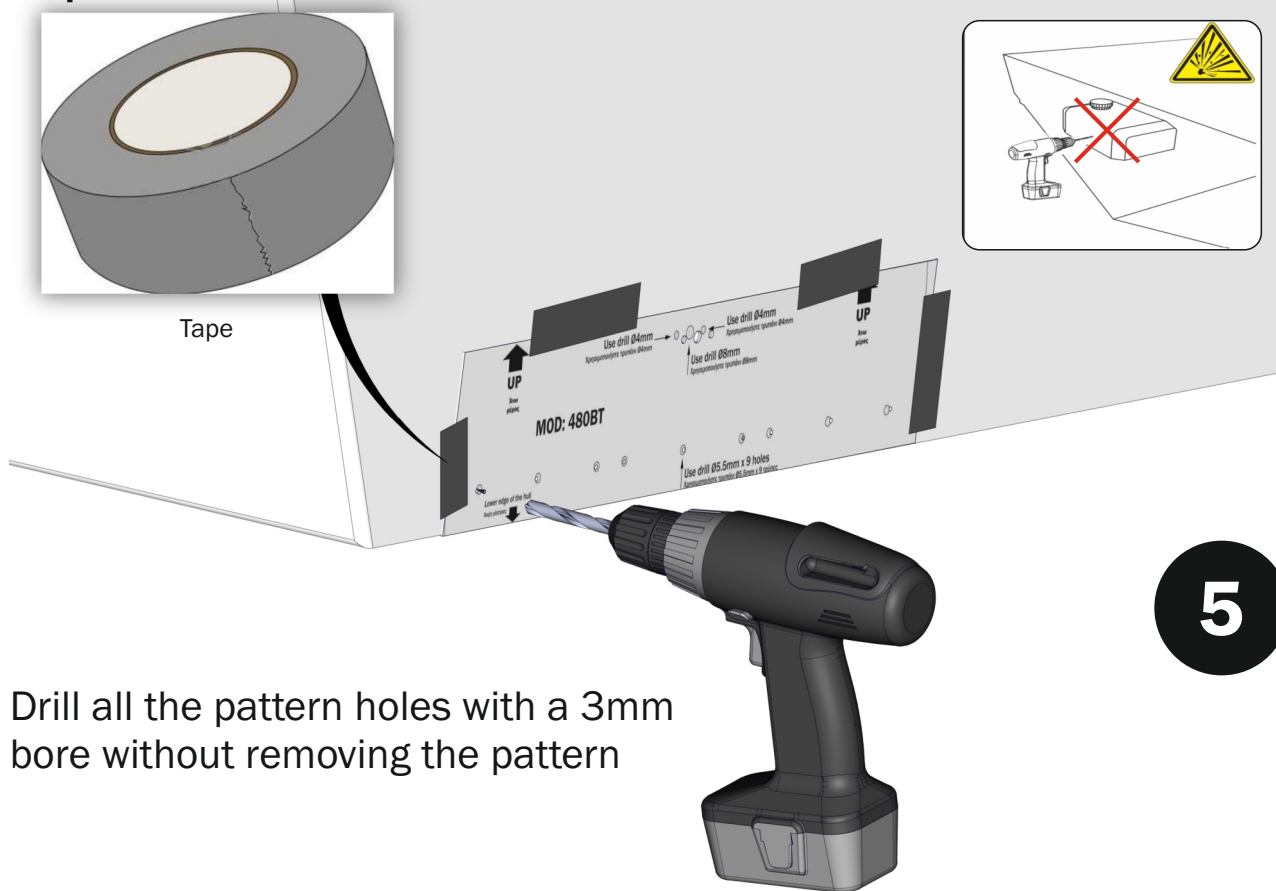


## Proper interceptor installation in transom

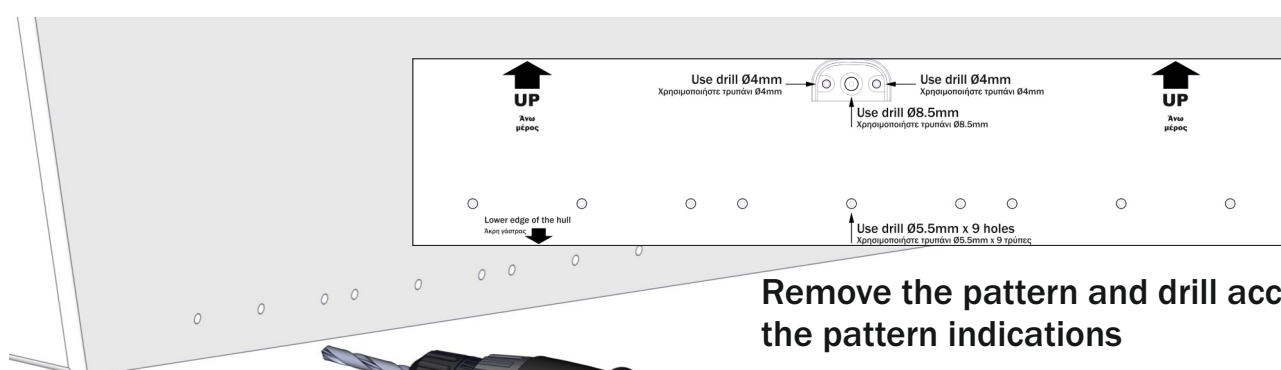


If the boat's transom has a significant curvature, it is necessary to create a flat plane for the installation (acceptable flatness tolerance: 2mm).

## Interceptor Installation

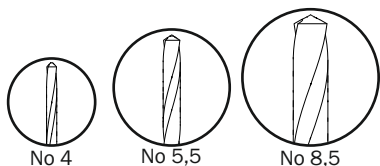


Drill all the pattern holes with a 3mm bore without removing the pattern

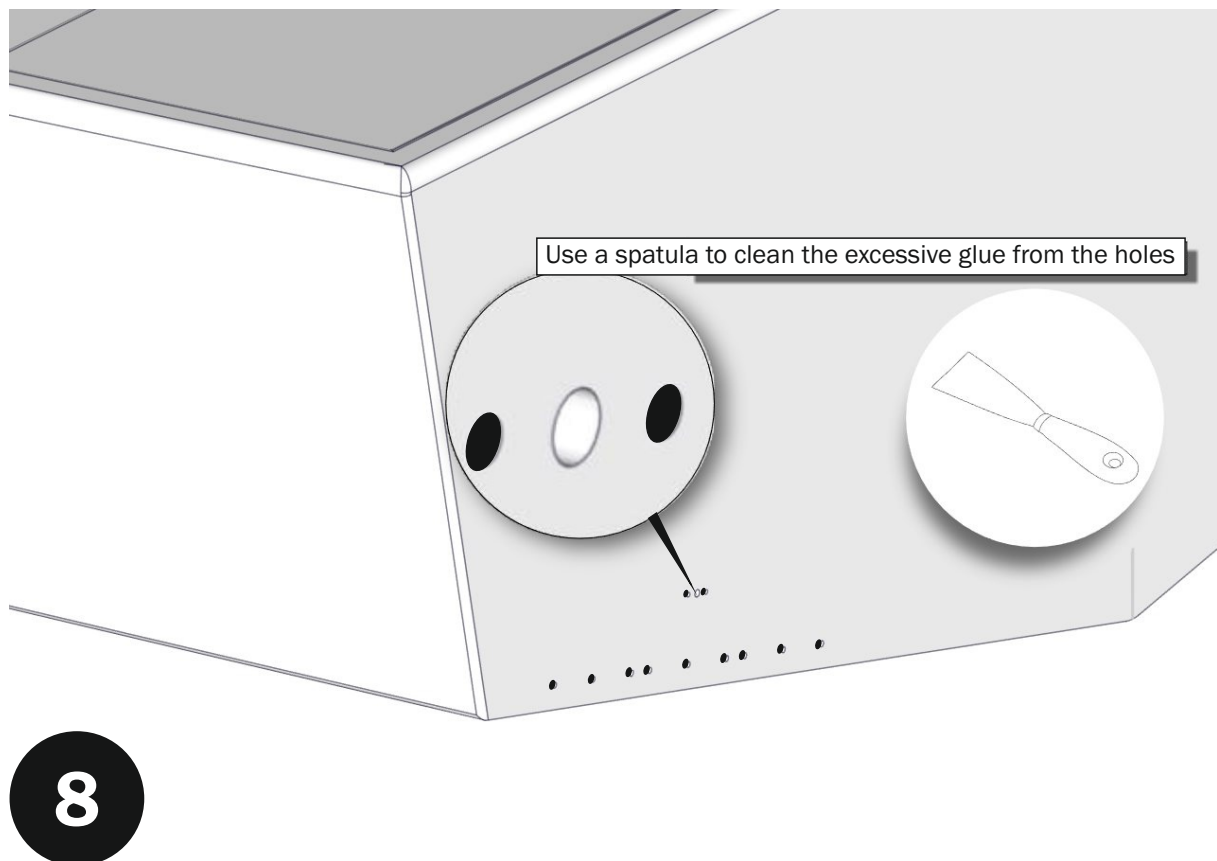
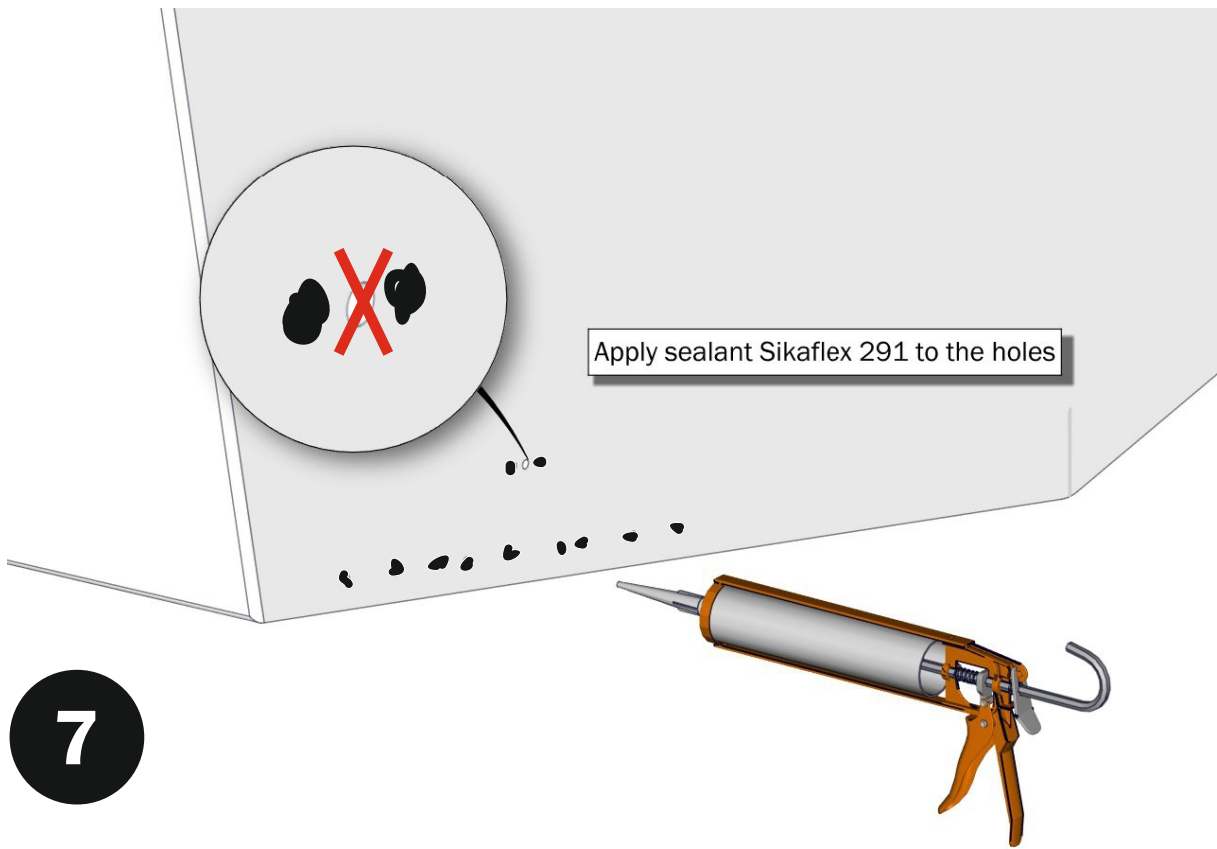


Remove the pattern and drill according to the pattern indications

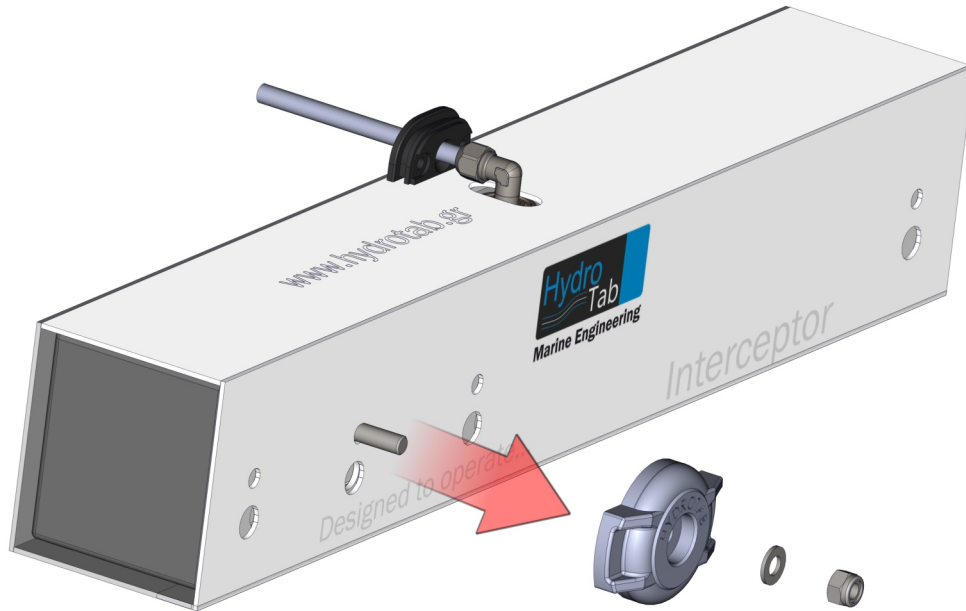
You will need



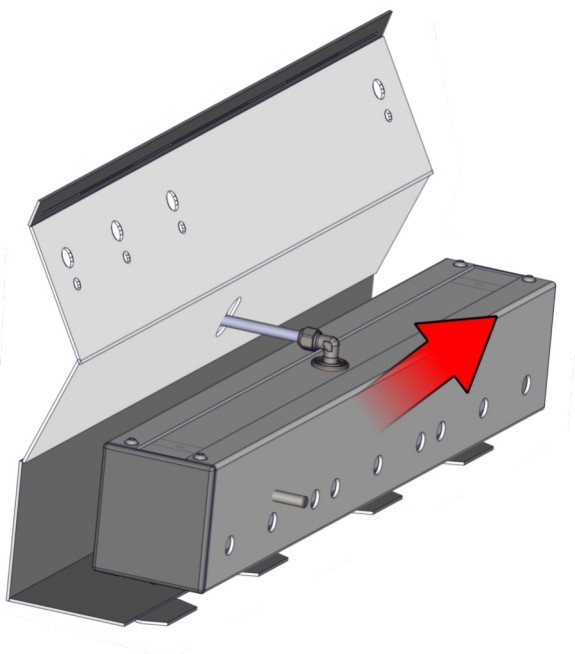
## Interceptor Installation

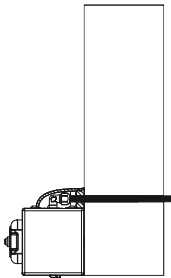
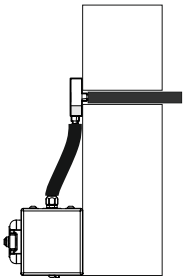


**Interceptor Installation**



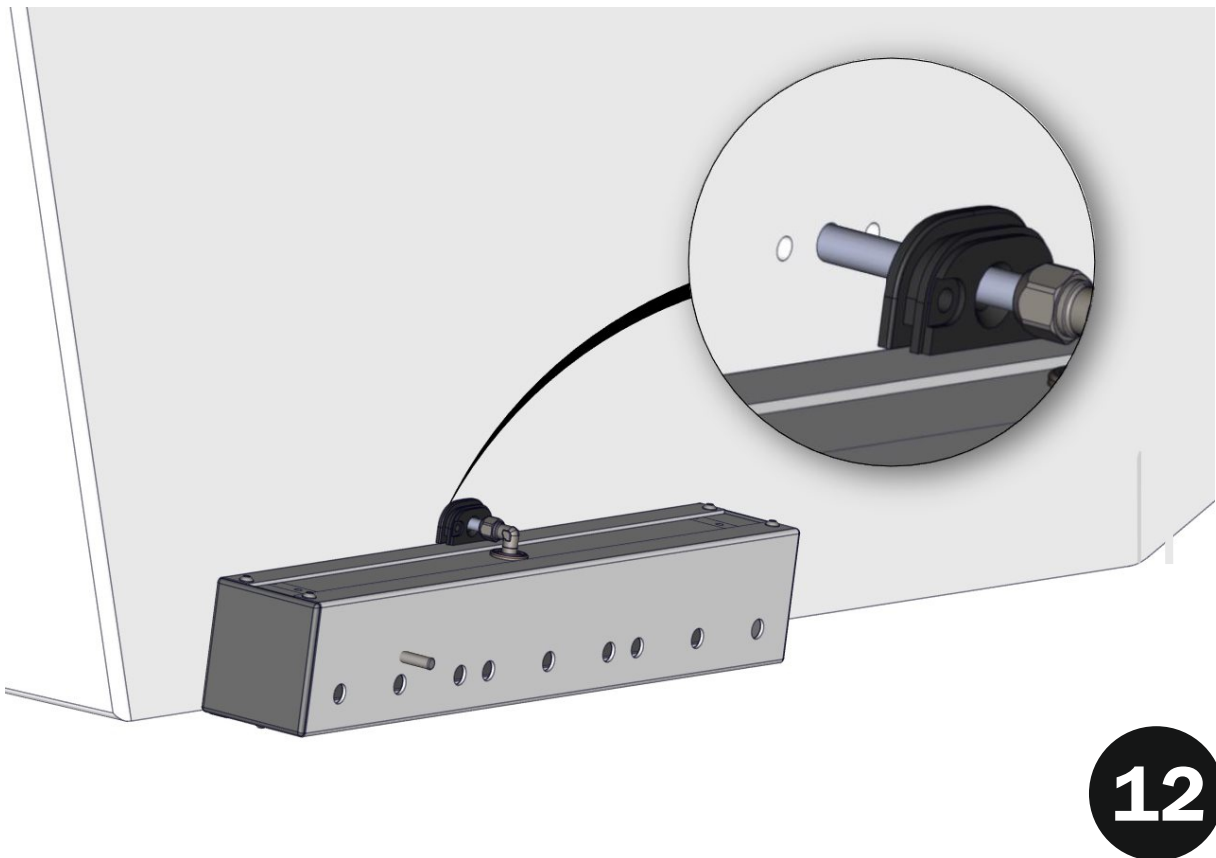
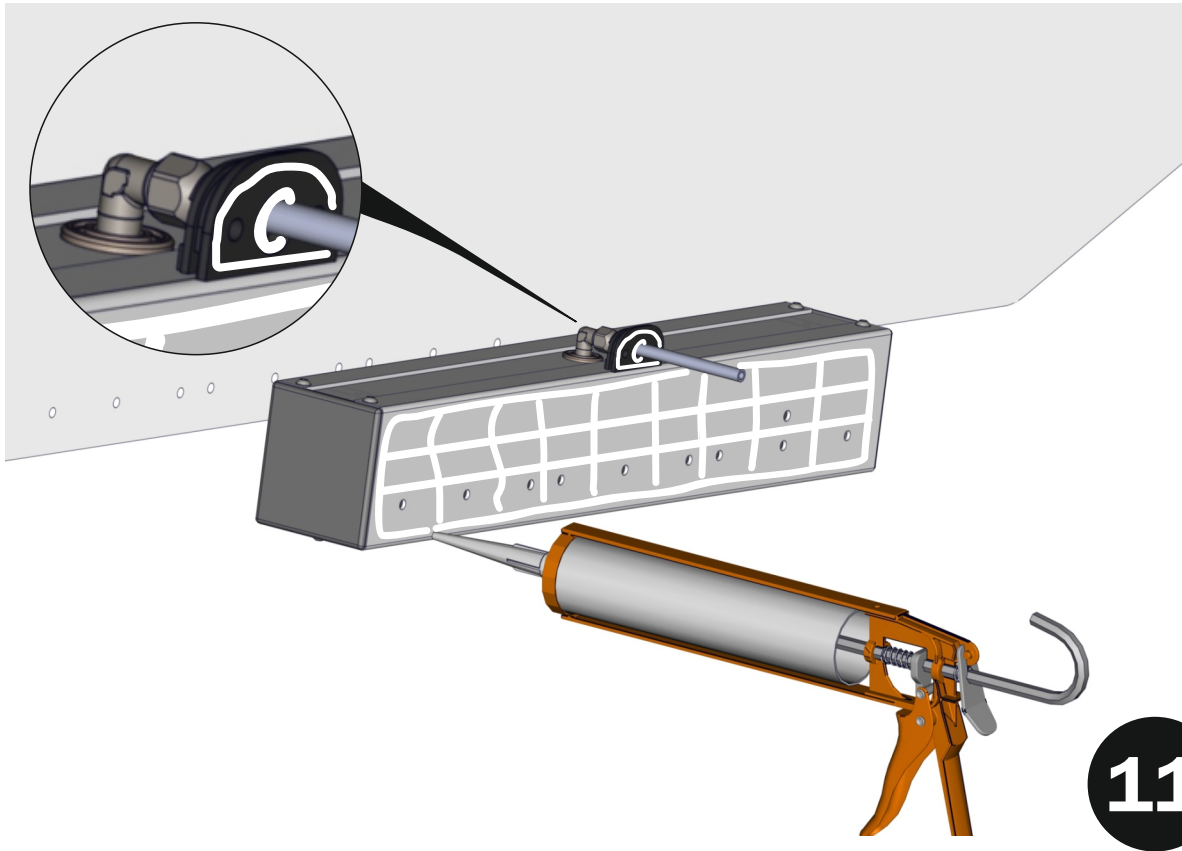
**9**



Direct air supply	<b>Optional:</b> Indirect Air Supply Kit
	

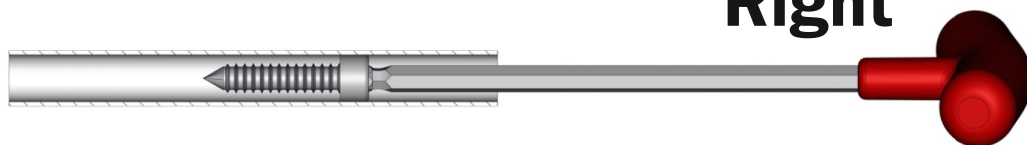
**10**

## Interceptor Installation

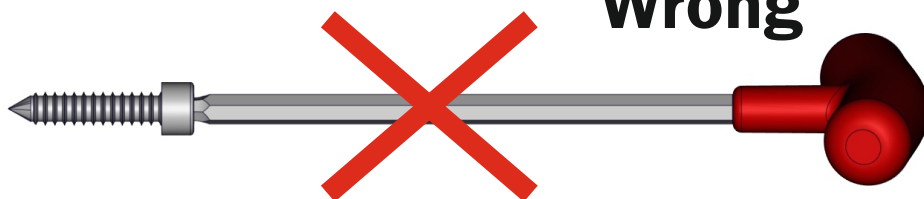


## Interceptor Installation

**Right**

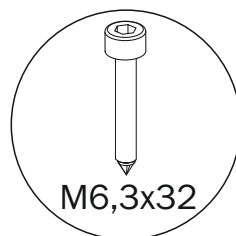
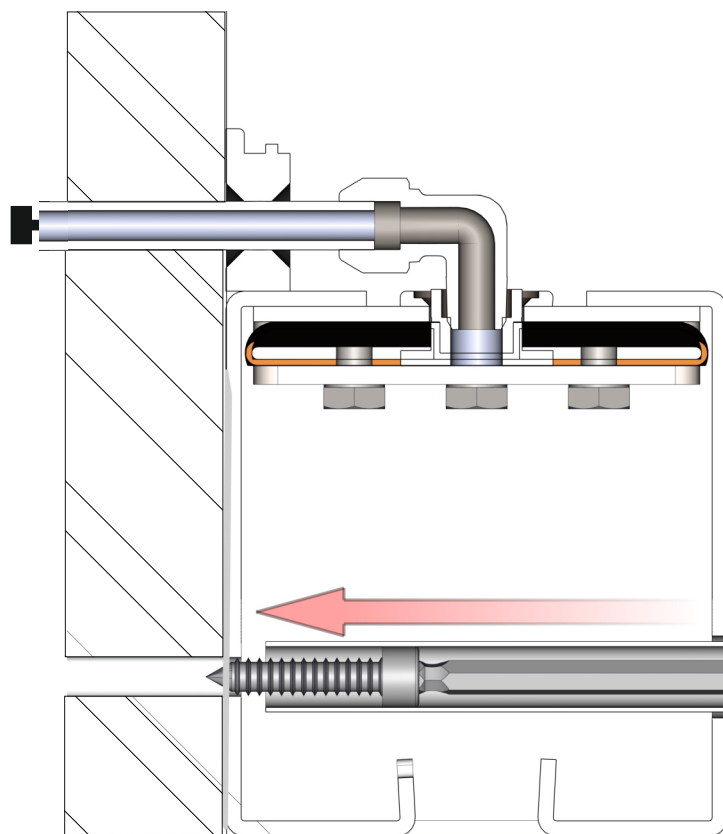


**Wrong**

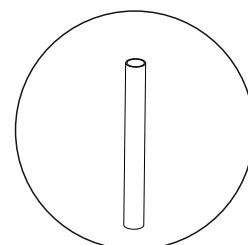


**! WARNING!** Do not try to place the screw without using the guide pipe!  
If the screw falls in the internal of the interceptor, you must disassemble the rear plastic cover, and restore the screw.

**13**



M6,3x32

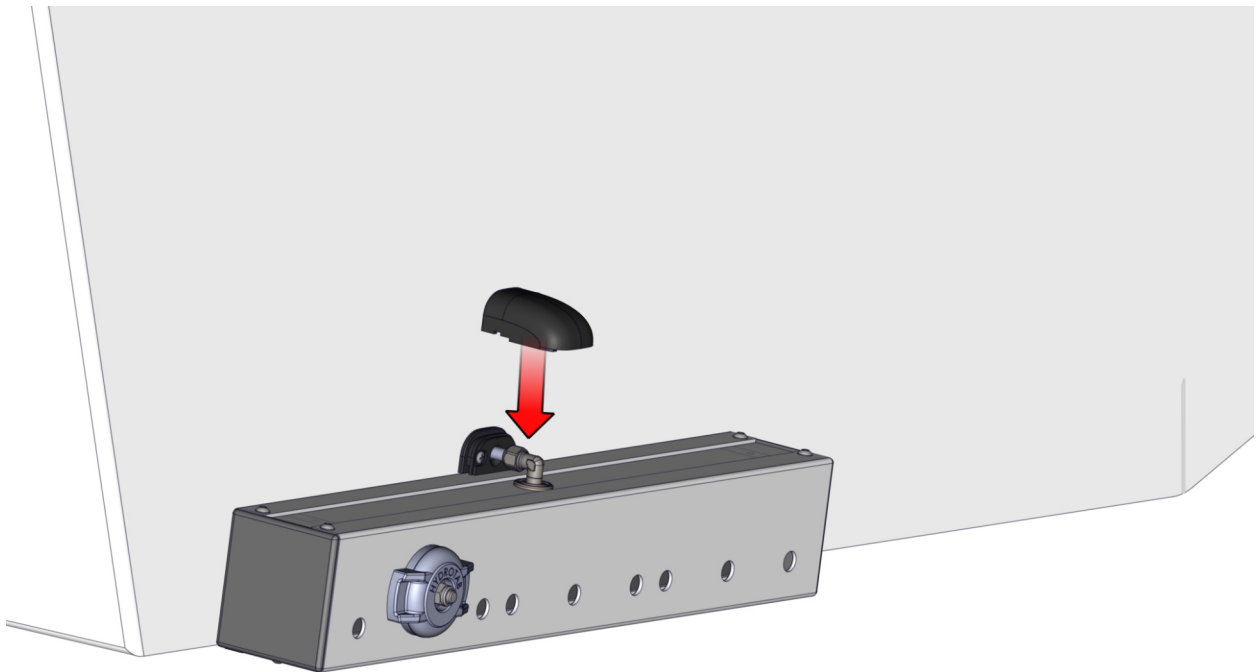
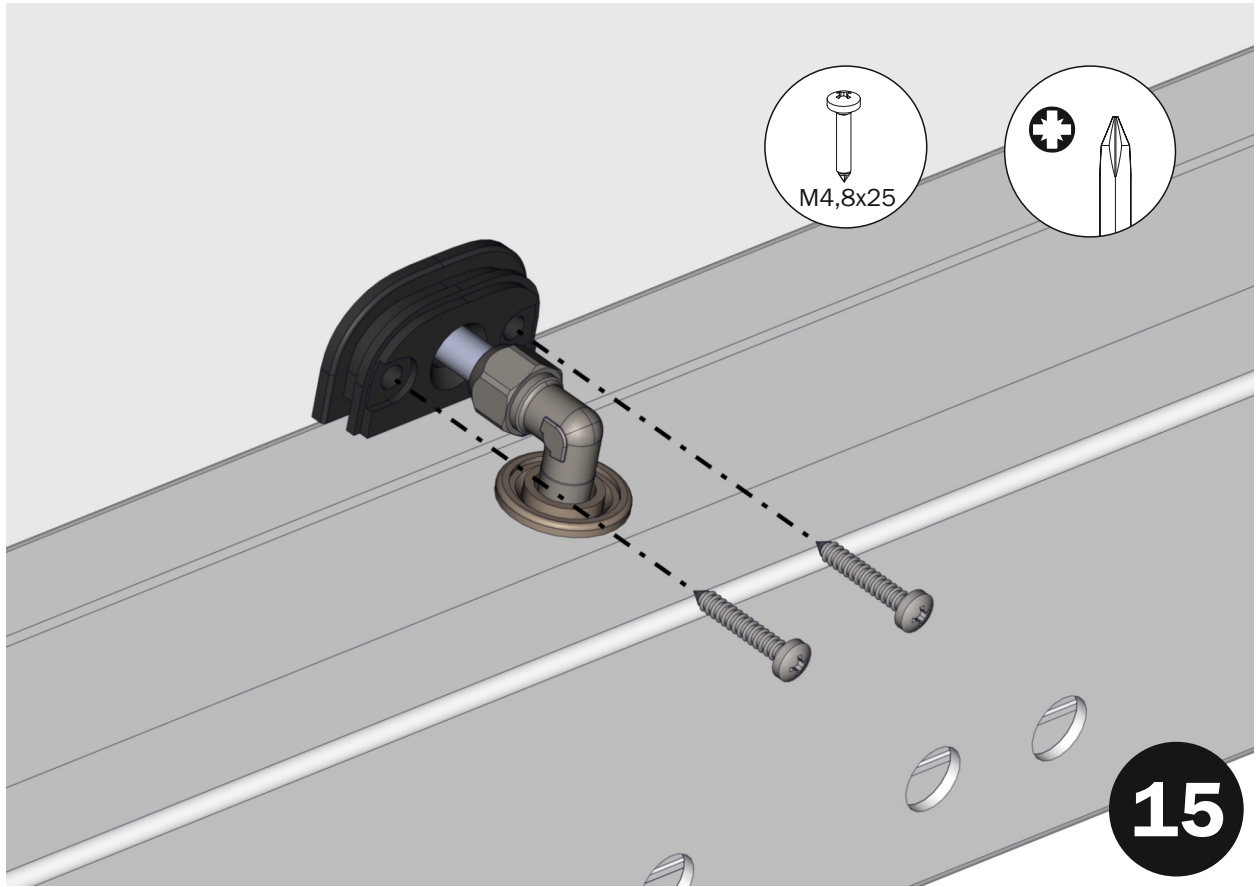


Use the special pipe  
included in the packaging

Allen 5mm

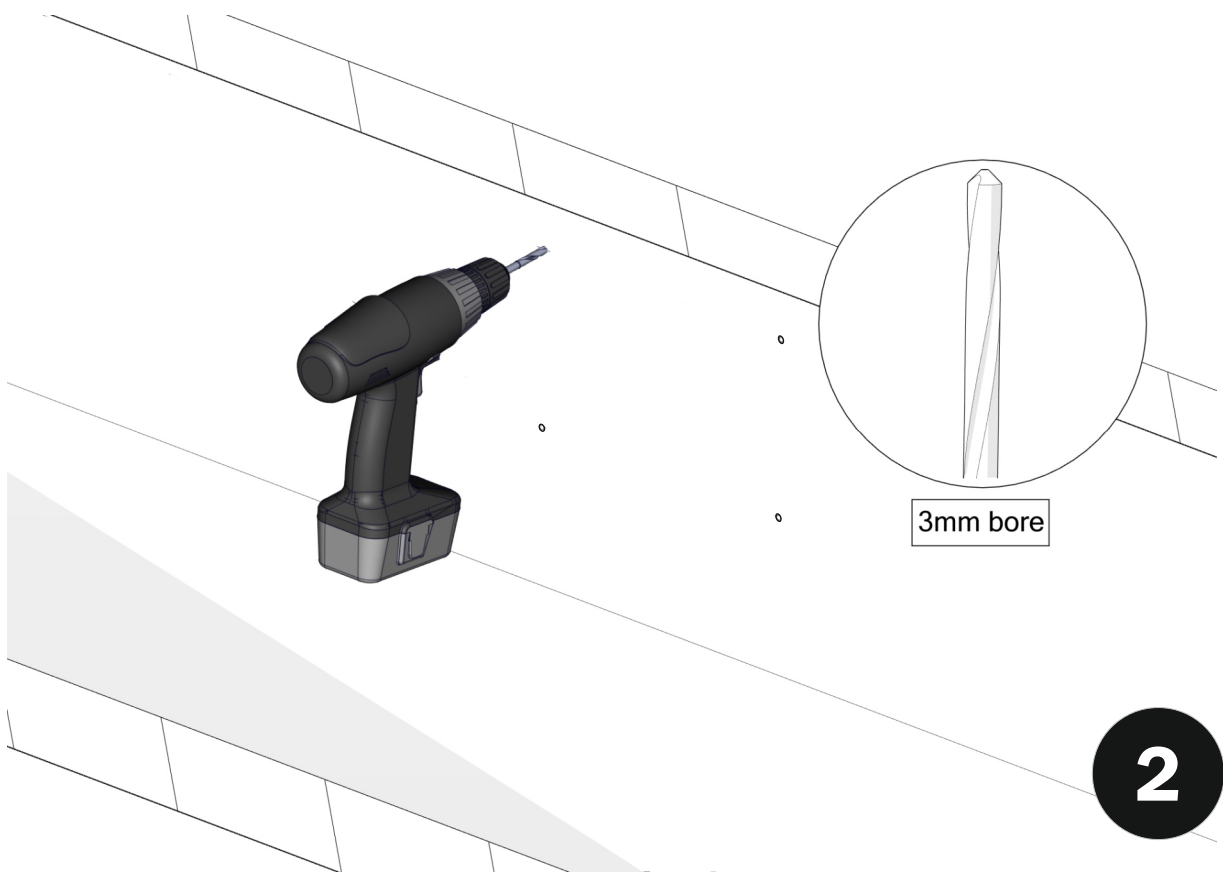
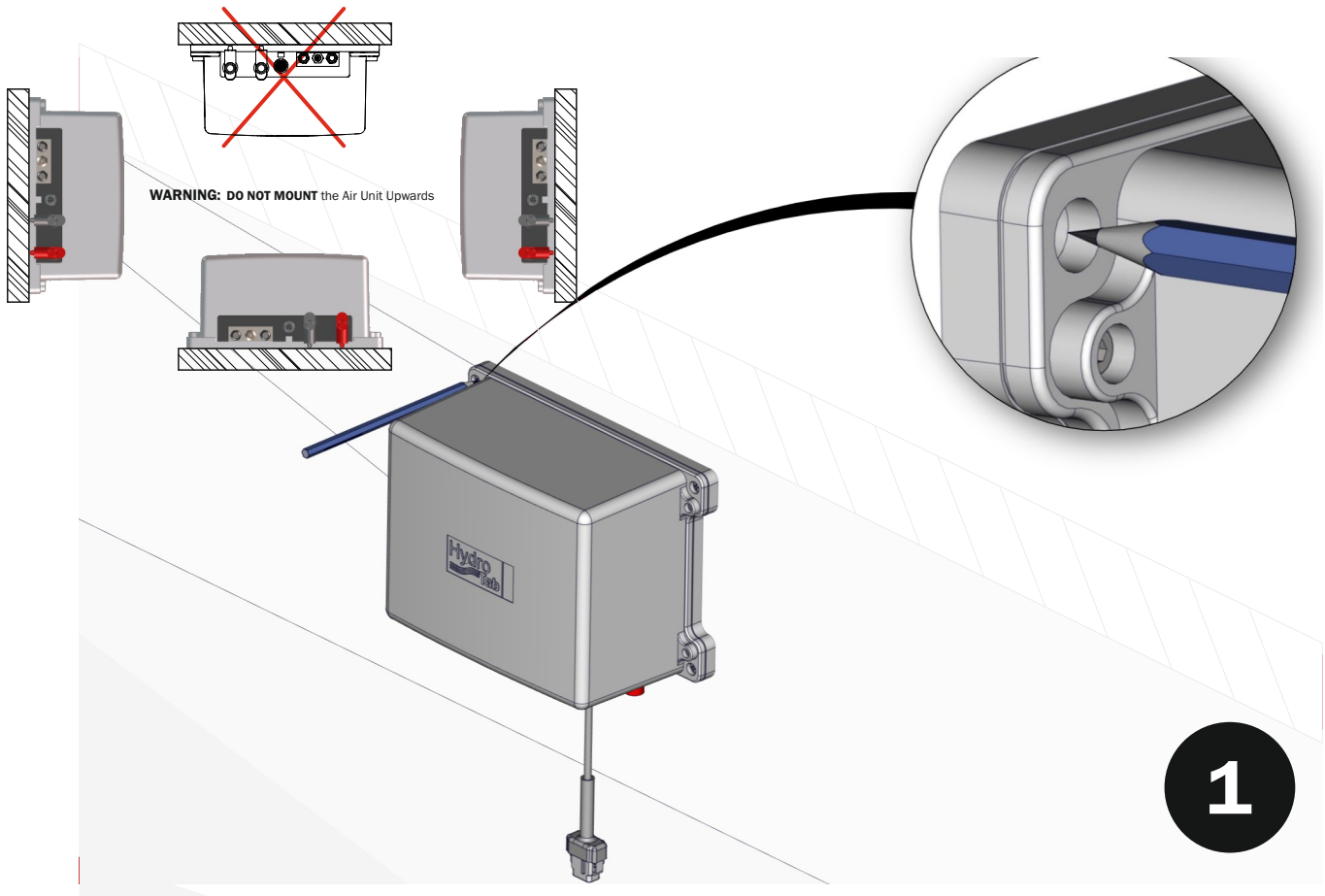
**14**

## Interceptor Installation

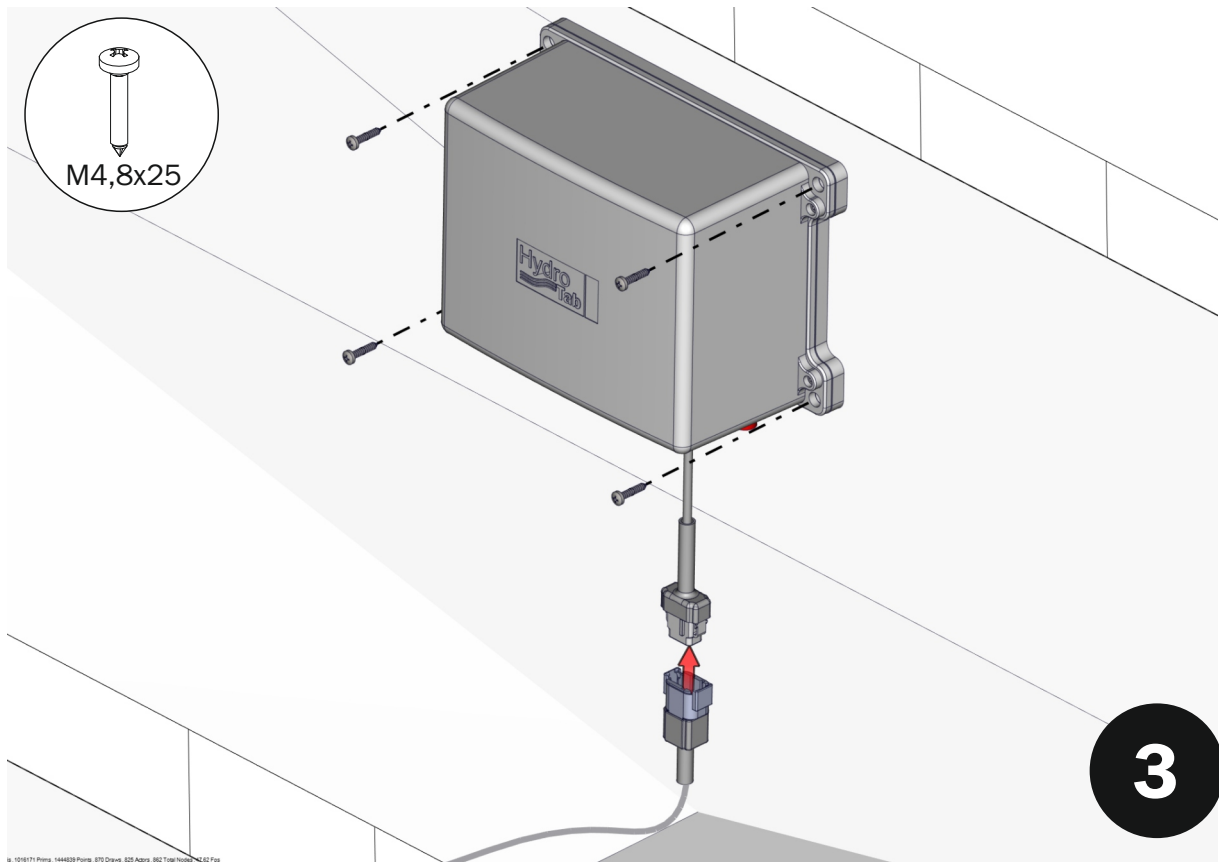




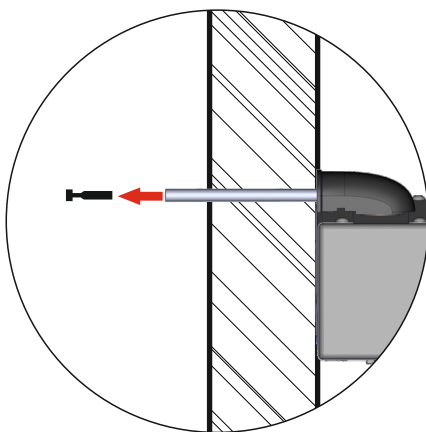
## Air Unit Installation



## Air Unit Installation

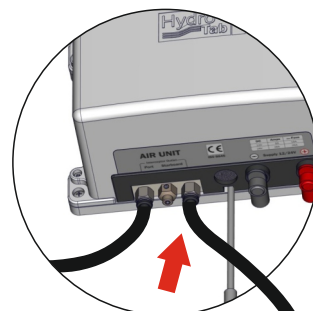


### Pneumatic Connection

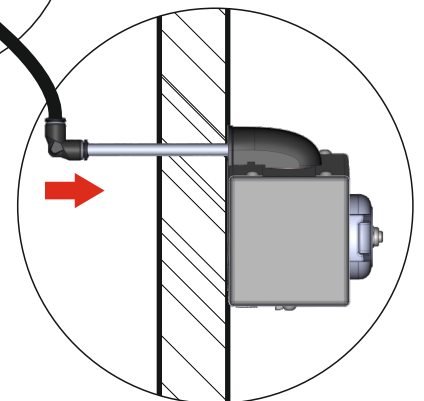


**! Remove the cap**

**4**



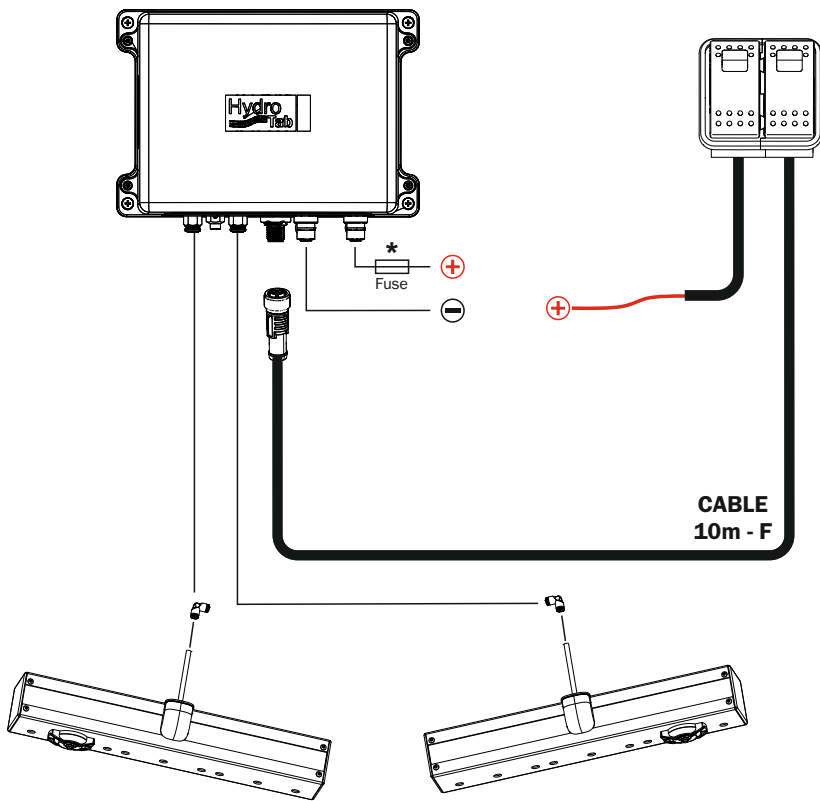
Cut the 8mm pipe at the proper length and connect it to the Air Unit



Connect the push-in fitting

**5**

### Installation Schematic overview (One Set of Rocker Switches)



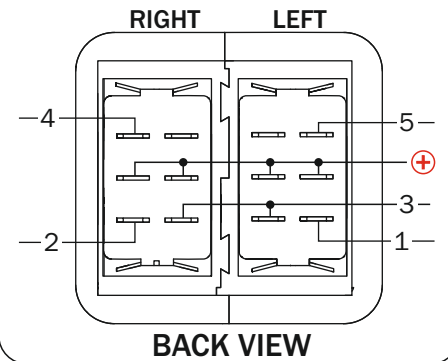
#### Attention!

DC	Amps	Use Fuse
12V	9A	15A
24V	16A	25A

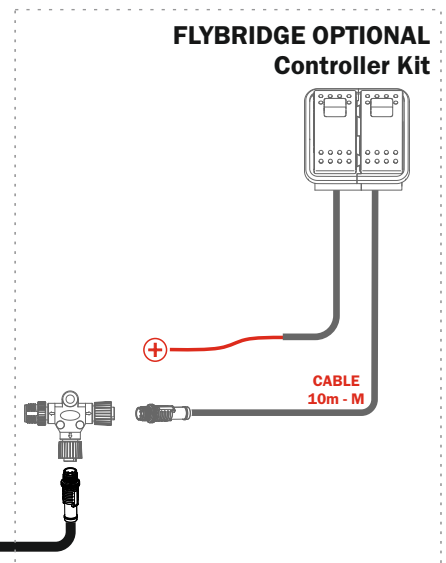
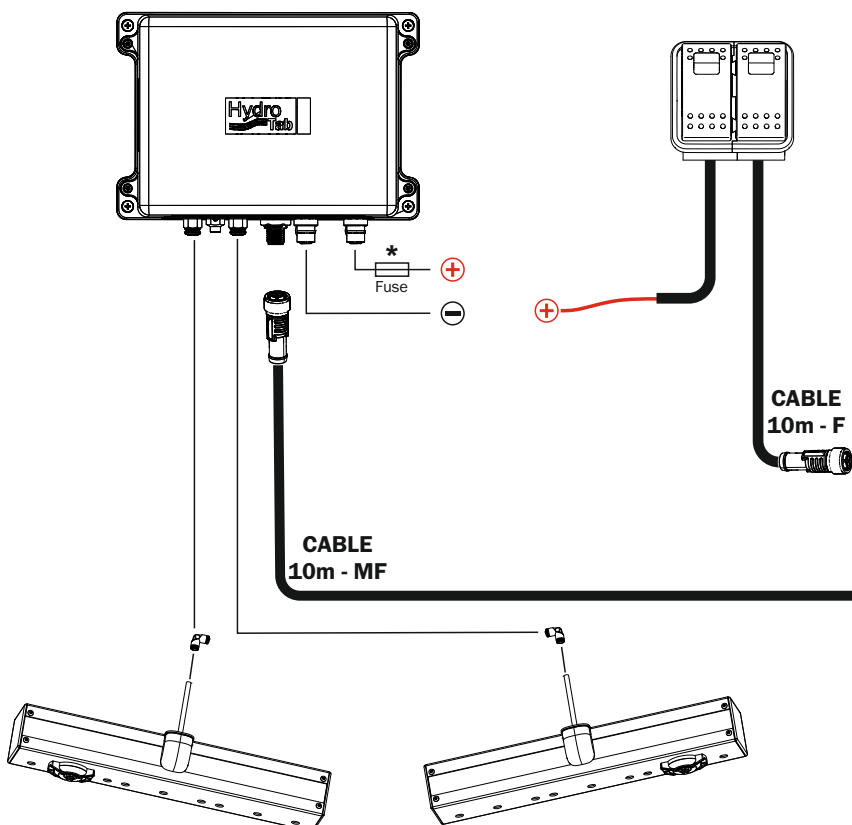
Supply 12/24V

\*Advice the fusing table and ensure that you apply the right fuse according to your boat's voltage.

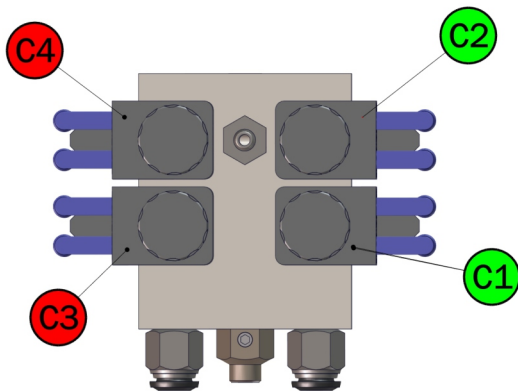
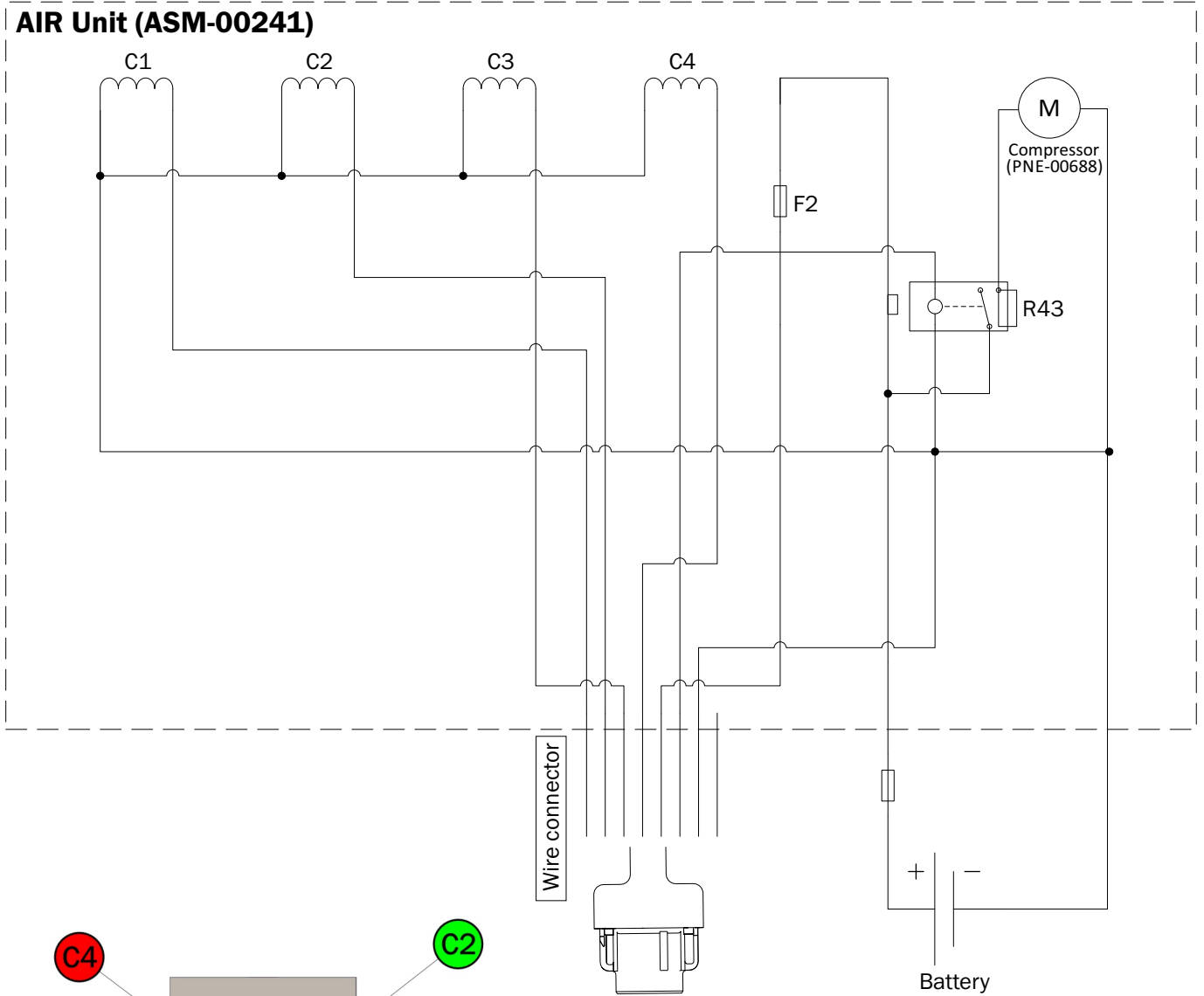
#### Rocker Switches Panel Wiring Diagram



### Installation Schematic overview (Two Sets of Rocker Switches)



## Electrical Diagram



- Port valves
- Starboard valves

SYMBOL	PART No	DESCRIPTION
C1	PNE-00017	VALVE COIL
C2	PNE-00017	VALVE COIL
C3	PNE-00017	VALVE COIL
C4	PNE-00017	VALVE COIL
R43		RELAY 12 OR 24V
F2		FUSE 3A



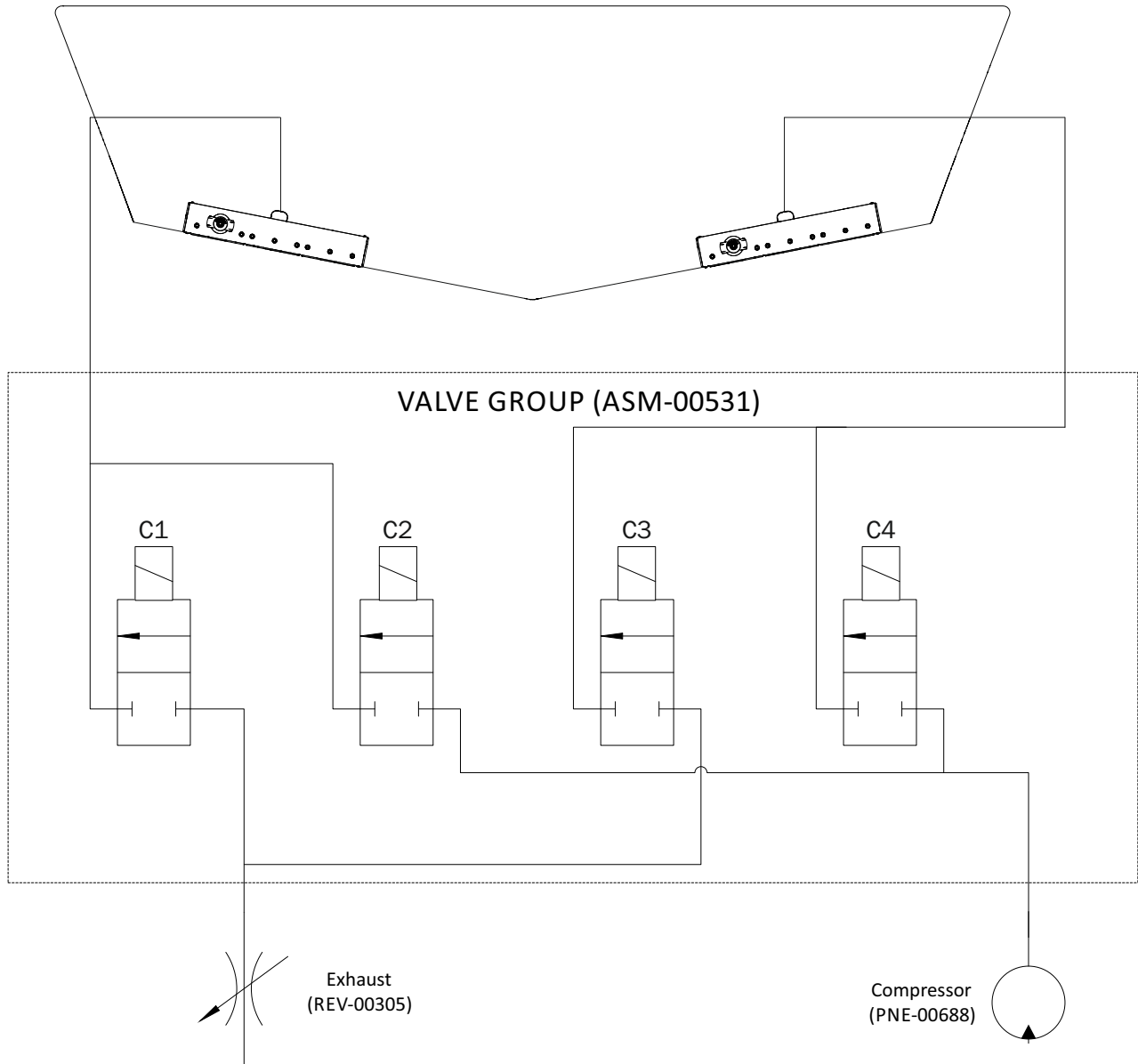
DC	Amps	Use Fuse
12V	9A	15A
24V	16A	25A

- Supply 12/24V +

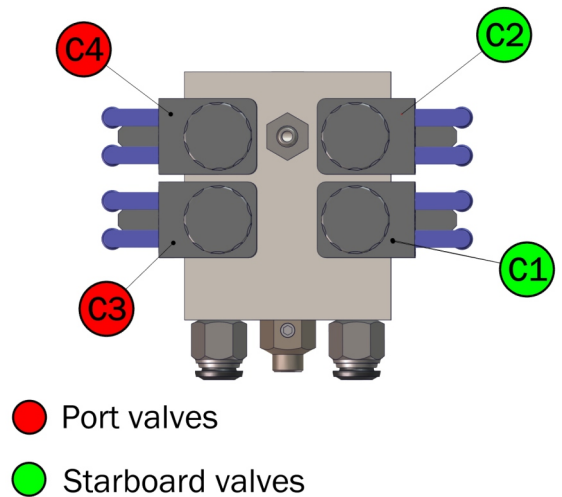
### WARNING!

Advice the fusing table and ensure that you apply the right fuse according to your boat's voltage.

# Pneumatic Diagram

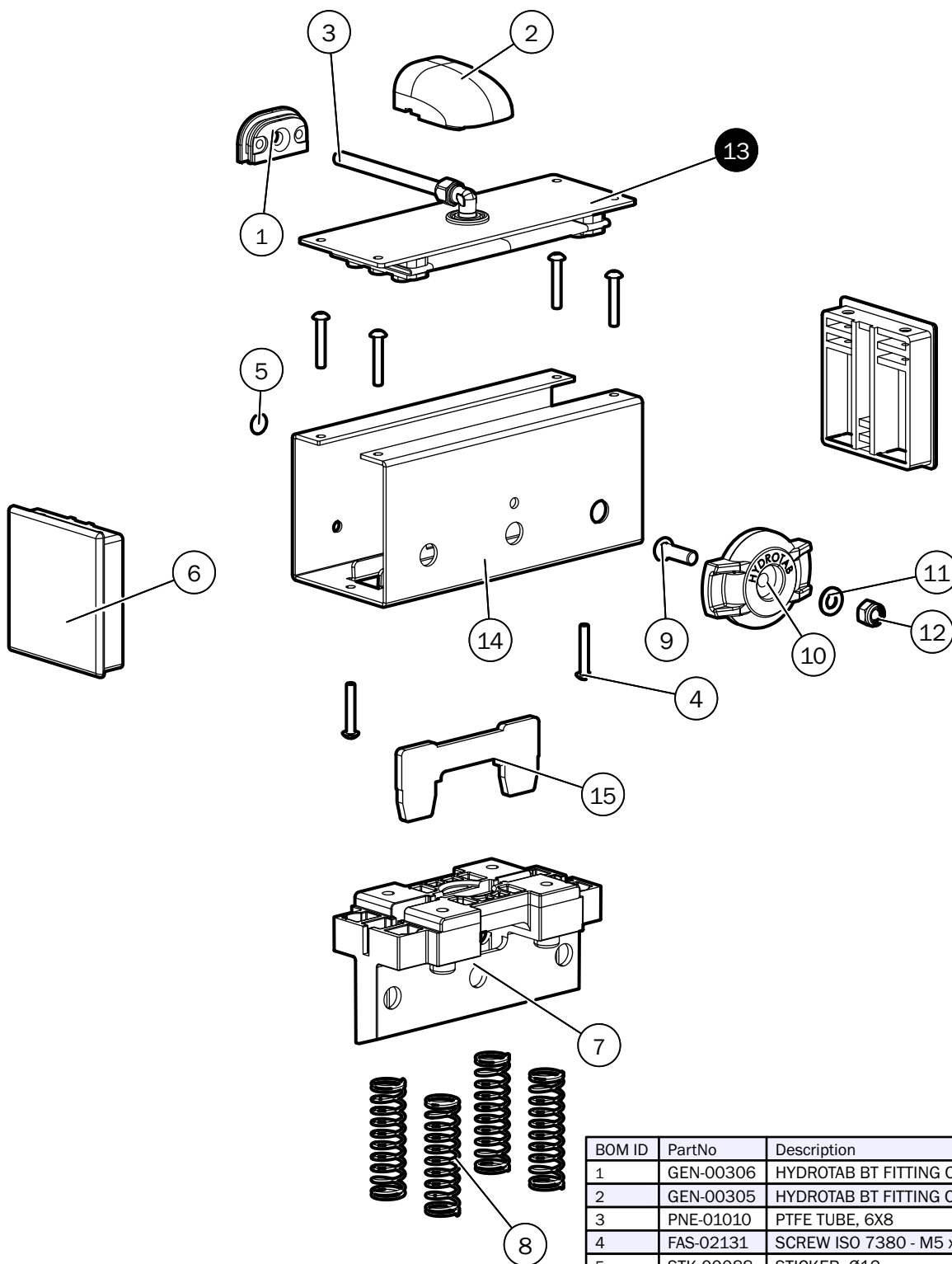


SYMBOL	PART No	DESCRIPTION	NOTES
C1	PNE-00017	COIL	STARBOARD RETRACT
C2	PNE-00017	COIL	STARBOARD EXTEND
C3	PNE-00017	COIL	PORT RETRACT
C4	PNE-00017	COIL	PORT EXTEND



Spare parts list

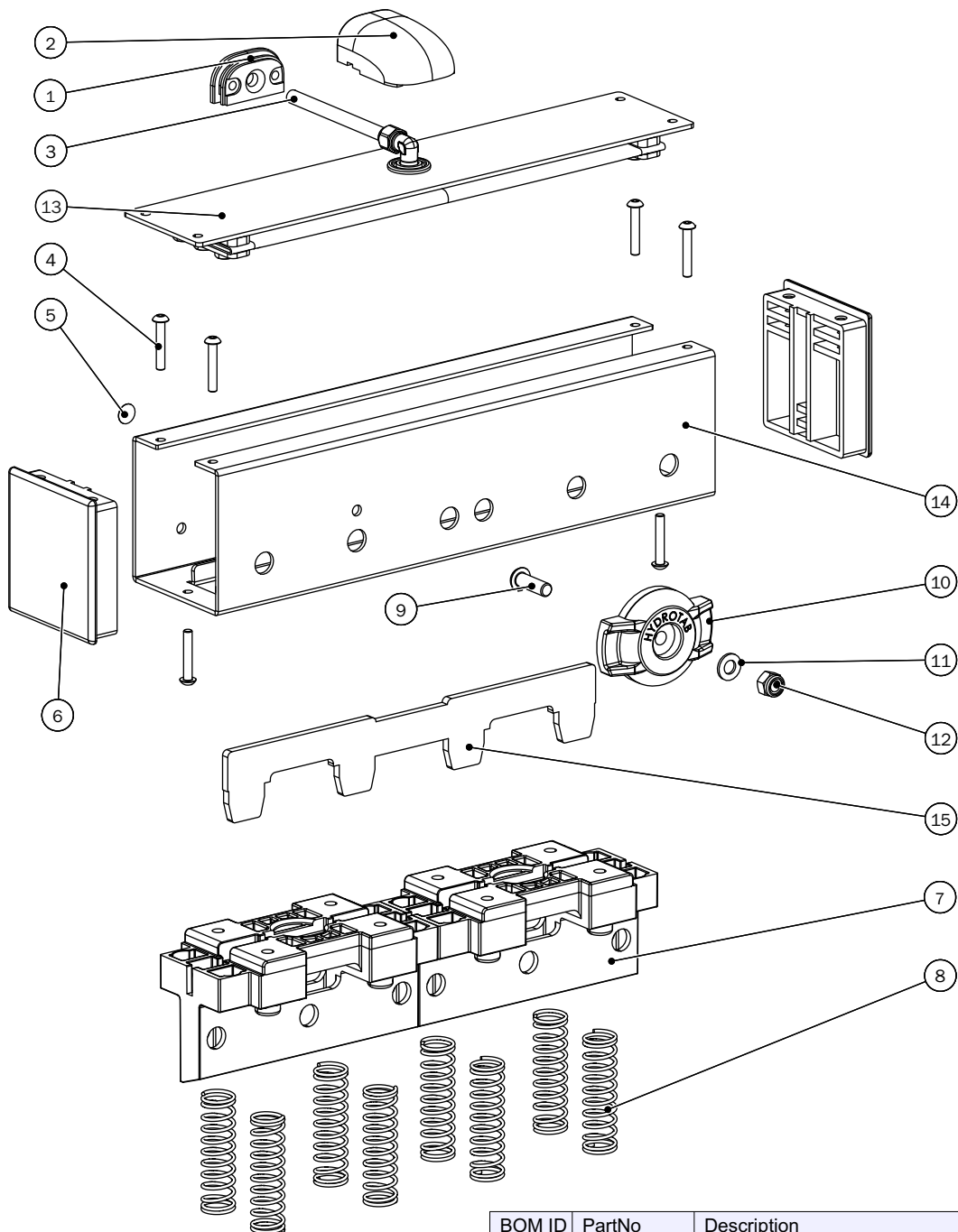
**MOD: 160BT (ASM-00928)**



BOM ID	PartNo	Description	Qty
1	GEN-00306	HYDROTAB BT FITTING COVER FLANGE	1
2	GEN-00305	HYDROTAB BT FITTING COVER	1
3	PNE-01010	PTFE TUBE, 6X8	1
4	FAS-02131	SCREW ISO 7380 - M5 x 30	6
5	STK-00088	STICKER, Ø12	1
6	GEN-00276	HYDROTAB BT, REAR CAP	2
7	GEN-00290	HYDROTAB BLADE, 160mm	1
8	SPR-00025	HYDROTAB BT, SPRING	4
9	FAS-02142	SCREW ISO 7380 - M8 x 25	1
10	GEN-00279	HYDROTAB "T" SERIES, ANODE	1
11	FAS-01025	WASHER DIN 125 - A 8.4	1
12	FAS-02209	PREVAILING TORQUE NUT ISO 7040 - M8	1
13	ASM-00999	TUBULAR ASSY, HYDROTAB 160BT	1
14	LAS-00826	HOUSING, HYDROTAB 160BT	1
15	LAS-00851	HOLDING BLADE PLATE, HYDROTAB 160BT	1

Spare parts list

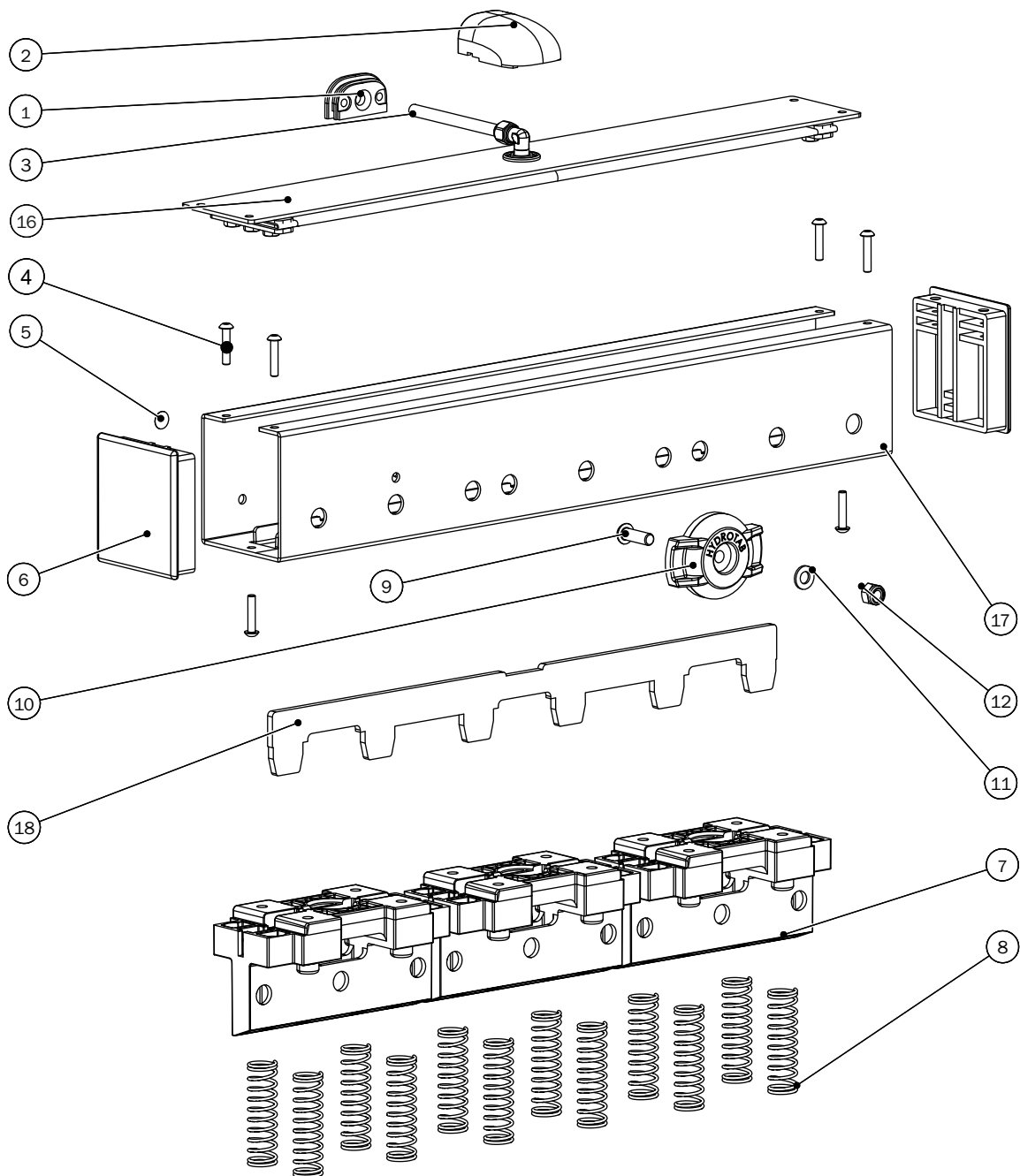
**MOD: 320BT (ASM-00560)**



BOM ID	PartNo	Description	Qty
1	GEN-00306	FITTING COVER FLANGE	1
2	GEN-00305	FITTING COVER	1
3	PNE-01010	PTFE TUBE, 6X8	1
4	FAS-02131	SCREW ISO 7380 - M5 x 30	6
5	STK-00088	STICKER, Ø12	1
6	GEN-00276	REAR CAP	2
7	GEN-00290	BLADE	2
8	SPR-00025	SPRING	8
9	FAS-02142	SCREW ISO 7380 - M8 x 25	1
10	GEN-00279	ANODE	1
11	FAS-01025	WASHER DIN 125 - 8.4	1
12	FAS-02209	PREVAILING TORQUE NUT ISO 7040 - M8	1
13	ASM-00550	TUBULAR ASSY 320BT	1
14	LAS-00479	HOUSING 320BT	1
15	LAS-00489	HOLDING BLADE PLATE 320BT	1

Spare parts list

**MOD: 480BT (ASM-00561)**

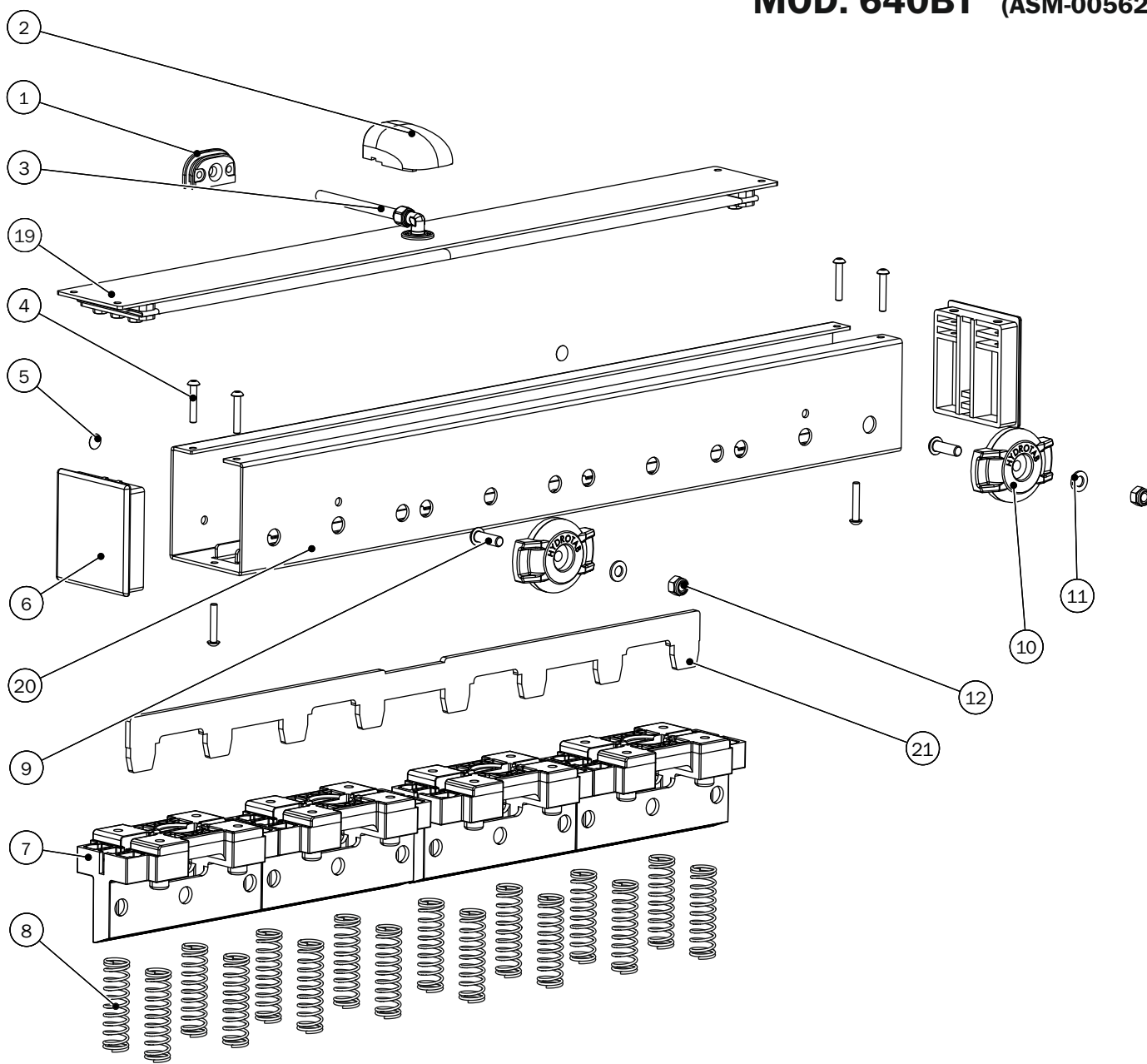


BOM ID	PartNo	Description	Qty
1	GEN-00306	FITTING COVER FLANGE	1
2	GEN-00305	FITTING COVER	1
3	PNE-01010	PTFE TUBE, 6X8	1
4	FAS-02131	SCREW ISO 7380 - M5 x 30	6
5	STK-00088	STICKER, Ø12	1
6	GEN-00276	REAR CAP	2
7	GEN-00290	BLADE	3
8	SPR-00025	SPRING	12
9	FAS-02142	SCREW ISO 7380 - M8 x 25	1
10	GEN-00279	ANODE	1
11	FAS-01025	WASHER DIN 125 - 8.4	1
12	FAS-02209	PREVAILING TORQUE NUT ISO 7040 - M8	1
16	ASM-00551	TUBULAR ASSY 480BT	1
17	LAS-00480	HOUSING 480BT	1
18	LAS-00490	HOLDING BLADE PLATE 480BT	1



**Spare parts list**

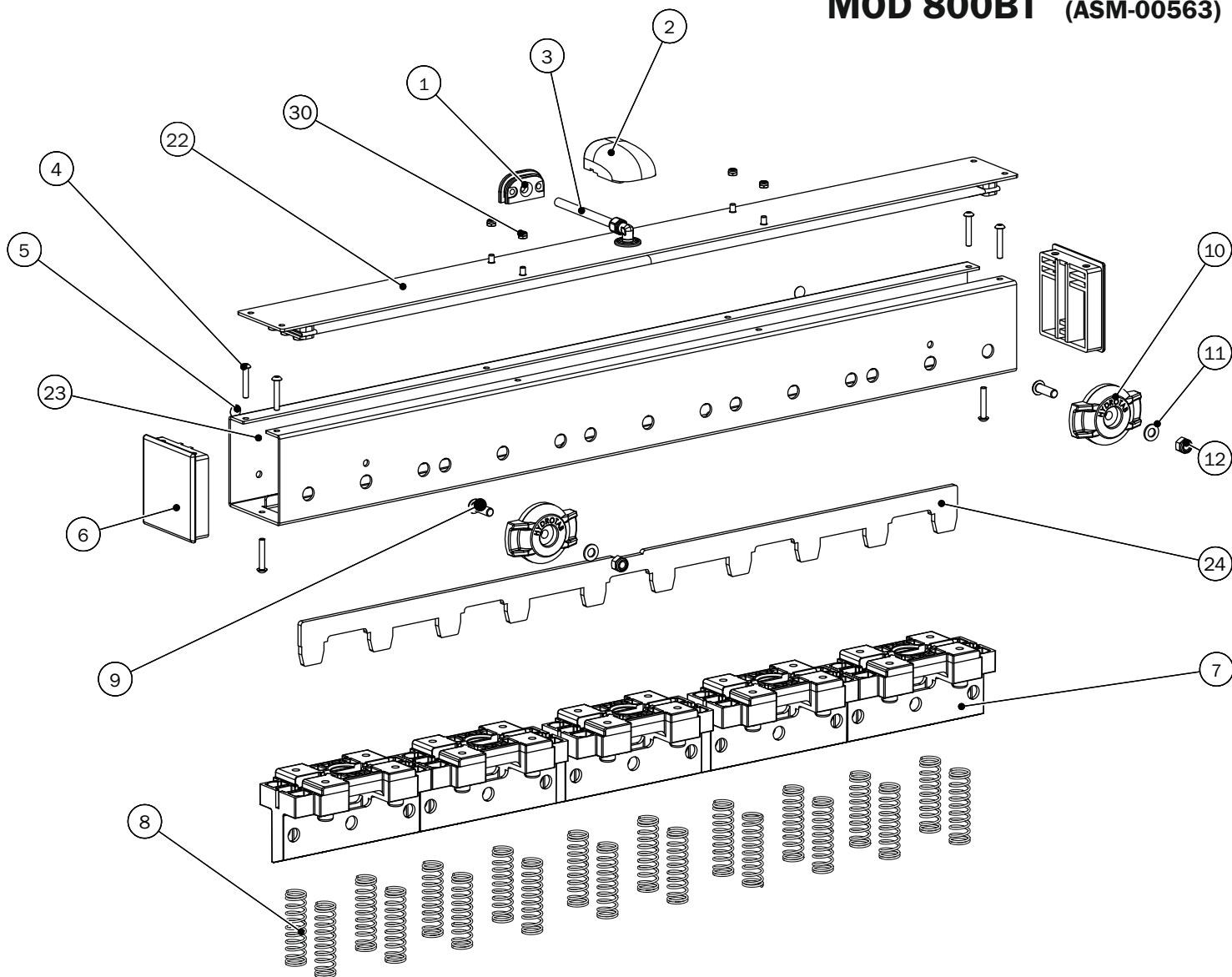
**MOD: 640BT (ASM-00562)**



BOM ID	PartNo	Description	Qty
1	GEN-00306	FITTING COVER FLANGE	1
2	GEN-00305	FITTING COVER	1
3	PNE-01010	PTFE TUBE, 6X8	1
4	FAS-02131	SCREW ISO 7380 - M5 x 30	6
5	STK-00088	STICKER, Ø12	1
6	GEN-00276	REAR CAP	2
7	GEN-00290	BLADE	3
8	SPR-00025	SPRING	12
9	FAS-02142	SCREW ISO 7380 - M8 x 25	1
10	GEN-00279	ANODE	1
11	FAS-01025	WASHER DIN 125 - 8.4	1
12	FAS-02209	PREVAILING TORQUE NUT ISO 7040 - M8	1
19	ASM-00552	TUBULAR ASSY 640BT	1
20	LAS-00481	HOUSING 640BT	1
21	LAS-00491	HOLDING BLADE PLATE 640BT	1

Spare parts list

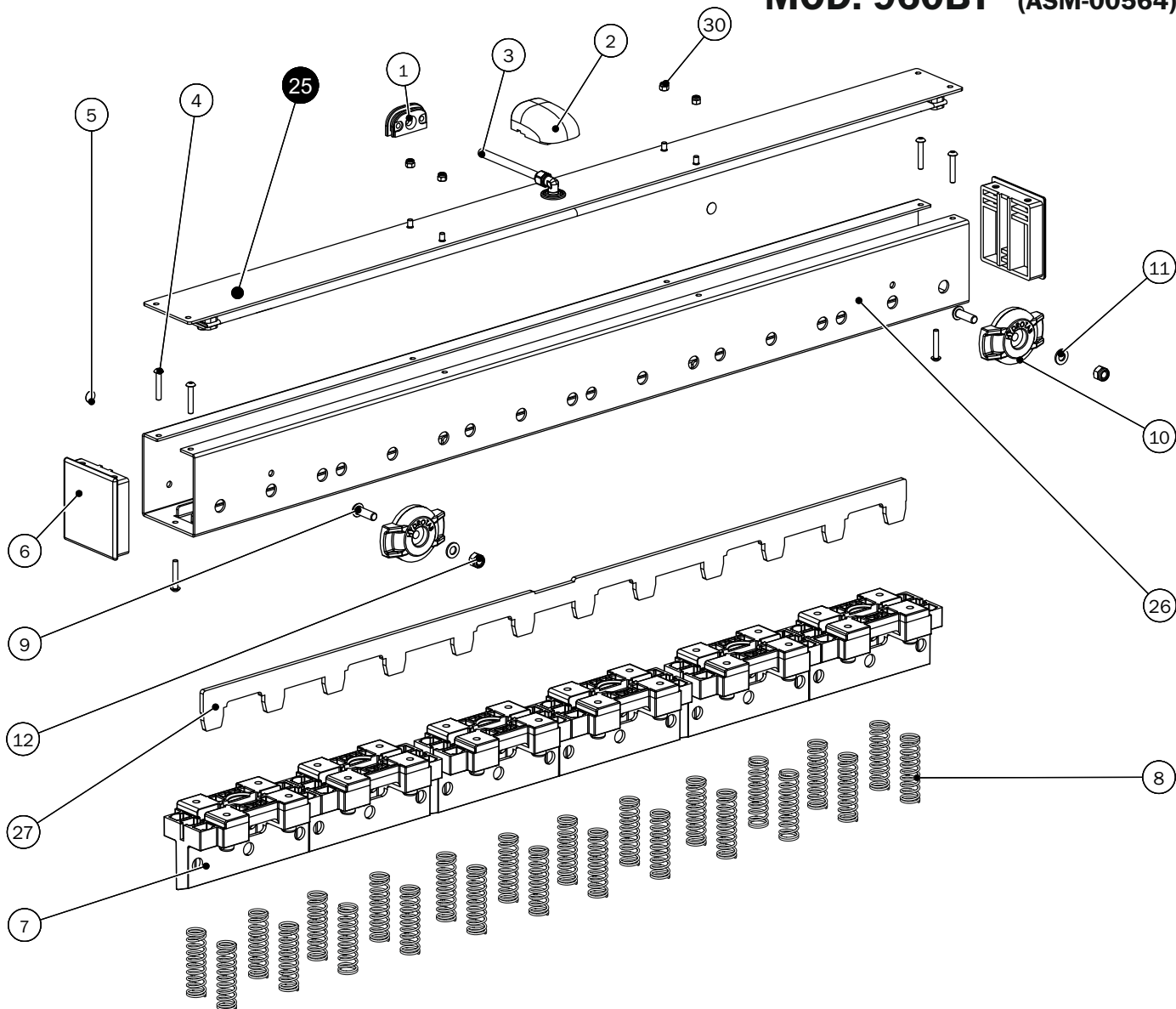
**MOD 800BT (ASM-00563)**



BOM ID	PartNo	Description	Qty
1	GEN-00306	FITTING COVER FLANGE	1
2	GEN-00305	FITTING COVER	1
3	PNE-01010	PTFE TUBE, 6X8	1
4	FAS-02131	SCREW ISO 7380 - M5 x 30	6
5	STK-00088	STICKER, Ø12	2
6	GEN-00276	REAR CAP	2
7	GEN-00290	BLADE	5
8	SPR-00025	SPRING	20
9	FAS-02142	SCREW ISO 7380 - M8 X 25	2
10	GEN-00279	ANODE	2
11	FAS-01025	WASHER DIN 125 - A 8.4	2
12	FAS-02209	PREVAILING TORQUE NUT ISO 7040 - M8	2
22	ASM-00553	TUBULAR ASSY 800BT	1
23	LAS-00482	HOUSING 640BT	1
24	LAS-00492	HOLDING BLADE PLATE 800BT	1
30	FAS-02207	PREVAILING TORQUE NUT ISO 7040 - M5	4

Spare parts list

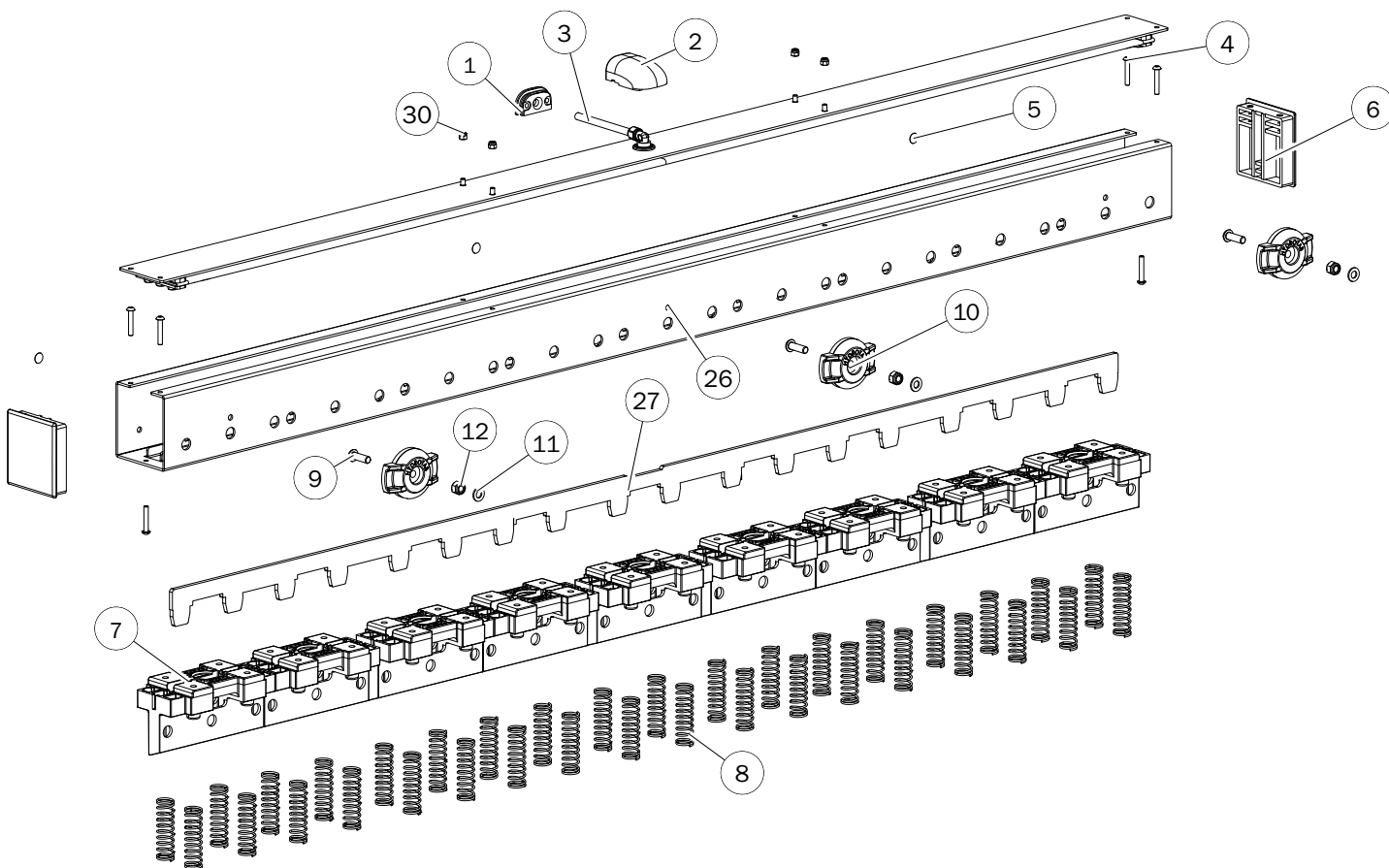
**MOD: 960BT (ASM-00564)**



BOM ID	PartNo	Description	Qty
1	GEN-00306	FITTING COVER FLANGE	1
2	GEN-00305	FITTING COVER	1
3	PNE-01010	PTFE TUBE, 6X8	1
4	FAS-02131	SCREW ISO 7380 - M5 x 30	6
5	STK-00088	STICKER, Ø12	2
6	GEN-00276	REAR CAP	2
7	GEN-00290	BLADE	6
8	SPR-00025	SPRING	24
9	FAS-02142	SCREW ISO 7380 - M8 x 25	2
10	GEN-00279	ANODE	2
11	FAS-01025	WASHER DIN 125 - A 8.4	2
12	FAS-02209	PREVAILING TORQUE NUT ISO 7040 - M8	2
25	ASM-00554	TUBULAR ASSY 960BT	1
26	LAS-00483	HOUSING 960BT	1
27	LAS-00493	HOLDING BLADE PLATE 960BT	1
30	FAS-02207	PREVAILING TORQUE NUT ISO 7040 - M5	4

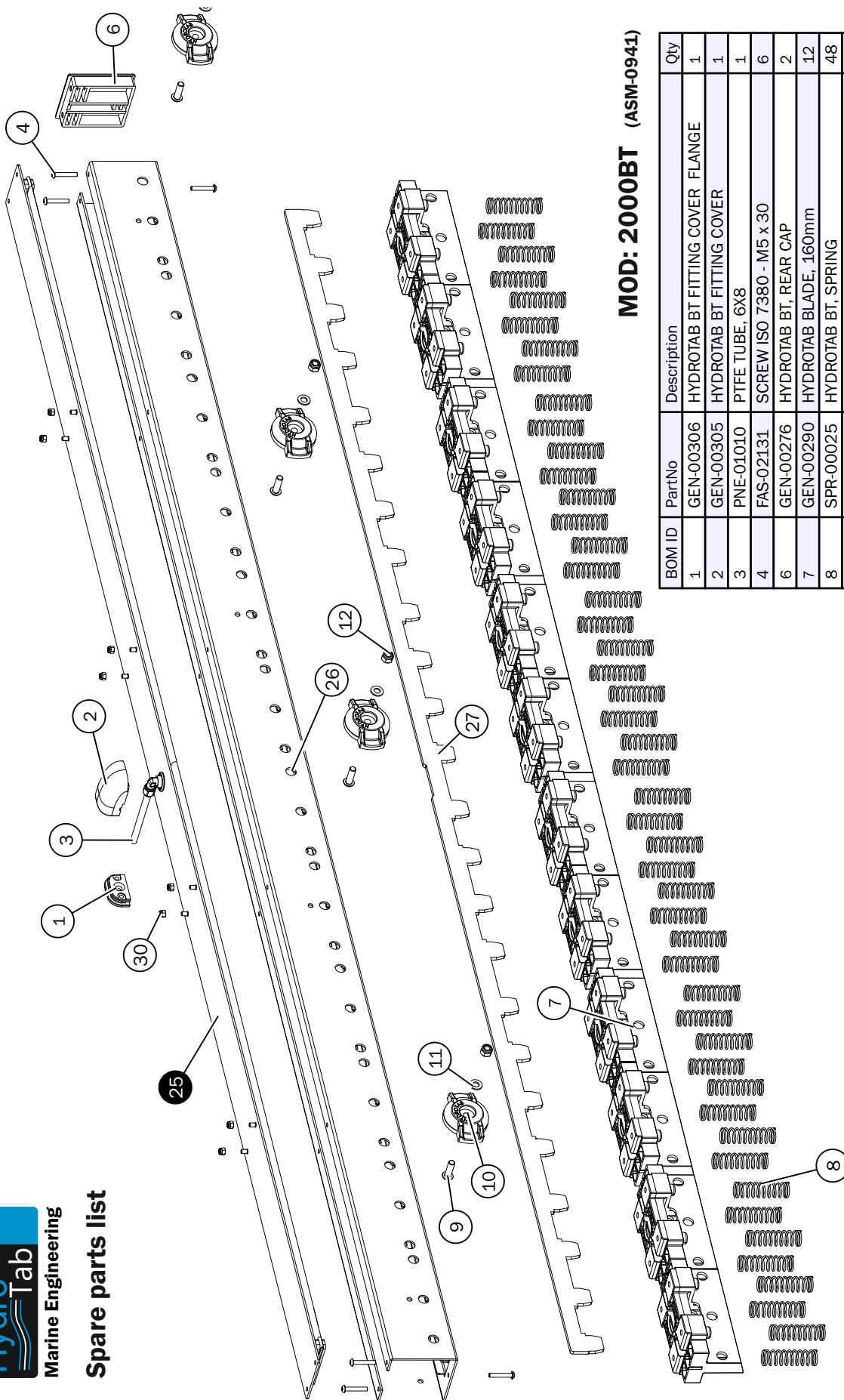
Spare parts list

**MOD: 1500BT (ASM-0940)**



BOM ID	PartNo	Description	Qty
1	GEN-00306	HYDROTAB BT FITTING COVER FLANGE	1
2	GEN-00305	HYDROTAB BT FITTING COVER	1
3	PNE-01010	PTFE TUBE, 6X8	1
4	FAS-02131	SCREW ISO 7380 - M5 x 30	6
5	STK-00088	STICKER, Ø12	3
6	GEN-00276	HYDROTAB BT, REAR CAP	2
7	GEN-00290	HYDROTAB BLADE, 160mm	9
8	SPR-00025	HYDROTAB BT, SPRING	36
9	FAS-02142	SCREW ISO 7380 - M8 x 25	3
10	GEN-00279	HYDROTAB "T" SERIES, ANODE	3
11	FAS-01025	WASHER DIN 125 - A 8.4	3
12	FAS-02209	PREVAILING TORQUE NUT ISO 7040 - M8	3
26	LAS-00832	HOUSING, HYDROTAB 1500BT	1
27	LAS-00834	HOLDING BLADE PLATE, HYDROTAB 1500BT	1
30	FAS-02207	PREVAILING TORQUE NUT ISO 7040 - M5	4

**Spare parts list**

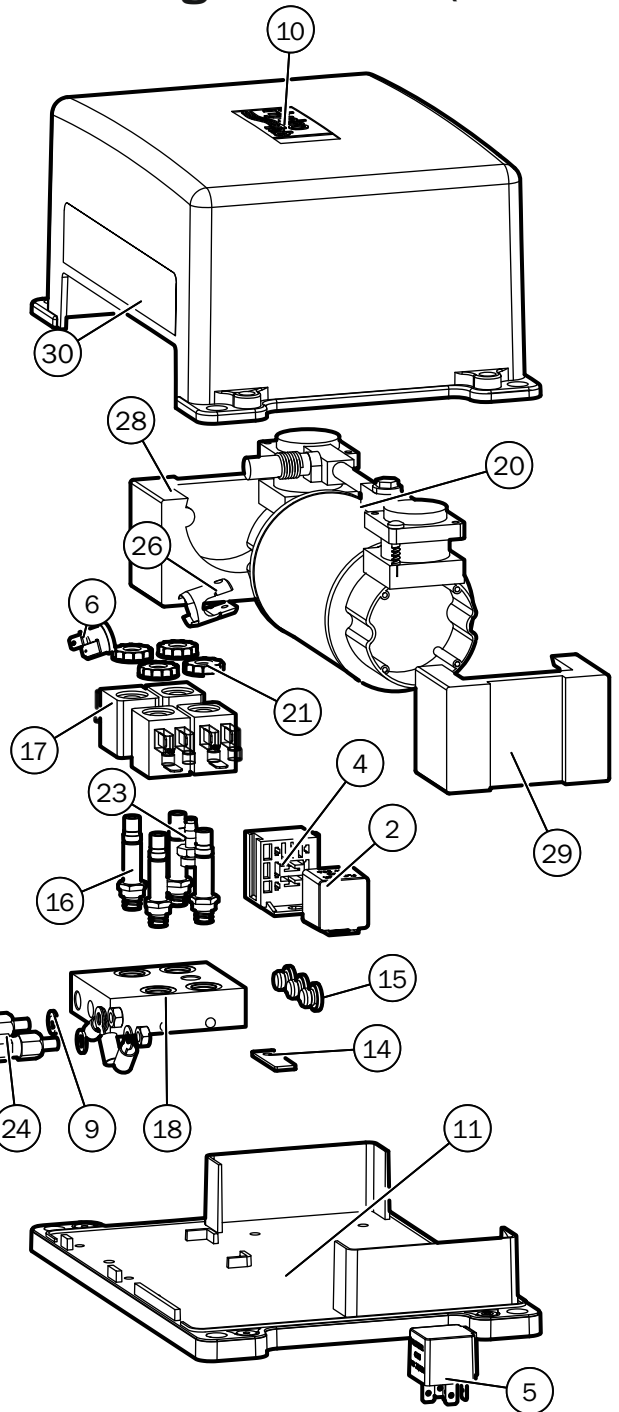
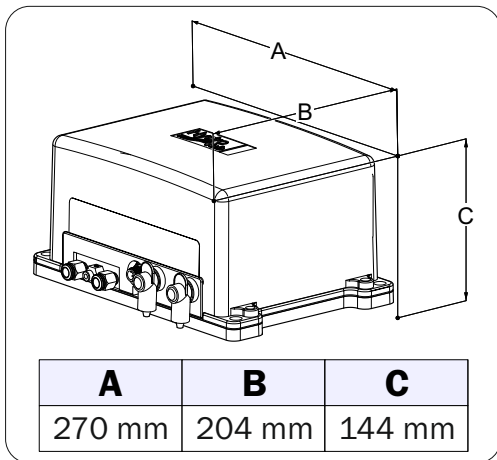


**MOD: 2000BT (ASM-0941)**

BOM ID	PartNo	Description	Qty
1	GEN-00306	HYDROTAB BT FITTING COVER FLANGE	1
2	GEN-00305	HYDROTAB BT FITTING COVER	1
3	PNE-01010	PTFE TUBE, 6X8	1
4	FAS-02131	SCREW ISO 7380 - M5 x 30	6
6	GEN-00276	HYDROTAB BT, REAR CAP	2
7	GEN-00290	HYDROTAB BLADE, 160mm	12
8	SPR-00025	HYDROTAB BT, SPRING	48
9	FAS-02142	SCREW ISO 7380 - M8 x 25	4
10	GEN-00279	HYDROTAB "T" SERIES, ANODE	4
11	FAS-01025	WASHER DIN 125 - A 8.4	4
12	FAS-02209	SCREW ISO 7040-M8	4
25	ASM-01042	TUBULAR ASSY, HYDROTAB 1500BT	1
26	LAS-00835	HOUSING, HYDROTAB 2000BT	1
27	LAS-00837	HOLDING BLADE PLATE, HYDROTAB 2000BT	1
30	FAS-02207	SCREW ISO 7040-M5	8

Spare parts list

Single Air Unit (ASM-01051)



BOM ID	PartNo	Description	Qty	BOM ID	PartNo	Description	Qty
1	ELE-00106	TERMINAL, $\Phi 6$ , YELLOW	5	18	PNE-00926	AIR UNIT VALVE BASE, 72x60x20	1
2	ELE-00337	MINIRELAY FLOSSER 2262 12V 30A	1	19	PNE-01001	FITTING, STRAIGHT, 1/8- $\Phi 8$ , FOR AIR UNIT	2
4	ELE-00372	RELAY BASE	1	20	PNE-01107	COMPRESSOR, 18VDC, HYDROTAB (V.2016)	1
5	ELE-00374	MINIRELAY FLOSSER 4268 24V 20/30A	1	21	PNE-01113	KNURLED NUT WITH M8 THREAD	4
6	ELE-00533	THERMOSTAT	1	23	REV-00184	FITTING, CUSTOM, 1/8, HOLE: 3.2	1
7	ELE-00535	M12, 5PIN PCB MALE CONNECTOR, PLASTIC MATERIAL	1	24	REV-00304	COMPRESSOR TERMINAL	2
8	FAS-02323	NUT FOR AIR UNIT	4	25	REV-00305	FITTING, CUSTOM, FOR AIR UNIT	1
9	FAS-02324	WASHER FOR AIR UNIT	4	26	REV-00422	THERMAL RELAY RECEPTACLE	1
10	GEN-00156	HYDROTAB AIR UNIT, TOP COVER	1	27	RUB-00102	HYDROTAB AIR UNIT FRONT COVER	1
11	GEN-00157	HYDROTAB AIR UNIT, FS, BASE	1	28	RUB-00132	RUBBER MOUNT FOR COMPRESSOR (MALE)	1
14	LAS-00542	RELAY HOLDING FLANGE	1	29	RUB-00133	RUBBER MOUNT FOR COMPRESSOR (FEMALE)	1
15	PNE-00072	PLUG, MALE, PARALLEL, 1/8	3	30	STK-00086	STICKER, FRONT, AIR UNIT	1
16	PNE-00552	CANNOTTO NO $\Phi 9$ 3/2 6W 09F07401A30NN	4	34	ELE-00369	TERMINAL INSULATOR CAP, BLACK	1
17	PNE-00924	COIL EVI 7/9 10W	4	35	ELE-00368	TERMINAL INSULATOR CAP, RED	1



## Warranty Conditions

All Hydrotab interceptors and accessories are provided with a five (5) years operation warranty.

The return springs and electrical parts come with a two (2) year warranty.

The anodes (consumables) are not included in the warranty.

Hydrotab's warranty only covers the availability of spare parts.

The warranty period starts from the sale of the product and invoice issue at the end-user.

If the product has been purchased by a dealer, the warranty period starts by the invoice issue at the end-user.

The authorized dealer is in charge of the product's service.

The cost of dismantling - assembly and spare parts transportation is borne by the user.

For any services or spare parts requirements during warranty period the original invoice is necessary to be presented.

For the replacement of any part of the system (interceptors, Air Unit, any controller etc.) under warranty, the replaced parts must be returned to Hydrotab Marine Engineering for inspection, otherwise warranty is not valid.

The warranty does not foresee, under any circumstances, replacement of the whole Hydrotab system.

### **What is not covered by the warranty:**

- Damage caused by the lack or non-replacement of worn anodes.
- Damage caused by improper installation and use not consistent with the manual.
- Damage with external visible deformation of the product caused by misuse of the user or other external causes.
- Damage to any component caused during transportation, installation or repair from non-authorized personnel.
- Conversions or modifications made after the initial sale.

N. Triantafyllis Ltd is not liable for incidental, indirect or consequential damages or losses, including, without limitation, travel expenses, transport, lifting and hauling costs, loss of income, loss of time, loss of property, loss of profits, personal injury or damage of any products, different from those that the company distributes.

Any further (except the above mentioned) commitment of the intermediate dealer regarding the sale terms or servicing of Hydrotab products does not create any liability of our company.



4, Papazoglou str.  
GR-17778 Athens  
Greece  
email: [info@hydrotab.gr](mailto:info@hydrotab.gr)  
website: [www.hydrotab.gr](http://www.hydrotab.gr)