

HIGH PERFORMANCE
MARITIME
PRODUCTS

em-trak B360

Class B AIS Transceiver



Product manual

em-trak 
High Performance Marine Products

www.em-trak.com

Thank you for buying this AIS Class B transceiver.

This product has been engineered to offer you the highest level of performance and durability and we hope that it will provide many years of reliable service. We constantly strive to achieve the highest possible quality standards, should you encounter any problems with this product, please contact your dealer who will be pleased to offer whatever assistance you require.

Table of contents

1 - Notices	1
1.1 - Safety warnings	1
1.2 - General notices	1
2 - About your AIS class B transceiver	4
2.1 - About AIS	4
2.2 - Static and dynamic vessel data	4
2.3 - Important information for US customers	5
2.4 - Special Features	5
2.5 - What's in the box?	6
3 - Installation	10
3.1 - Preparing for Installation	10
3.2 - Installation procedures	12
4 - Configuring your AIS transceiver	24
4.1 - Switching on your AIS transceiver for the first time	24
4.2 - Configuring your AIS transceiver	24
4.3 - Introduction to proAIS2	24
4.4 - Installing proAIS2	25
4.5 - Configuration using proAIS2	25
5 - Operation	26
5.1 - Using the AIS transceiver	26
5.2 - Switch functions	26
5.3 - Using proAIS2 with your AIS transceiver	26
5.4 - Indicator functions	27
6 - Using the Anti-Tamper Feature	29
6.1 - To enable the anti-tamper feature:	29
6.2 - To unlock a locked AIS transceiver:	29
6.3 - To disable the anti-tamper feature	29
7 - Wi-Fi Configuration and Operation	31
8 - Vessel Data Logger Configuration	32
9 - Troubleshooting	33
10 - Specifications	34

Table of figures

Figure 1	Items included with the product	6
Figure 2	AIS transceiver overview	8
Figure 3	Electrical connections to the AIS transceiver	9
Figure 4	Typical installation configuration	10
Figure 5	Anti-Tamper Plate installation	12
Figure 6	AIS transceiver dimensions	14
Figure 7	AIS transceiver mounting	15
Figure 8	GPS antenna mounting	16
figure 9	Position of the GPS antenna connector	17
Figure 10	Position of the VHF antenna connector	18
Figure 11	Connecting an external switch	20
Figure 12	Connecting to the NMEA0183 data port	21
Figure 13	Connecting the power supply	23
Figure 14	Indicator location on the AIS transceiver unit	27

1 Notices



When reading this manual please pay attention to warnings marked with the warning triangle shown on the left. These are important messages for safety, installation and usage of the product.

1.1 Safety warnings



This equipment must be installed in accordance with the instructions provided in this manual.



This AIS transceiver is an aid to navigation and must not be relied upon to provide accurate navigation information. AIS is not a replacement for vigilant human lookouts and other navigation aids such as RADAR. The performance of the transceiver may be seriously impaired if not installed as instructed in the user manual, or due to other factors such as weather and or nearby transmitting devices. Compatibility with other systems may vary and is reliant on the third party systems recognising the standard outputs from the transceiver. The manufacturer reserves the right to update and change these specifications at any time and without notice.



Do not install this equipment in a flammable atmosphere such as in an engine room or near to fuel tanks.

1.2 General notices

Position source

All marine Automatic Identification System (AIS) transceivers utilise a satellite based location system such as the Global Positioning Satellite (GPS) network.

The accuracy of a GPS position fix is variable and is affected by factors such as the antenna positioning, how many satellites are used to determine a position and for how long satellite information has been received.

Compass safe distance

The compass safe distance of this unit when used without the anti-tamper plate is 0.2m or greater for 0.3° deviation. When the anti-tamper plate is used the compass safe distance is 0.7m or greater.

RF emissions notice

Caution: The AIS transceiver generates and radiates radio frequency electromagnetic energy. This equipment must be installed and operated according to the instructions contained in this manual. Failure to do so can result in personal injury and / or AIS transceiver malfunction.

Caution: Never operate the AIS transceiver unless it is connected to a VHF antenna.

To maximise performance and minimise human exposure to radio frequency electromagnetic energy you must make sure that the antenna is mounted at least 1.5 metres away from the AIS transceiver and is connected to the AIS transceiver before power is applied. The system has a Maximum Permissible Exposure (MPE) radius of 1.5m. This has been determined assuming the maximum power of

the AIS transceiver and using antennas with a maximum gain of 3dBi. The antenna should be mounted 3.5m above the deck in order to meet RF exposure requirements. Higher gain antennas will require a greater MPE radius. Do not operate the unit when anyone is within the MPE radius of the antenna (unless they are shielded from the antenna field by a grounded metallic barrier). The antenna should not be co-located or operated in conjunction with any other transmitting antenna. The required antenna impedance is 50 Ohms.

Warranty

This product is supplied with standard warranty as defined in the accompanying warranty information.



Any attempt to tamper with or damage this product will invalidate the warranty.

Disposal of this product and packaging

Please dispose of the AIS transceiver in accordance with the European WEEE Directive or with the applicable local regulations for disposal of electrical equipment.

Every effort has been made to ensure the packaging for this product is recyclable. Please dispose of the packaging in an environmentally friendly manner.

Accuracy of this manual

The AIS transceiver may be upgraded from time to time and future versions of the AIS transceiver may therefore not correspond exactly with this manual. Information contained in this manual is liable to change without notice. The manufacturer of this product disclaims any liability for consequences arising from omissions or inaccuracies in this manual and any other documentation provided with this product.

Declaration of conformity

The manufacturer of this product declares that this product is in compliance with the essential requirements and other provisions of the Radio Equipment Directive. The declaration of conformity is provided with the product document pack.

The product carries the CE mark as required by the Radio Equipment Directive.



FCC notice

This equipment has been tested and found to comply with the limits for a class B digital device, pursuant to part 15 of the FCC Rules. These limits are designed to provide reasonable protection against harmful interference in a residential installation. This equipment generates, uses and can radiate radio frequency energy and, if not installed and used in accordance with the instructions, may cause harmful interference to radio communications.

This device complies with part 15 of the FCC Rules. Operation is subject to the following two conditions: (1) This device may not cause harmful interference, and (2) this device must accept any interference received, including interference that may cause undesired operation.

Changes or modifications not expressly approved by the party responsible for compliance could void the user's authority to operate the equipment.



WARNING: It is a violation of the rules of the Federal Communications Commission to input an MMSI that has not been properly assigned to the end user, or to otherwise input any inaccurate data in this device.

Industry Canada notice

This device complies with Industry Canada licence-exempt RSS standard(s). Operation is subject to the following two conditions:

1. This device may not cause interference, and
2. This device must accept any interference, including interference that may cause undesired operation of the device.

This Class B digital apparatus complies with Canadian ICES-003.

Le présent appareil est conforme aux CNR d'Industrie Canada applicables aux appareils radio exempts de licence. L'exploitation est autorisée aux deux conditions suivantes:

1. L'appareil ne doit pas produire de brouillage, et
2. L'utilisateur de l'appareil doit accepter tout brouillage radioélectrique subi, même si le brouillage est susceptible d'en compromettre le Fonctionnement.

Cet appareil numérique de la classe B est conforme à la norme NMB-003 du Canada.

2 About your AIS class B transceiver

2.1 About AIS

The marine Automatic Identification System (AIS) is a location and vessel information reporting system. It allows vessels equipped with AIS to automatically and dynamically share and regularly update their position, speed, course and other information such as vessel identity with similarly equipped vessels. Position is derived from the Global Positioning System (GPS) and communication between vessels is by Very High Frequency (VHF) digital transmissions.

There are a number of types of AIS device as follows:

- **Class A transceivers.** These are similar to class B transceivers, but are designed to be fitted to large vessels such as cargo ships and large passenger vessels. Class A transceivers transmit at a higher VHF signal power than class B transceivers and therefore can be received by more distant vessels. They also transmit Class A transceivers are mandatory on all vessels over 300 gross tonnes on international voyages and certain types of passenger vessels under SOLAS regulations.
- **Class B transceivers.** Similar to class A transceivers in many ways, but are normally lower cost due to the less stringent performance requirements. Class B transceivers transmit at a lower power and at a lower reporting rate than class A transceivers.
- **AIS base stations.** AIS base stations are used by Vessel Traffic Systems to monitor and control the transmissions of AIS transceivers.
- **Aids to Navigation (AtoN) transceivers.** AtoNs are transceivers mounted on buoys or other hazards to shipping which transmit details of their location to the surrounding vessels.
- **AIS receivers.** AIS receivers will generally receive transmissions from class A transceivers, class B transceivers, AtoNs and AIS base stations but do not transmit any information about the vessel on which they are installed.

This product is an AIS Class B transceiver.

2.2 Static and dynamic vessel data


There are two categories of information transmitted by an AIS transceiver: static and dynamic data.

The vessel's dynamic data, which includes location, speed over ground (SOG) and course over ground (COG), is calculated automatically using the internal GPS receiver.

Static data is information about the vessel which must be programmed into the AIS transceiver. This includes:

- Maritime Mobile Service Identity (MMSI)
- Vessel name
- Vessel call sign (if available)
- Vessel type
- Vessel dimensions


In most countries the operation of an AIS transceiver is included under the vessel's marine VHF licence provisions. The vessel on to which the AIS unit is to be installed must therefore possess a current VHF radiotelephone licence which lists the AIS system, vessel Call Sign and MMSI number.

 An MMSI number is required in order for the AIS transceiver to operate. Please contact the relevant authority in your country for more information.

2.3 Important information for US customers

There are specific laws in the USA regarding the configuration of AIS class B transceivers.

If you are a US resident and intend to use your AIS class B transceiver in US waters, you should make sure that your retailer has configured your product prior to supplying it to you. If your AIS transceiver has not been pre-configured please contact your dealer for details of how to have it configured.

 In the United States of America, the MMSI and static data must only be entered by a competent installer. The end user of the equipment is not authorised to enter their own vessel data.

2.4 Special Features

This AIS Transceiver is Wi-Fi enabled, allowing for AIS data to be streamed from the transceiver to a 3rd party device or software "App". The transceiver also provides an in-built vessel data logger which will continuously record its own GPS position and can also be downloaded using proAIS2. The product is also configured with an anti-tamper mechanism, ensuring that when installed it cannot be used on any other vessel.

2.5 What's in the box?

Section Figure 1 shows the items included with your AIS transceiver purchase. The following sections give a brief overview of each item. Please ensure all items are present and if any of the items are not present contact your dealer.

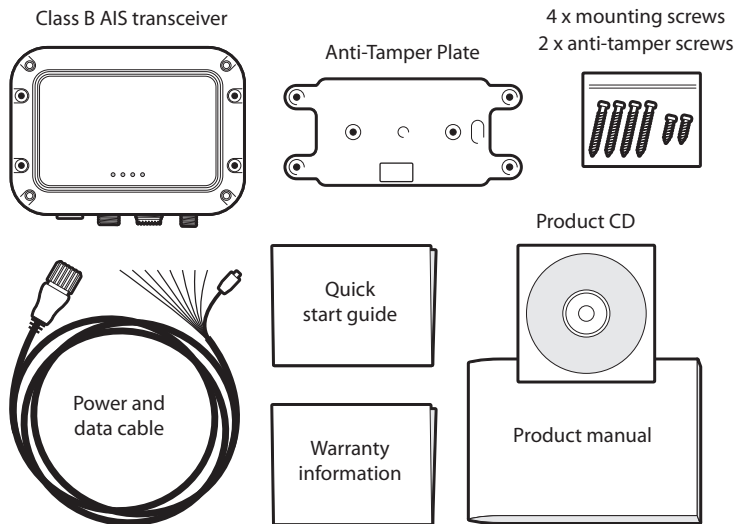


Figure 1 Items included with the product

Support tools CD

The CD supplied with the package contains the following:

- proAIS2 software tool necessary to configure the AIS transceiver. Please refer to section Section 4 for details of the configuration process and how to use the proAIS2 tool.
- USB drivers required to connect to the AIS transceiver via USB.
- Alternative language versions of this manual.

Quick start guide

The quick start guide gives a handy one page reference for the installation process.

Product manual

This document is the product manual and should be read thoroughly prior to any attempt to install or use the AIS transceiver.

Fixing screws

Four fixing screws are provided with the product for mounting of the AIS transceiver. Please refer to section Section 3.2 for details of how to mount the AIS transceiver.

Two additional security head fixing screws are provided for the anti-tamper plate.

AIS transceiver unit

Section Figure 2 shows an overview of the AIS transceiver unit.

The AIS transceiver has a number of indicators which provide information to the user about the status of the AIS transceiver. Please refer to section Section 5.4 for more details of indicator functions.

The AIS transceiver has an internal GPS antenna. You should ensure that the transceiver is mounted where it has a clear view of the sky, or alternatively connect an external GPS antenna which is available from your dealer as an accessory.

Power, data and USB cable

The power and data cable connects to the AIS transceiver and enables connection to power, NMEA0183, external silent mode switch and USB.



Do not attempt to adjust or remove the fixings next to each of the four mounting holes. These fixings form part of the sealing of the AIS transceiver and any modification could affect the product's performance and will invalidate the product's warranty.

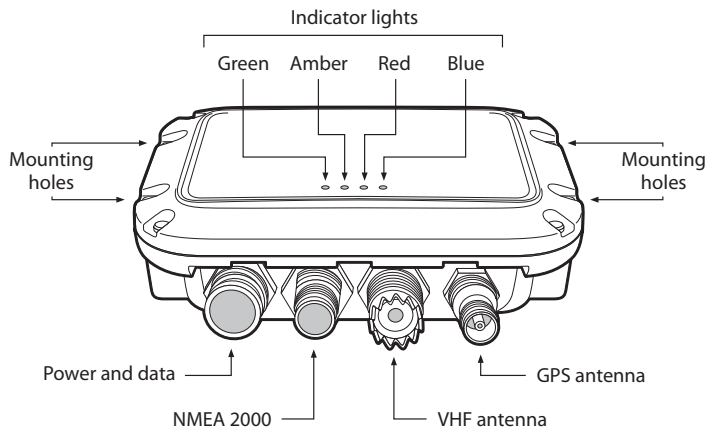


Figure 2 AIS transceiver overview

Electrical connections

The AIS transceiver has the following electrical connections:

- Power supply
- NMEA0183 data port for connection to chart plotters or other NMEA0183 compatible equipment
- USB for connection to a computer
- External switch input for silent mode control
- NMEA2000 port for connection to NMEA2000 compatible equipment

In addition there are two other connections for the VHF antenna and an optional external GPS antenna. Section Figure 3 shows an overview of the electrical connections to the AIS transceiver.

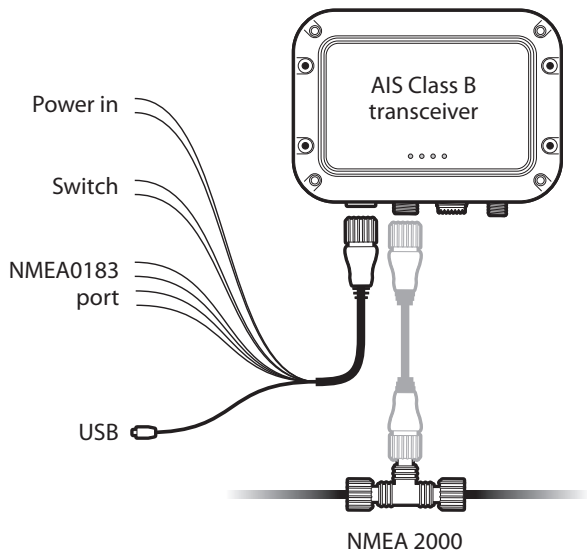


Figure 3 Electrical connections to the AIS transceiver

3 Installation

3.1 Preparing for Installation

Section Figure 4 shows a typical installation configuration for the AIS transceiver. Please take the time to familiarise yourself with the system elements and their connections prior to attempting installation.

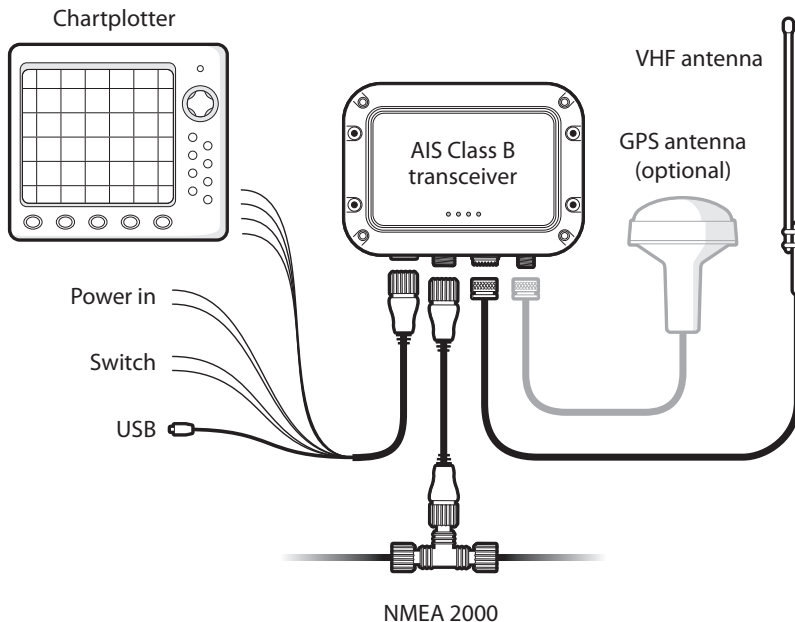


Figure 4 Typical installation configuration

In addition to the items provided with your AIS transceiver the following items will be required for installation:

VHF antenna

Connection to a suitable VHF antenna will be required for the AIS transceiver to operate. A standard marine band VHF antenna such as that used with VHF voice radios will be sufficient. Please take note of the warnings in section Section 1 regarding the use of antennas. Alternatively, if you wish to use an existing VHF antenna, antenna splitter products are available which allow the existing antenna to be used with two radio devices, such as a VHF voice radio and the AIS transceiver.



When selecting an AIS antenna splitter make sure it is capable of operation with an AIS transceiver. Some AIS antenna splitters are designed to work only with AIS receivers. Please check with your dealer to ensure you purchase the correct type of antenna splitter.

Optional external GPS antenna

The transceiver has an internal GPS antenna. When the transceiver is mounted in a location with a clear sky view (for example, beneath a windshield or other non-metallic structure) an external GPS antenna is not required. Should it not be possible to mount the transceiver in a suitable location then an external GPS antenna can be connected. A compatible GPS antenna is available from your dealer as an accessory.

Optional switch

A switch can be connected to the transceiver to enable and disable 'silent mode' (see section Section 3.2). A latching toggle switch is required to use this feature.

VHF antenna cable

Please check that the VHF antenna you intend to use has sufficient cable to reach between the VHF antenna and the AIS transceiver unit. If it is not sufficient you will need an extension cable. Please contact your dealer for details of suitable products. For reference the VHF antenna connector type on the AIS transceiver unit is SO-239, and is intended to mate with a PL 259 connector.

Power and data cable

The AIS transceiver unit is supplied with a two metre long power and data cable as an accessory. If you require longer cables to reach your power supply, please ensure the cables are capable of carrying currents of up to 2A peak and 200mA on average. Means of connecting the cables together will also be required. The use of Scotchlok™ connectors is recommended for this purpose.

Chart plotter

To display received AIS messages as other vessels on your chart plotter, you will need to connect your AIS transceiver to your chart plotter. Please refer to the user manual supplied with your chart plotter for details of how to connect and configure your chart plotter for use with AIS devices. For general guidance your chart plotter should be configured to accept NMEA data at 38400 baud (sometimes referred to as 'NMEA HS' in the plotter configuration menu). You may also need to enable the display of AIS targets in the chart options.

Alternatively if you use an NMEA2000 network on your vessel it is possible to connect the AIS transceiver to the NMEA2000 network via a suitable cable. Please refer to your dealer for details of NMEA2000 cables.

Anti-Tamper Screwdriver Bit

If you wish to install the anti-tamper plate, you will need to source the appropriate driver bit for a Type 7 Button Head screw.

Connection to a computer

If you choose to use a computer with suitable charting software to display received AIS messages as other vessels, this can be accomplished by connecting the USB connector on the supplied power and data cable.

3.2 Installation procedures

Before beginning installation of your AIS transceiver, please ensure you have the necessary additional items as detailed in section Section 3.1. It is strongly recommended that you read all of the instructions in this manual prior to installation.

If after reading this manual you are unsure about any element of the installation process please contact your dealer for advice.

The following sections explain the installation process step by step for each of the main elements of the system.

Step 1 - Installing the Anti-Tamper Plate

If the anti-tamper plate is not required, this step can be skipped and the installation started from Step 2.

Prior to mounting the AIS Transceiver, the anti-tamper plate should be installed. This is fixed in the location that you wish to install the transceiver and is secured with the self-tapping anti-tamper screws provided. See Section Figure 5 for details. The AIS Transceiver is then installed above this as detailed in Step 2.

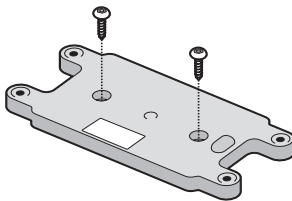


Figure 5 Anti-Tamper Plate installation



The anti-tamper feature will only operate if the plate is installed as shown above and the feature is switched on in the product configuration as described in Section 4.5. If the feature is switched on and the anti-tamper plate is not installed your product will not operate.

Step 2 - Installing the AIS transceiver

Please note the following guidelines when selecting a location for your AIS transceiver:

- The AIS transceiver must be fitted in a location where it is at least 0.7m (0.2m when not using the anti-tamper plate) from a compass or any magnetic device.
- There should be adequate space around the AIS transceiver for routing of cables. See Section Figure 6 for details of the AIS transceiver dimensions.

- The ambient temperature around the AIS transceiver should be maintained between -25°C and $+55^{\circ}\text{C}$.
- The AIS transceiver should not be located in a flammable or hazardous atmosphere such as in an engine room or near to fuel tanks.
- The AIS transceiver is fully waterproof to ingress protection rating IPx7, however it is recommended that the AIS transceiver is not subjected to extended periods of exposure to spray or submersion.
- It is recommended that the AIS transceiver is installed in a 'below decks' environment.
- It is acceptable to mount the AIS transceiver either vertically or horizontally.
- The product is supplied with four self-tapping screws for attachment of the AIS transceiver to the anti-tamper plate.
- The AIS transceiver should be mounted in a location where the indicators are readily visible as these provide important information on the status of the AIS transceiver.
- If the internal GPS antenna is used the AIS transceiver should be mounted in a location with a clear sky view. The internal GPS antenna is mounted below the top surface of the transceiver enclosure.

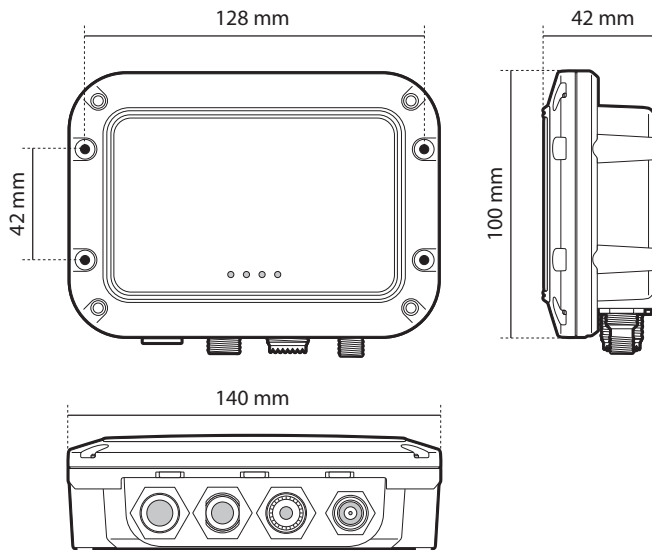


Figure 6 AIS transceiver dimensions

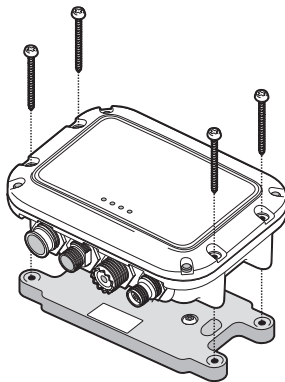


Figure 7 AIS transceiver mounting

Step 3 - Installing an optional external GPS antenna

For mounting of the optional external GPS antenna you will require a one inch 14 TPI thread pole.

You should ensure the GPS antenna has a good clear view of the entire sky.

It is not recommended that the GPS antenna is mounted up a mast where the motion of the vessel will cause the antenna to swing and potentially reduce the accuracy of the GPS position.

Do not mount your antenna in the direct path of a radar transmitter.

Feed the ten metre long cable attached to the GPS antenna through the pole and screw the antenna onto the pole mount as shown in Section Figure 8.

Route the cable to your AIS transceiver unit, adding any necessary extension cables.

Connect the cable from the GPS antenna to the GPS connector on the AIS transceiver as shown in Section Figure 9.

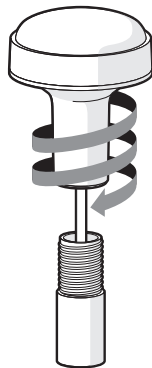


Figure 8 GPS antenna mounting

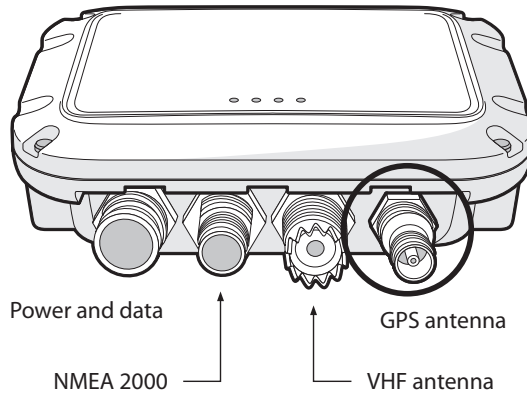


Figure 9 Position of the GPS antenna connector

Step 4 - Connecting the VHF antenna

Route the cable from the VHF antenna to the AIS transceiver and connect to the VHF connector on the AIS transceiver as shown in Section Figure 10.

A standard marine band VHF antenna or AIS antenna should be used with the AIS transceiver. The connector type on the AIS transceiver is SO-239. Your chosen VHF antenna requires a PL259 connector to mate with this. If your VHF antenna does not use this type of connector please contact your dealer for details of available adapters.

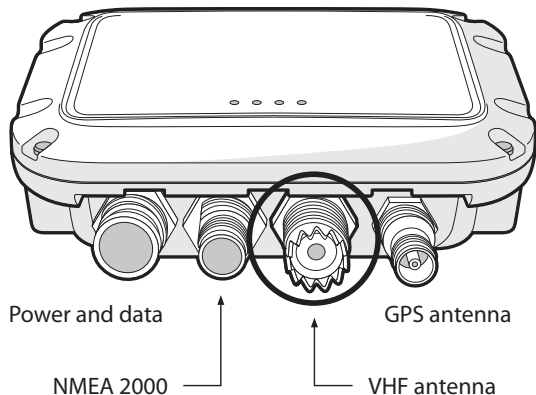


Figure 10 Position of the VHF antenna connector

Step 5 - Connecting the accessory cable

An accessory cable is supplied with the product to provide connections to power, the external switch, the NMEA0183 data port and USB. The cable has a pre-moulded connector at one end which should be connected to the connector on the unit marked 'PWR/DATA'. The other end of the cable has eight colour coded bare wires ready for connection and a USB connector for use with a computer. Section Table 1 lists the function of each colour coded wire for reference.

Wire colour	Description	Function
Red	Power in +	Power supply connections
Black	Power in -	
Green	Switch input-	External switch connection for silent mode
Orange	Switch input+	
Brown	NMEA0183 port TX+	High speed NMEA0183 port (38,400baud)
Blue	NMEA0183 port TX-	
Purple	NMEA0183 port RX+	
Yellow	NMEA0183 port RX-	

Table 1 Colour coding of wires in the accessory cable



Please check your wiring very carefully before applying power to the product. Failure to wire the product correctly could result in permanent damage.

Step 6 - Connecting an external switch

A toggle switch can be connected to the AIS transceiver to provide remote control of silent mode.

Connect the toggle switch between the light green and orange wires as shown in Section Figure 11. Connection of an external switch to toggle silent mode is optional and not essential for normal operation of the product.



Do not connect a voltage source across the switch inputs as this may damage the transceiver.

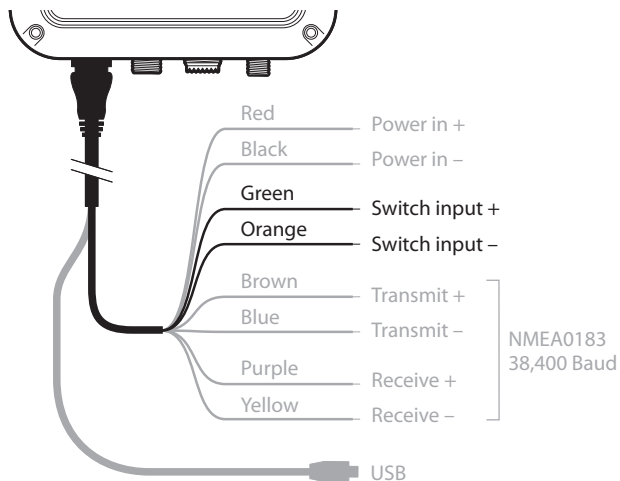


Figure 11 Connecting an external switch

Step 7 - Connecting to NMEA0183 compatible equipment

The NMEA0183 data port provides connection to your chart plotter or other NMEA0183 compatible equipment. The port consists of four wires colour coded as shown in Section Table 1 and Section Figure 12. Connect the wires to the appropriate connections on your NMEA0183 compatible equipment. Please refer to your equipment manual for more information.

The AIS transceiver has a high speed port which operates at 38,400baud. The port is intended primarily to connect to a chartplotter, but can be used to connect to other NMEA0183 devices. Please ensure your equipment is configured to use the correct baud rate.

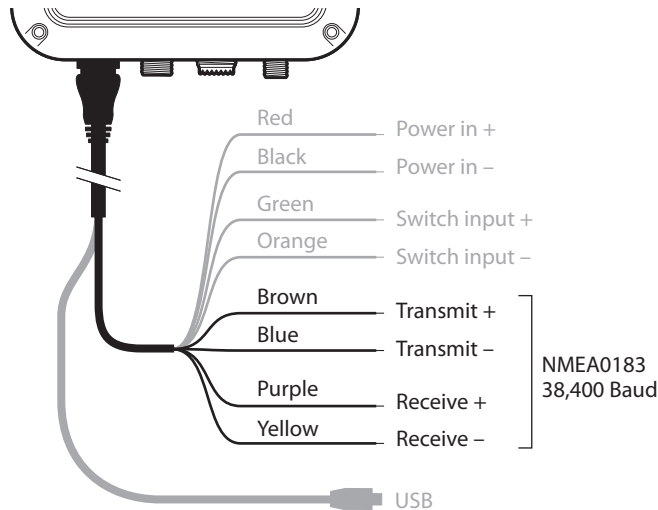


Figure 12 Connecting to the NMEA0183 data port

Step 8 - Connection to an NMEA2000 network (optional)

The AIS transceiver can be connected to an NMEA2000 network by a suitable NMEA2000 network cable available from your local dealer. If your vessel has an NMEA2000 network please refer to the relevant documentation for your NMEA2000 equipment. Once connected, and with your chart plotter also connected to your NMEA2000 network you will be able to receive AIS targets on your chart plotter.

Step 9 - USB Connection (optional)

The AIS transceiver is supplied with a USB port for connection to a computer. The USB connector can be connected directly to the USB port on the computer via the supplied USB cable. To enable connection of the AIS transceiver to a computer the USB drivers must first be installed. This is done automatically when installing proAIS2 or by using Windows update. Driver installation is not required for use with OSX.



If the USB connection is removed from the computer during use you must reset the connection before further use. To reset the connection, disconnect then reapply power to the AIS before closing and relaunching any computer applications using the USB connection. Finally, reconnect the USB cable between the computer and the AIS transceiver.

Step 10 - Connecting to a power supply

The AIS transceiver requires a 12V or 24V power supply typically provided by the vessel's battery.

It is recommended that crimped and soldered lugs are used to connect the AIS transceiver to the power source. It is recommended that the power supply is connected via a suitable circuit breaker and/or 3A fuse block.

1. Connect the red wire to a 12V or 24V power supply positive terminal.
2. Connect the black wire to the supply negative terminal.

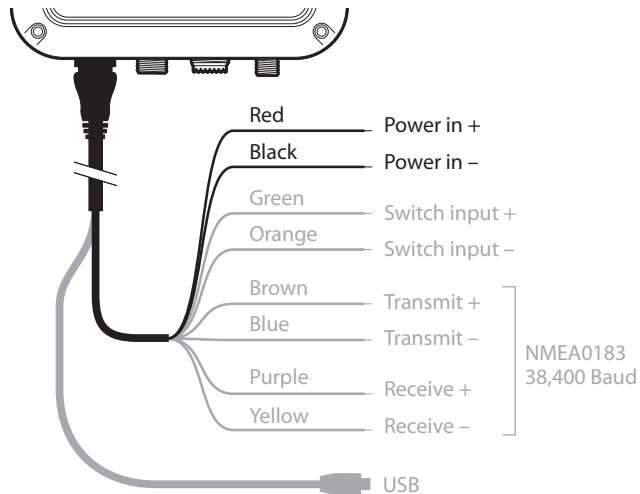


Figure 13 Connecting the power supply

4 Configuring your AIS transceiver

Until correctly configured your AIS class B transceiver will only receive AIS messages and will not transmit AIS messages. By default, the anti-tamper mode of operation is disabled. Section 6 details how this can be configured.

4.1 Switching on your AIS transceiver for the first time

A few seconds after power is applied to the AIS transceiver, the indicators on unit will illuminate in a pattern dependent on the state of the unit. See Section 5.4 for the function of each indicator.

If the AIS transceiver has been pre-configured the amber indicator will illuminate until a transmission has been sent by the unit. This may take several minutes as the transceiver must acquire a GPS position fix prior to transmitting its first message.

If the transceiver has not been pre-configured the amber and red indicators will be illuminated until the configuration process has been completed.

4.2 Configuring your AIS transceiver

There are two ways in which your AIS transceiver can be configured:

1. Configuration in advance by your dealer or installer.

If your AIS transceiver has been configured for you by your dealer or installer you can proceed to section Section 5.

2. Configuration using proAIS2

Providing it is acceptable to do so under your local legislation it is possible to configure your AIS transceiver yourself using the proAIS2 software provided with the product.



US Customers only: It is a violation of the rules of the Federal Communications Commission for the end user to program the vessel data. The vessel data must only be programmed by a competent installer. If your AIS transceiver has not been pre-configured for you please refer to your dealer for advice on how to have the AIS transceiver configured by a competent installer.

4.3 Introduction to proAIS2

Included in the CD supplied with your product is a software tool called 'proAIS2'. proAIS2 provides the facility to configure, monitor and diagnose issues with your AIS transceiver. proAIS2 can provide assistance when ensuring that a satisfactory GPS signal is being received. It can also display alarm messages generated by the transceiver regarding poor VHF antenna quality or that the power being supplied is outside the range specified for operation. proAIS2 can also be used to activate 'silent mode' which disables AIS transmissions.

Section Section 4.4 provides instructions on how to install proAIS2. Section Section 4.5 provides instructions on how to configure the AIS transceiver using proAIS2. Further help on how to use the features of proAIS2 can be found in the 'Help menu within the proAIS2 tool.

proAIS2 is designed to be installed and used with a computer connected to the AIS transceiver via USB using the supplied USB cable.

4.4 Installing proAIS2

1. Insert the CD into your computer then locate and run the setup.exe file on the CD and follow the on-screen prompts.
2. If a security warning appears, click 'Install' to continue with the installation.
3. Once installation is complete, proAIS2 will launch automatically and a start menu folder and shortcut will be created for future use.

4.5 Configuration using proAIS2

For configuration purposes only, it is possible to power the AIS transceiver via its USB connection. This is useful if you wish to configure your AIS transceiver away from the vessel power supply. The AIS transceiver will not transmit any data or acquire a GPS position fix whilst powered by USB.

You will require the following information in order to configure your AIS transceiver:

- MMSI
- Vessel name
- Vessel type
- Call sign
- Vessel dimensions and position of your GPS antenna installation

For further assistance in configuring your AIS transceiver please refer to the Help menu within proAIS2.



Please ensure that you enter all vessel data accurately. Failure to do so could result in other vessels failing to identify your vessel correctly. The vessel MMSI can only be programmed once using proAIS2, please take care to program your MMSI correctly. If you need to change the MMSI for any reason, please contact your dealer who will arrange to have the MMSI reset.

5 Operation

5.1 Using the AIS transceiver

Once the unit has been configured it is ready for use. Providing other vessels with AIS transceivers installed are within radio range of your vessel you should see their details appear on your chart plotter or PC. These vessels will also be able to see your vessel on their chart plotter or PC. It may take up to six minutes for your full vessel details to be visible to others.

Specific details of how to configure your chart plotter to make use of the AIS transceiver features will be given in your chart plotter manual. If you are using charting software running on a PC, please refer to the instructions provided with your chart plotting software for details of how to configure it to display AIS information.

5.2 Switch functions

When connected to the AIS transceiver following the instructions in section Section 3.2 an external switch provides the ability to set the AIS transceiver into 'silent mode'. In silent mode the transmission of your own vessel position ceases, whilst the reception of other vessel's AIS position continues. You should use silent mode if you do not wish your vessel data to be received by other AIS devices. When silent mode is active the blue indicator will be illuminated.



When silent mode is active other vessels will not be able to receive your vessel information on their AIS devices. Your navigational safety may be compromised as a result.

5.3 Using proAIS2 with your AIS transceiver

The proAIS2 tool has a range of features to help monitor the performance of your AIS transceiver. To use the full range of features your AIS transceiver must be installed as described in section Section 3 and connected to a PC running the proAIS2 application. Follow the instructions provided in the help menu within proAIS2.

5.4 Indicator functions

The AIS transceiver includes four coloured indicators as shown in Section Figure 14. The state of the indicators provides information regarding the status of the AIS transceiver.

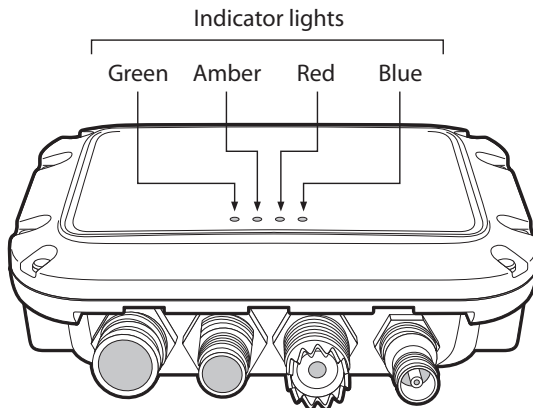

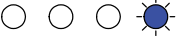




Figure 14 Indicator location on the AIS transceiver unit

The meaning of typical indicator configurations is shown in the table below and Section Figure 14 shows the orientation of the AIS transceiver.

	<p>Green indicator The AIS transceiver is powered up, has a position fix and has transmitted at least one vessel information report.</p>
--	--

	<p>Red indicator</p> <p>The AIS transceiver has detected a system error. The likely causes of this are detailed in the troubleshooting guide in section Section 9. Diagnostic messages displayed in proAIS2 may also help troubleshoot the cause of the error.</p>
	<p>Blue indicator</p> <p>When silent mode is activated using the optional silent mode switch the blue indicator is illuminated to show that the transmitter is disabled.</p>
	<p>Amber indicator</p> <p>The AIS transceiver is in 'transmit timeout' mode. This can be for a number of reasons:</p> <ul style="list-style-type: none"> • The unit has only recently been powered on and is obtaining a position fix prior to transmitting its first vessel information report. (This process can take several minutes.) • Position fix has been lost. The AIS transceiver will attempt to regain position fix for 30 minutes before entering an error state. • The AIS radio channels are exceptionally busy so there is not currently an available timeslot for transmission. • The unit is in silent mode (See blue indicator) or after deactivating silent mode this amber indicator will illuminate until the first AIS message has been sent • The AIS transceiver has been commanded by the local authority (via an AIS base station) to cease transmissions.
	<p>All four LEDs illuminated</p> <p>The AIS Transceiver has been tampered with and is now locked against further use. Follow the steps in Section 6 to unlock the device.</p>

6 Using the Anti-Tamper Feature

The anti-tamper feature is disabled by default and may be enabled by setting an anti-tamper password in proAIS2. When the anti-tamper feature is enabled the AIS transceiver will operate *only* when mounted on the supplied anti-tamper plate. If the AIS transceiver is removed from the plate while the anti-tamper feature is enabled, AIS operation will be disabled until the unit is *unlocked* using proAIS2 and the previously defined password.

6.1 To enable the anti-tamper feature:

1. Connect the AIS transceiver to a computer using the USB cable.
2. Run the proAIS2 software and click the *Connect* button.
3. Select the *anti-tamper* tab.
4. Setting a password in the anti-tamper tab enables the anti-tamper feature; the password will be required to subsequently unlock or disable the anti-tamper feature.

All four indicators will flash to indicate that the anti-tamper feature is enabled. Tamper-proof operation will commence when the AIS transceiver has been powered-on and mounted on the anti-tamper plate for 2 seconds, after which the indicators and the AIS transceiver will operate normally.

6.2 To unlock a locked AIS transceiver:

If the AIS transceiver is removed from the anti-tamper plate, it will be *locked*; there will be no AIS data output (AIS transmissions remain unaffected). When locked, all four indicators will be illuminated.

To unlock:

1. Connect the AIS transceiver to a computer using the USB cable.
2. Run the proAIS2 software and click the *Connect* button.
3. Select the *anti-tamper* tab.
4. Enter the password used to enable anti-tamper in the “*Enter the password to unlock the device:*” and click the *Unlock* button.

All four indicators will flash to indicate that the anti-tamper feature is enabled and the AIS transceiver is ready to be re-mounted on the anti-tamper plate. In this state it is possible to disable the anti-tamper feature.

6.3 To disable the anti-tamper feature

The anti-tamper feature may be disabled while the AIS transceiver is either mounted on the anti-tamper plate and operating normally or after it has been unlocked if it has been removed from the anti-tamper plate (all four indicators flashing).

To disable anti-tamper:

1. Connect the AIS transceiver to a computer using the USB cable.
2. Run the proAIS2 software and click the *Connect* button.
3. Select the *anti-tamper* tab.

4. If the unit is locked (all four indicators illuminated), it must first be unlocked by entering the password used to enable anti-tamper in the “*Enter the password to unlock the device.*” and clicking the *Unlock* button. All four indicators will flash when unlocked.
5. In the “*Set password*” section, set a blank password (i.e. clear all text from the password entry boxes), and click the “*Set Password*” button. The anti-tamper feature will be disabled.

When the anti-tamper feature is disabled, and the AIS transceiver will operate normally with or without the anti-tamper plate.



If anti-tamper is enabled, do not attempt to power on the transceiver without the anti-tamper plate connected. This will result in the unit entering a locked state and will need to be unlocked using the procedure above.

7 Wi-Fi Configuration and Operation

Using the proAIS2 software, the Wi-Fi feature can be configured for a user's specific needs.

Connect the AIS transceiver to the computer with the USB cable. Run the proAIS2 software and press the Connect button.

Note that the Wi-Fi transmitter will not run from USB power alone, so to configure the Wi-Fi settings the unit must be powered from at least 12v dc.

By selecting the Wi-Fi page on proAIS2, you are able to configure the various Wi-Fi parameters.

The device is configured as an Access Point which means that it will host its own Wi-Fi network.

To configure the network you should enter a Wi-Fi network name (the SSID), the IP address of the network that you wish to create, and a password of 8 characters or more. Also required is the Wi-Fi channel that you wish to use (typically this will be 1, 6, or 11). This will create a new Wi-Fi network. By connecting a 3rd party device to this network it will be possible to view the AIS data transmitted by this transceiver.

Once the 'Write Configuration' button is pressed on proAIS2, the Wi-Fi feature will be enabled with these settings.

When Wi-Fi is configured and networks are connected, NMEA-0183 data is streamed continuously from the AIS Transceiver over this network. This means that by connecting a 3rd party App to the network, you will be able to monitor the AIS position and target data coming out of the transceiver.

When power is re-applied to the transceiver, the Wi-Fi device will automatically return to the configuration set above. There will be no need to set these parameters again unless a change is required.

8 Vessel Data Logger Configuration

The transceiver will log your own position at regular intervals and the log will continuously store your position over the last 30 days. The log will only store your position if it has changed by more than 10m.

Using the proAIS2 software, the vessel data log can be downloaded and stored.

Connect the AIS transceiver to the computer with the USB cable. Run the proAIS2 software and press the Connect button.

From the page labeled 'VDR', the proAIS2 software allows you to download the log and save it as a text file.

The software will display the start and end dates of the vessel data log stored on the transceiver. You can then select a date range to download. By pressing the 'Get Data' button you will be asked to select a folder to save the log file to. The log is then saved as a text file in this location with the name vdrmc.log.

The downloaded log file contains \$GPRMC data which can be viewed in a wide range of freely available tools.

9 Troubleshooting

Issue	Possible cause and remedy
No data is being received by the chart plotter	<ul style="list-style-type: none"> • Check that the power supply is connected correctly. • Check that the power supply is a 12V or 24V supply. • Check that the connections to the chart plotter are correct.
No indicators are illuminated	<ul style="list-style-type: none"> • Check that the power supply is connected correctly. • Check that the power supply is a 12V or 24V supply.
The Red 'error' indicator is illuminated	<ul style="list-style-type: none"> • The unit may not have a valid MMSI. Check that the AIS transceiver is correctly configured with a valid MMSI. • The VHF antenna may be faulty. Please check the connection to the VHF antenna and that the VHF antenna is not damaged. The red indicator may illuminate briefly if the power supply is interrupted or the VHF antenna characteristics are briefly affected. • No GPS position fix can be obtained. Please check the transceiver is located where the internal GPS antenna has a clear sky view or that an external GPS antenna is properly connected and installed. Review the GPS signal strength graph available in proAIS2. • The power supply is outside the allowable range. Check that the power supply is within the range 9.6V to 31.2V. • If none of the above correct the error condition please contact your dealer for advice. • Check for error and alarm messages in proAIS2.
My MMSI is being received by other vessels but my vessel name is not shown on their chart plotter or PC	<ul style="list-style-type: none"> • Some older AIS devices and chart plotters do not process the specific class B AIS message which provides the vessel name (message 24). This is not a fault of your AIS transceiver. Software upgrades are available for many older chart plotters which will correct this issue. The other vessel should update its AIS unit and/or chart plotting software to receive AIS message 24.

If the guidance given in the table above does not rectify the problem you are experiencing, please contact your dealer for further assistance.

10 Specifications

Parameter	Value
Dimensions	140 x 100 x 42 mm (L x W x H)
Weight	250g
Power	DC (9.6V - 31.2V)
	Average power consumption 170mA at 12VDC
	Peak current rating 2A
GPS Receiver (AIS Internal)	50 channel IEC 61108-1 compliant
Electrical Interfaces	USB
	NMEA0183 38,400Baud
	NMEA2000 (LEN=1)
	WiFi 2.4GHz IEEE 802.11 b/g (Access point mode) Output power +18dBm
Connectors	VHF antenna connector (SO-239)
	External GPS antenna connector (TNC)
	USB type A plug
	NMEA2000 standard connector
	12 way power input / NMEA0183/External switch

VHF Transceiver	Transmitter x 1
	Receiver x 2 (One receiver time shared between AIS and DSC)
	Frequency: 156.025 to 162.025 MHz
Output Power	37dBm \pm 1.5 dB
Channel Bandwidth	25kHz
Channel Step	25kHz
Modulation Modes	25kHz GMSK (AIS, TX and RX)
	25kHz AFSK (DSC, RX only)
Bit rate	9600 b/s \pm 50 ppm (GMSK)
	1200 b/s \pm 30 ppm (FSK)
RX Sensitivity	Better than -107dBm at 20% PER
	Co-channel 10dB
	Adjacent channel 70dB
	IMD 65dB
	Blocking 84dB
Environmental	Water resistant to IPx7
	Operating temperature: -25°C to +55°C
	Tested to IEC 60945 'Protected' category
Indicators	Power, TX timeout, error, silent mode status, anti-tamper

The em-trak B360 is an aid to navigation and must not be relied upon to provide accurate navigation information. AIS is not a replacement for vigilant human lookouts and other navigation aids such as Radar. The performance of the B360 may be seriously impaired if not installed as instructed in the user manual, or due to other factors such as weather and or nearby transmitting devices. Compatibility with other systems may vary and is reliant on the third party systems recognising the standard outputs from the B360. em-trak reserves the right to update and change these specifications at any time and without notice.

Head Office:

em-trak Marine Electronics Ltd
Wireless House
Westfield Industrial Estate,
Midsomer Norton
Bath BA3 4BS

T +44 (0)1761 409 559 | F +44 (0)1761 410 093
enquiries@em-trak.com

Regional Office:

em-trak Marine Electronics Limited
470 Atlantic Avenue,
4th floor,
Boston,
02210 United States

T +1 617 273 8395 | F +1 617 273 8001
enquiries@em-trak.com

For support enquiries email: support@em-trak.com