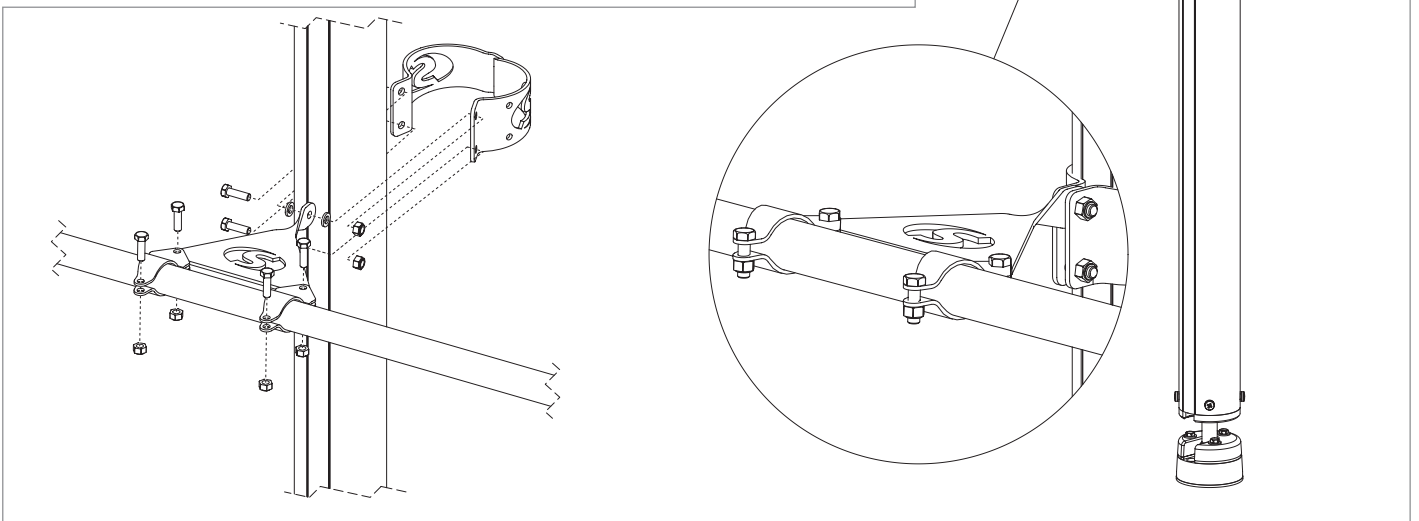
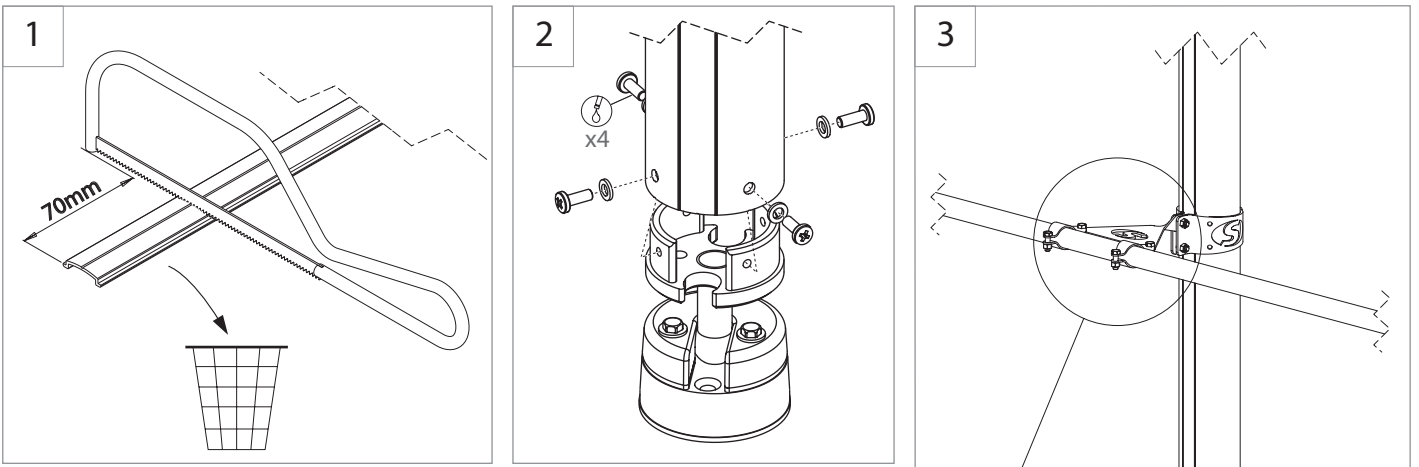
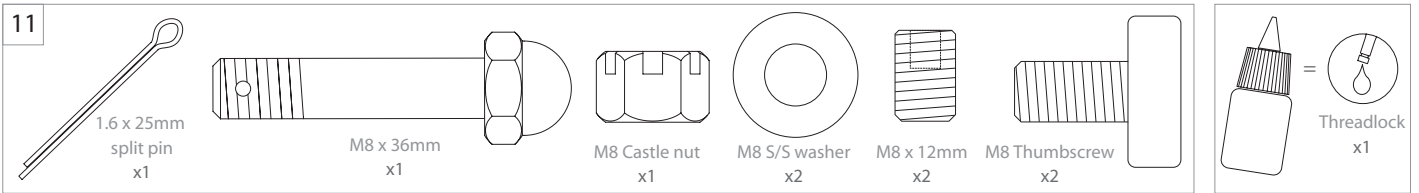
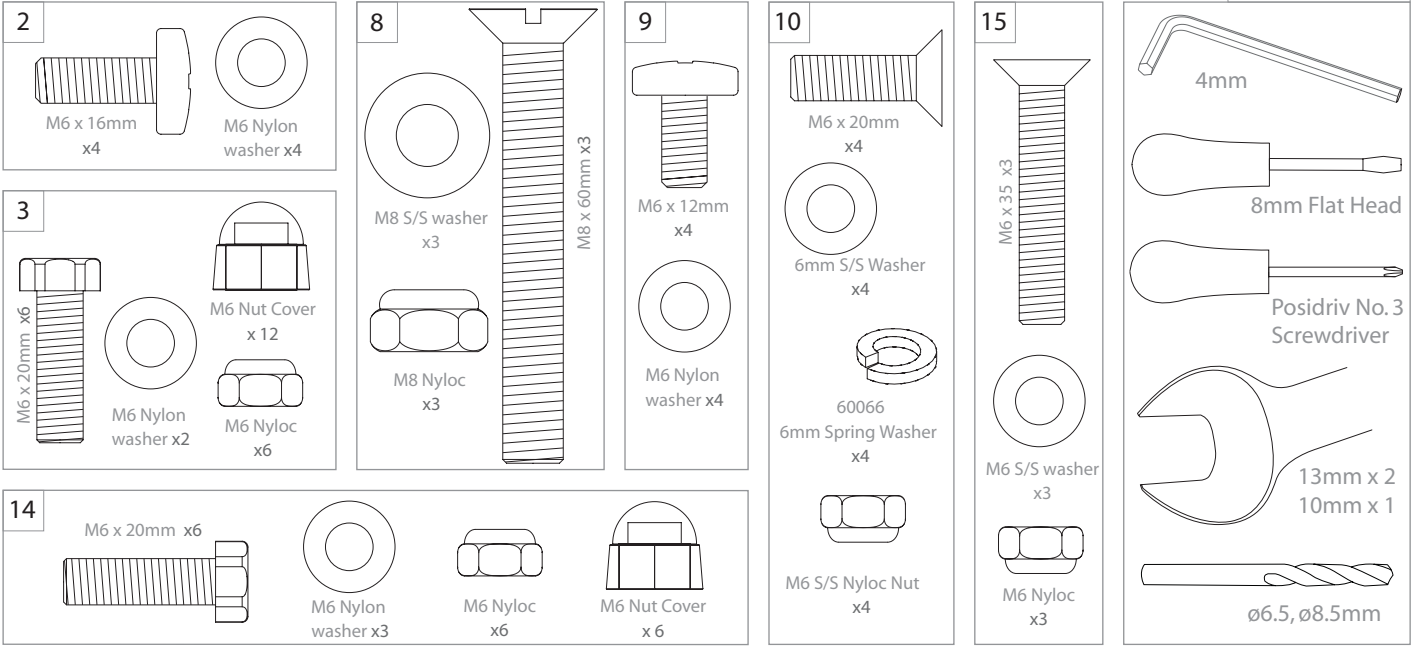
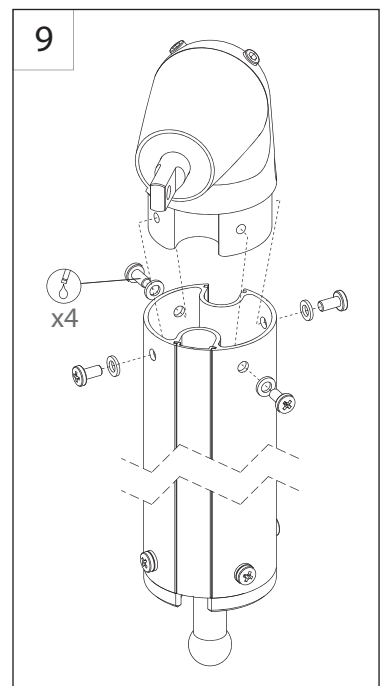
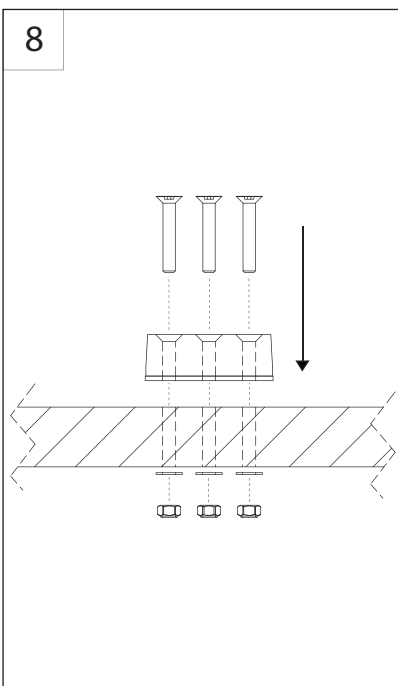
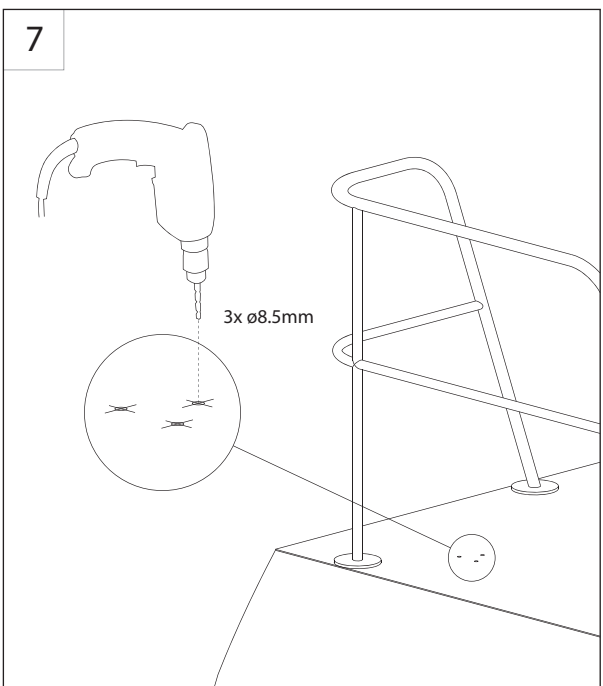
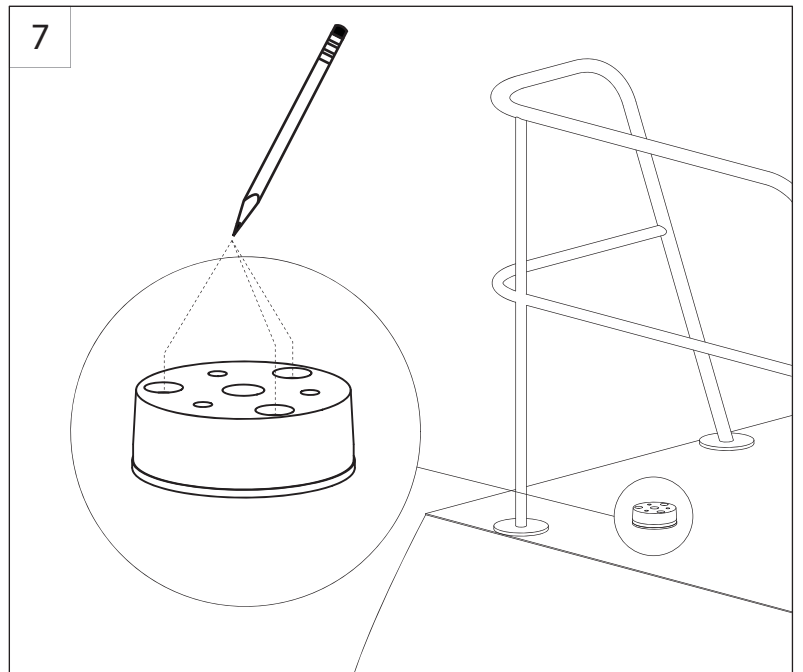
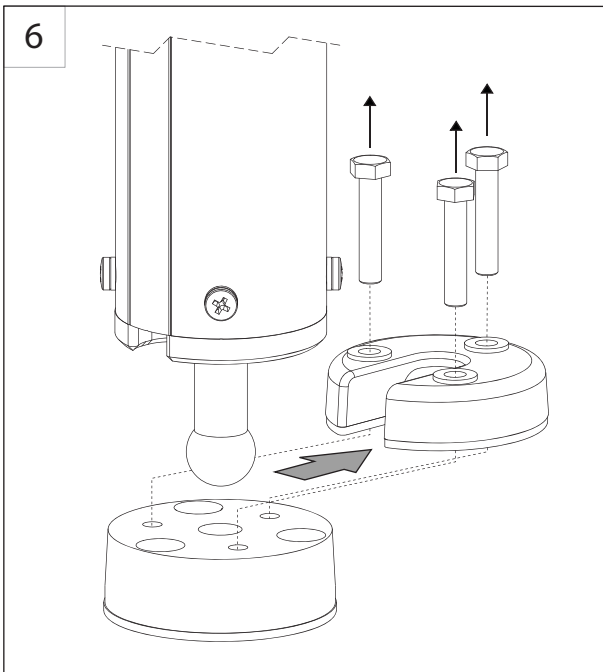
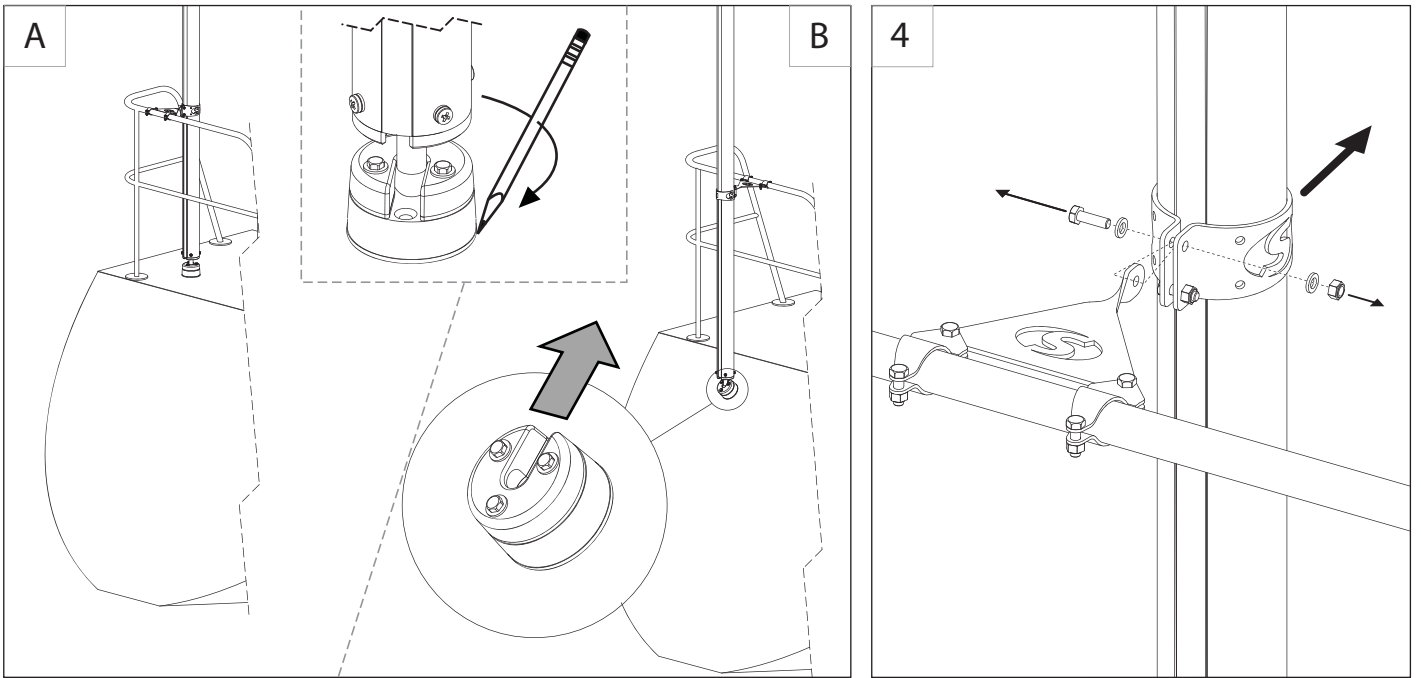


# Scanstrut Self-Levelling Pole Mount Installation Instructions (LMP-1/LMP-2)

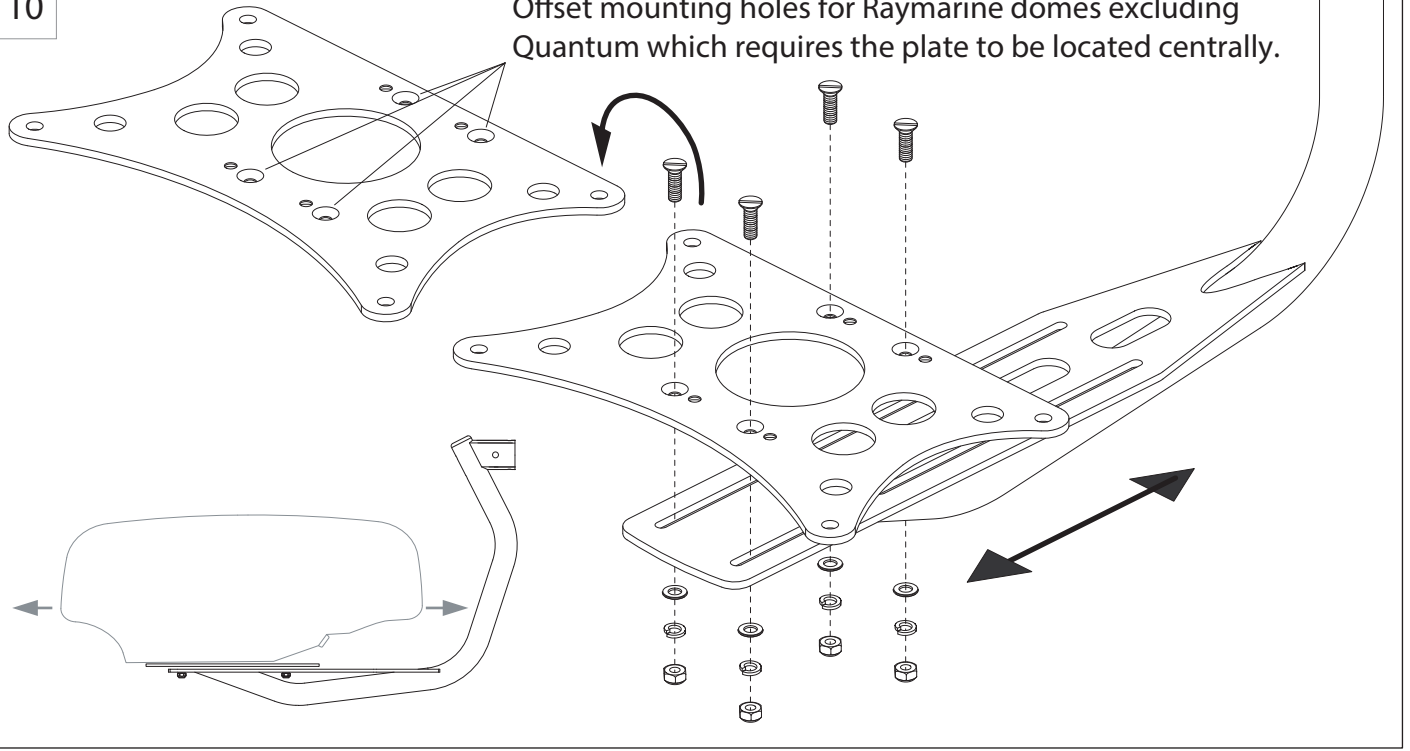
## Tools Required



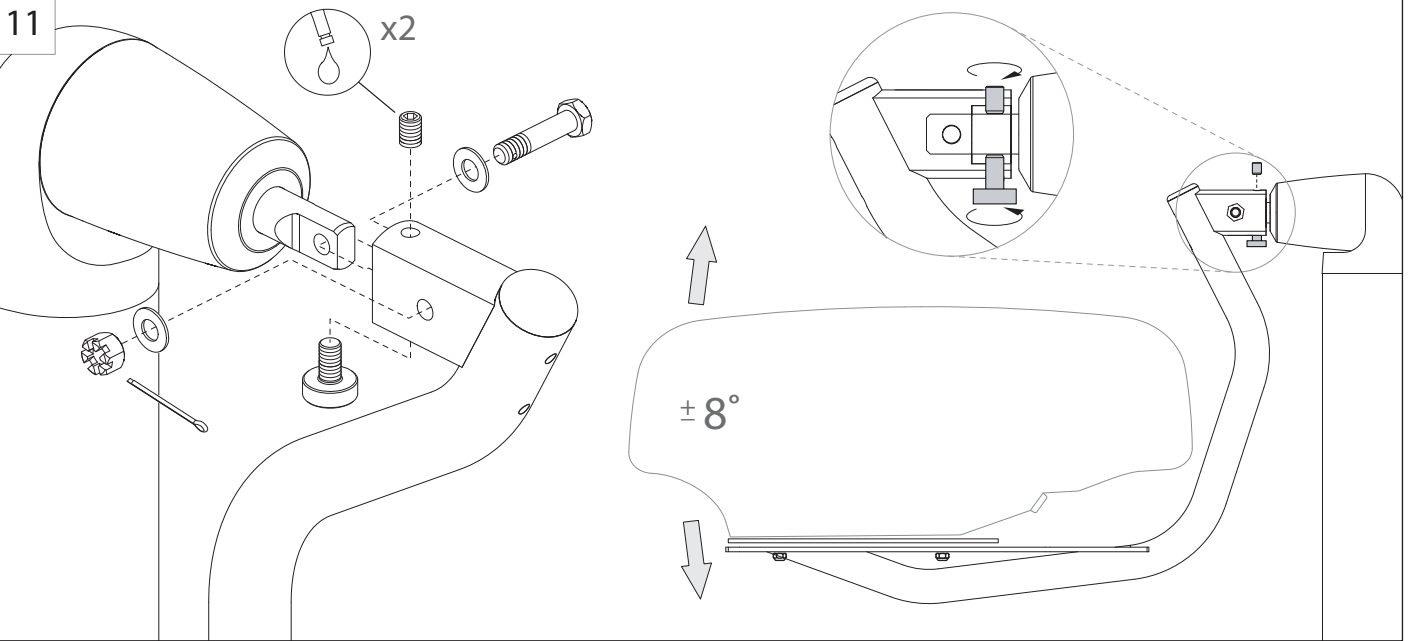


10

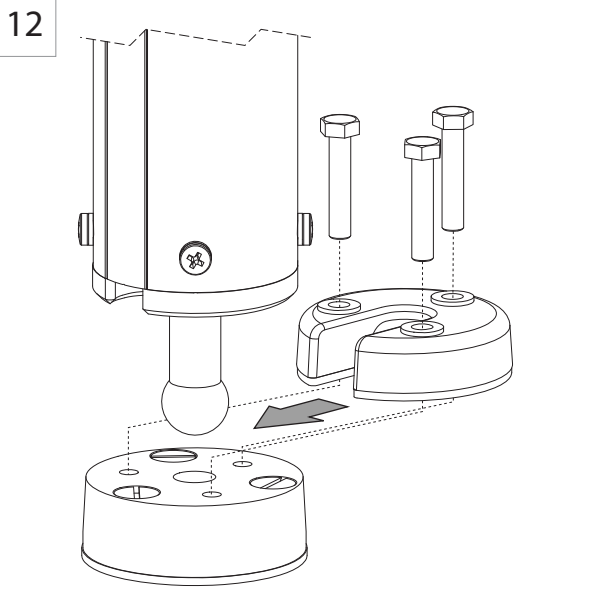
Offset mounting holes for Raymarine domes excluding Quantum which requires the plate to be located centrally.



11



12



13

