

**DLMP**  
**Installation Instructions**

**Tools Needed**

Posidrive No.3 Screwdriver  
 Large Flat Head Screwdriver  
 2x 10mm Spanner  
 1x 13mm Spanner  
 Ø8mm Drill  
 Ø6mm Drill

**Kit Contents**

<input type="checkbox"/>	<b>1x Tube 2.5M long</b>	<b>17420</b>
<input type="checkbox"/>	2 x cover strips	19401
<input type="checkbox"/>	<b>1x Top casting for Fleet Satcom or 30cm Satcom</b>	<b>10103/10101</b>
<input type="checkbox"/>	<b>1x Pole Top Fastening Pack</b>	<b>60100</b>
<input type="checkbox"/>	4x M6 x 20 Hex Head Bolts	60621
<input type="checkbox"/>	4x M6 Nyloc Nuts	60060
<input type="checkbox"/>	4x M6 White nut covers	60068
<input type="checkbox"/>	4x M6 Nylon Washers	60702
<input type="checkbox"/>	<b>1x Adjustable base module</b>	<b>19301</b>
<input type="checkbox"/>	1x Adjustable Base Assembly	N/A
<input type="checkbox"/>	3x M8 x 60 C/S Bolts	60860
<input type="checkbox"/>	3x M8 x 35 Hex Head Bolts	60835
<input type="checkbox"/>	3x M8 Nyloc Nuts	60080
<input type="checkbox"/>	3x M8 Washer	60085
<input type="checkbox"/>	4x M6 x 16 Pan Head Posidriv Bolts	60616
<input type="checkbox"/>	4x M6 Nylon washers	60702
<input type="checkbox"/>	3x M8 Nylon Bolt Insulators	64000
<input type="checkbox"/>	1x Loctite 242 Sachet	10265
<input type="checkbox"/>	<b>2 x 1800mm/5'11" Deck Support strut</b>	<b>19309</b>
<input type="checkbox"/>	1x 1800mm Adjustable Strut	10456
<input type="checkbox"/>	1x Deck Eye Pad	10451
<input type="checkbox"/>	1x 3" Tube Clamp Assembly	104520
<input type="checkbox"/>	1x 2mm Allen Key	63002
<input type="checkbox"/>	1x Fastening Pack	60035
<input type="checkbox"/>	4x M6 x 35 C/S Bolt	610635
<input type="checkbox"/>	3x M6 x 20 Hex Head Bolts	60621
<input type="checkbox"/>	7x M6 Nyloc Nuts	60060
<input type="checkbox"/>	6x M6 Nut Cover	60068
<input type="checkbox"/>	7x M6 Nylon Washer	60702
<input type="checkbox"/>	<b>1x Levelling Mast Mount</b>	<b>LMM -1/2</b>
<input type="checkbox"/>	1x RSG plate/Universal Plate	10128LM/10129LM
<input type="checkbox"/>	1x Complete LMM without Plate	17LMM
<input type="checkbox"/>	1x FM Cradle	10126LM
<input type="checkbox"/>	1x Damping Chamber & Mast Adapter Assembly	17125LMM

<input type="checkbox"/>	1x LMM Instructions	N/A
<input type="checkbox"/>	1x Fastening Pack for LMM	600LMMC
<input type="checkbox"/>	1x Black EPDM Grommet – 23mm	101804
<input type="checkbox"/>	1x Foot Pack for LMM	15001L
<input type="checkbox"/>	4x Silver Feet	17001LMM
<input type="checkbox"/>	1x Fastening pack	60012
<input type="checkbox"/>	4x M6 x 30 Bolts	60630
<input type="checkbox"/>	4x M6 Nyloc Nut	60060
<input type="checkbox"/>	4x M6 Nylon Washer	60702
<input type="checkbox"/>	8x M6 Domed Cap	60068
<input type="checkbox"/>	12x 4.8 x 16mm pop rivet	60665
<input type="checkbox"/>	1x Threadlock Bottle	10265
<input type="checkbox"/>	1x Cradle Fixing Pack	600LMC
<input type="checkbox"/>	1x Dome head M8 bolt	10125LM-12
<input type="checkbox"/>	1x M8 Castle Nut	60090
<input type="checkbox"/>	2x M8 Plain washer	60085
<input type="checkbox"/>	1x Split pin	60091
<input type="checkbox"/>	1x M8 x 12mm Grub Screw	60812
<input type="checkbox"/>	1x M8 Thumb screw	10125LM-16
<input type="checkbox"/>	1x Black Ribbed insert 28.5mm	101807
<input type="checkbox"/>	4x M6 x 20 C/S Slotted	610620
<input type="checkbox"/>	4x M6 Nyloc Nut	60060
<input type="checkbox"/>	4x M6 Spring Washer	60066
<input type="checkbox"/>	4x M6 Plain Washer	60065
<input type="checkbox"/>	1x Safety wire pack LMM	700LMM
<input type="checkbox"/>	4x Zip tie	60007
<input type="checkbox"/>	2x 4.8 x 12mm Rivet	60650
<input type="checkbox"/>	1x S/S Safety Lanyard	N/A
<input type="checkbox"/>	1x Lacing Eye	72517
<input type="checkbox"/>	<b>GPS Antenna Kit</b>	<b>LM-GPS</b>
<input type="checkbox"/>	1 x GPS adapter for Leveling Mounts	10130LM
<input type="checkbox"/>	2 x M6 x 12 Pan head Posidriv	60612
<input type="checkbox"/>	2 x M6 Saddle washer	64100

Packed and Checked.....

Identify the top and bottom of the pole. The label is at the top of the pole.

1. Orientate the top casting to face forward lining up the groove in the top with the cable channels. Attach the top casting to the tube using 4 x M6 bolts, washers and Nyloc nuts. Fit white cover caps on the heads of the bolts.
  2. Attach the base and spigot part of the adjustable base to the pole using 4 x M6 posidrive and nylon washers. Apply a drop of Loctite to the screw threads before inserting the base into the pole.
  3. Assemble the remaining parts of the adjustable base onto the spigot to create a ball joint at the base of the pole using 3 x M8 x 40 bolts and 3 x nylon top hat washers. Tighten bolts to lightly clamp the ball joint.
  4. Stand the pole upright in its approximate final position. Orientate the adjustable base so the open slot faces up any slope on the mounting surface. Ensure that the pole is vertical and mark around the base and indicate the position of the open slot.
- 5. If you are fitting the SC117 deck flood light to your SC100 pole, an extra operation is required here, please see separate SC117 installation instructions sheet.**
6. Separate the two halves of the adjustable base and lower the pole. Use the bottom half as a template to mark the bolt holes for the adjustable base and make sure the open slot still faces up the slope. Drill the mounting holes with the 8mm dia. drill through the deck. Attach the base to the deck using 3 x M8 x 60 countersunk bolts, washers and Nyloc nuts.
  7. It is recommended that the Satcom is installed onto the pole at this stage. Bolt the Satcom to the top casting, laying the cable in the groove of the top casting and feed it down one of the cable channels. You can bring out the cables at the front or back of the pole to suit your deck installation. If the cable has a large plug attached; slide out the cover strip, lay the cable in the channel and slide in the cover strip from the top of the tube. Fig. 4 demonstrates typical cable routing.
  8. It is also recommended that the Levelling Mast Mount is fixed to the pole at this stage, please see separate instructions.
  9. Stand the pole upright and re-assemble the adjustable base by attaching its top half using 3 x M8 x 40. Apply a drop of Loctite to each thread before assembly.
  10. Attach the two struts to the pole (at 90° to each other) using the 3 inch clamps making sure that the adjustable ends (identified by the inset socket head grub screw) are at the top. Attach the deck eye pads to the bottom of the struts. Unscrew the top eye of each strut by half its thread.
  11. Line up the link on each deck pad eye as in Fig. 3, mark drilling holes for each deck strut base and drill 4 x 6mm dia. holes and attach each base with 4 x M6 countersunk bolts, washers and Nyloc nuts.
  12. Check that the pole is vertical. Lock the strut in position using the grub screws at the top end. If you need to adjust the length of the strut, release the strut from the clamp, undo the grub screw and turn the eye. Attach the strut to the clamp and lock it as before.
  13. Firmly tighten the 3 x M8 x 40 bolts to lock the ball joint in the adjustable base. These bolts must be tight enough to eliminate any movement at the base of the pole.
- 14. Installation of the SC117 deck flood light should now be completed. If applicable, go to point 3 on the SC117 instruction sheet.**

Fig 1. General Arrangement of Modules

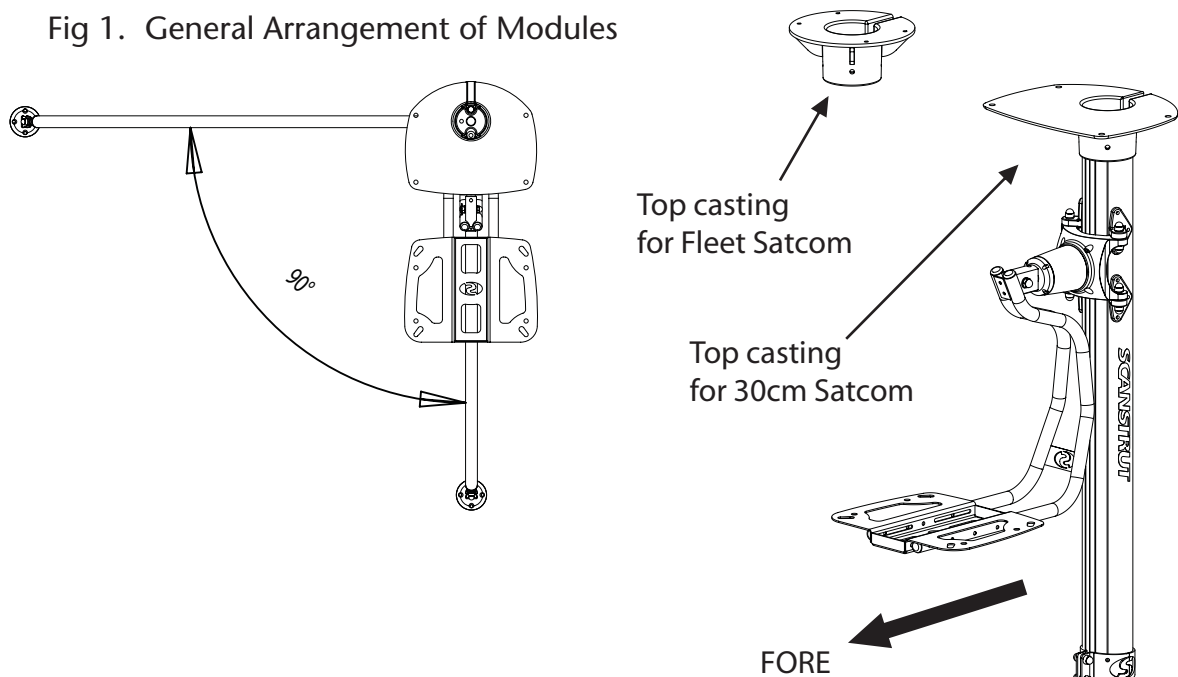


Fig 2. Adjustable Base Module

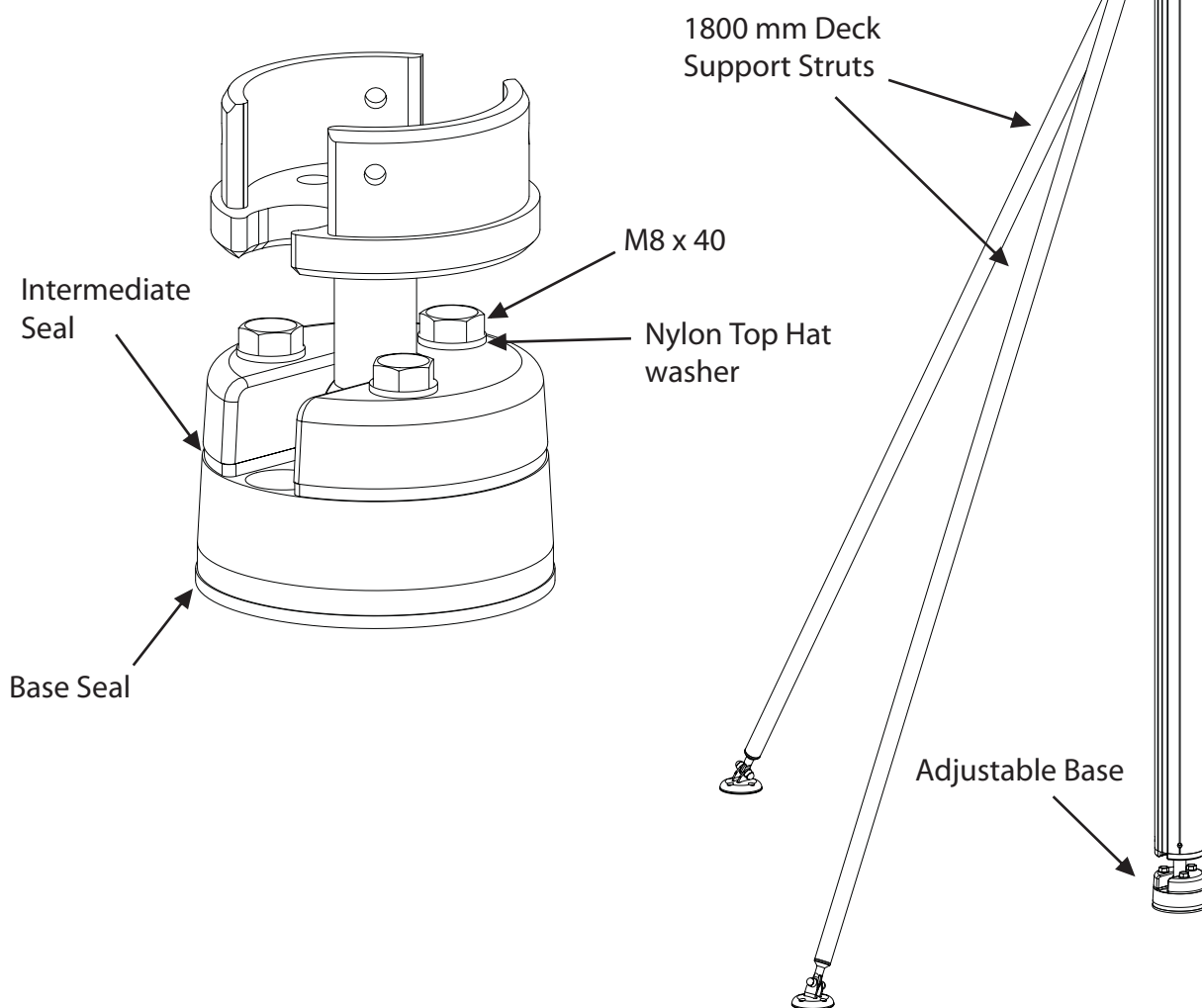
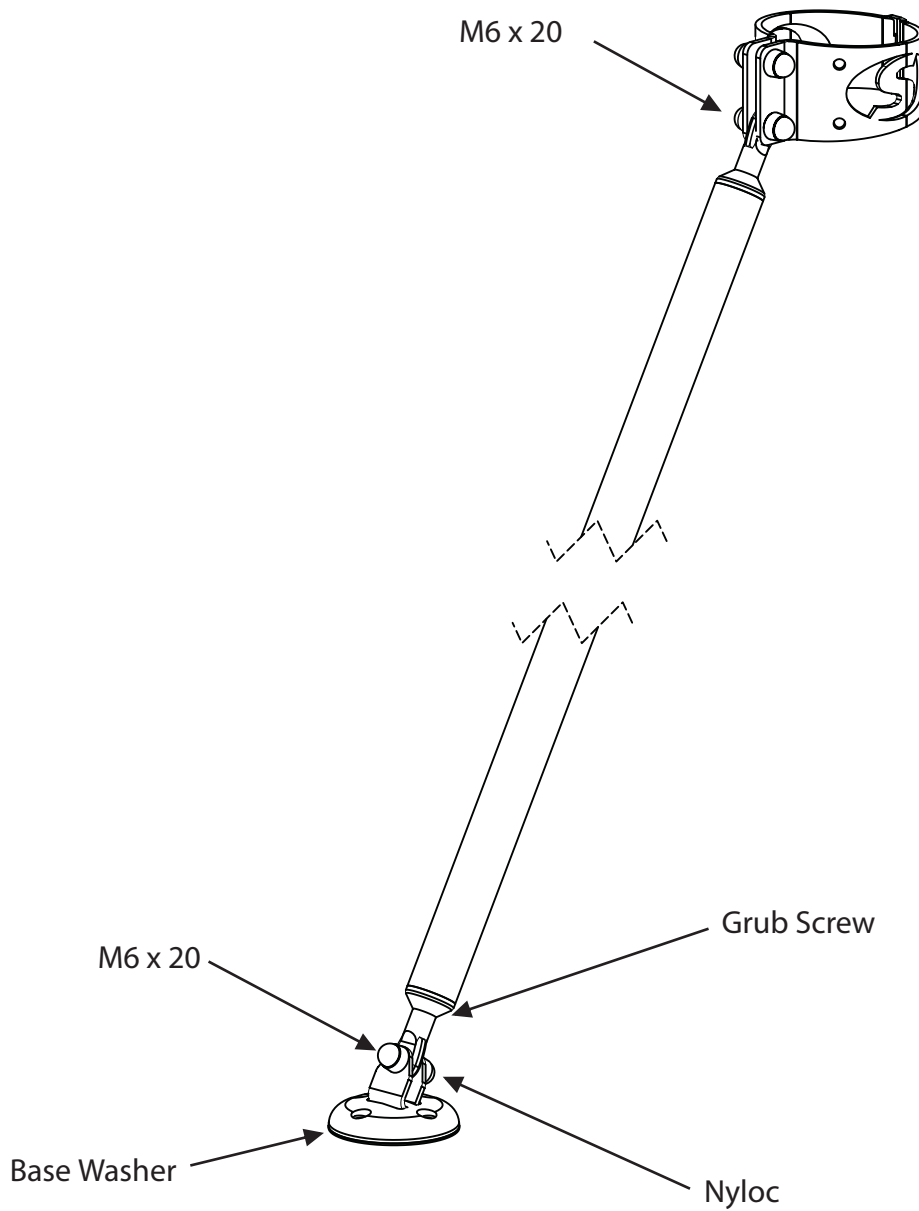
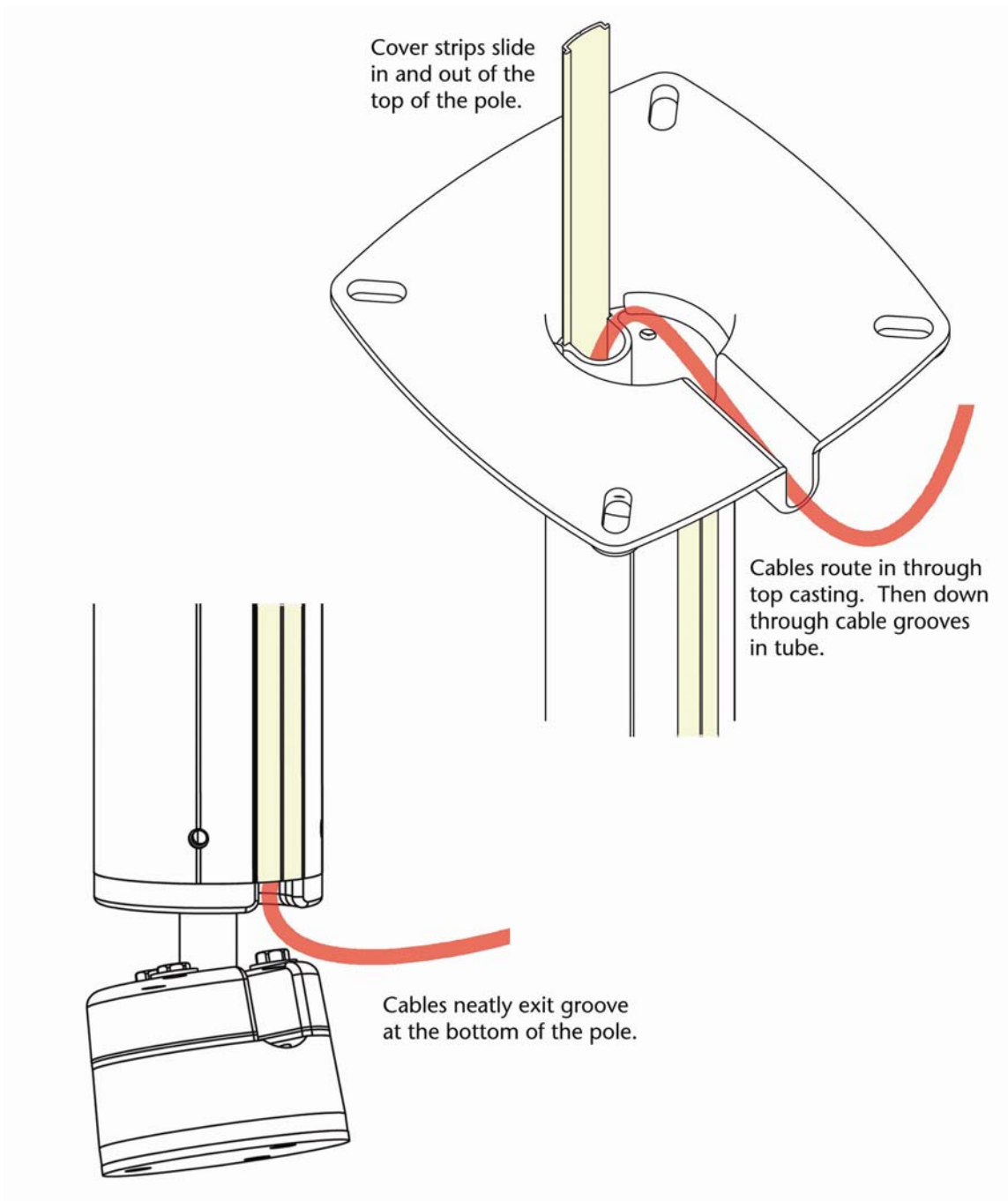


Fig 3. Deck Strut Module

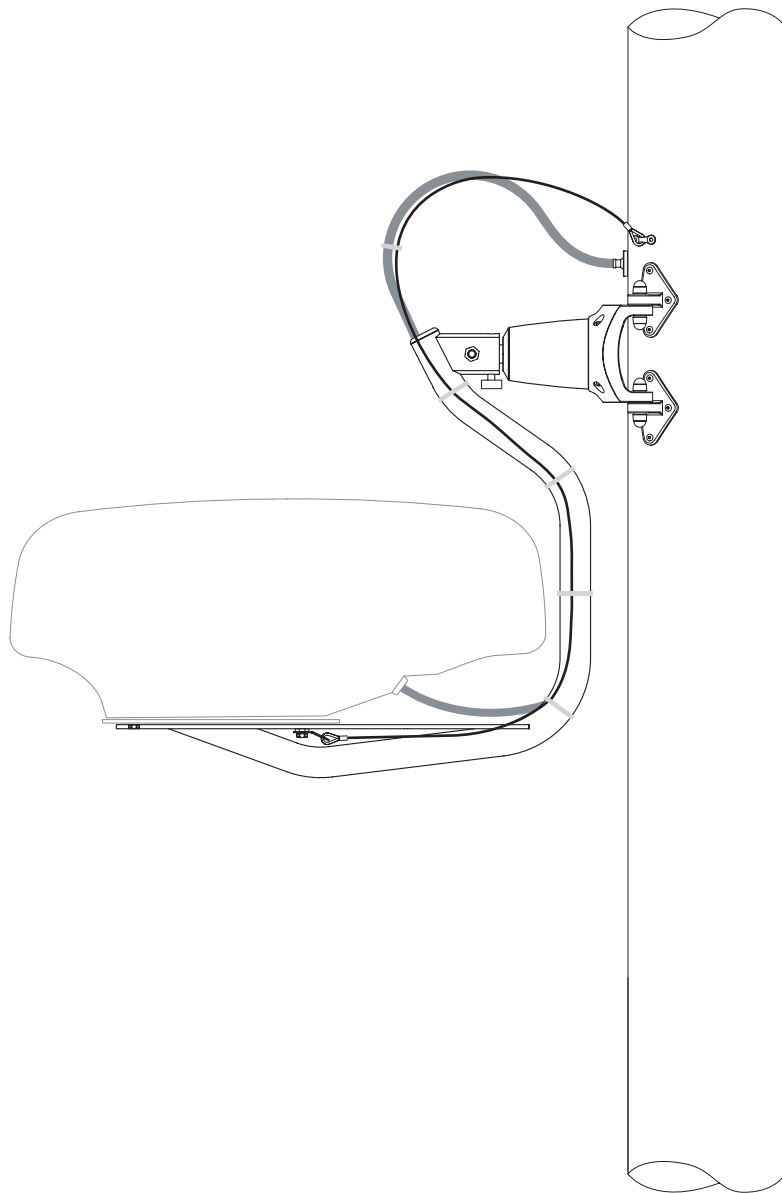


**Fig 4. Cable Routing**



# Scanstrut Installation Instructions

## LMM 1/2



Tools Required

**1**

M6 Nyloc nut x4  
M6 Steel washer x8  
M6 x 35mm x4  
M6 domed cap x8

**2**

4.8 x 12mm poprivet x12

**3**

M6 x 20mm x4  
60065 6mm S/S Washer  
60066 M6 Spring Washer S/S  
60060 - M6 S/S Nyloc Nut

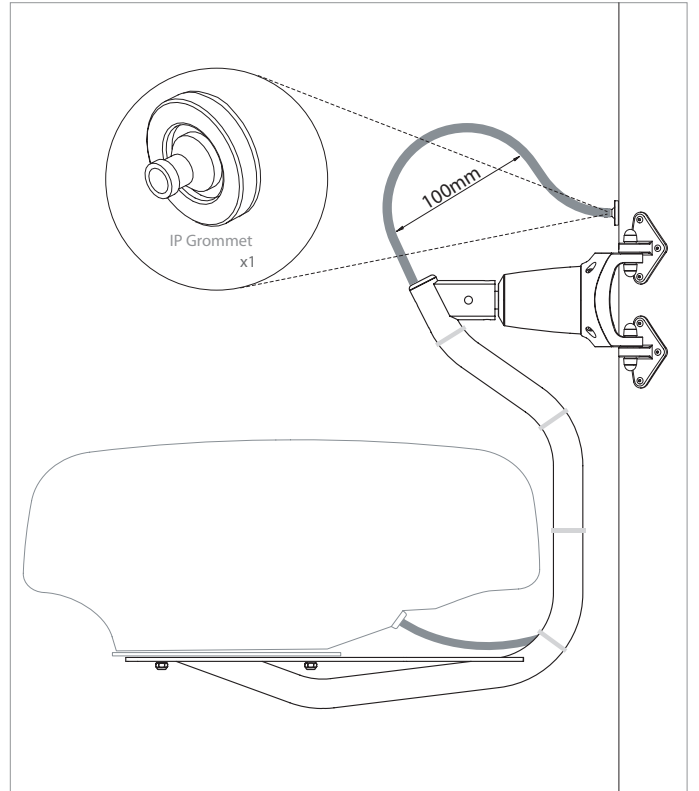
	ø3/16" (4.8mm)
	2 x 10mm 2 x 13mm
	1 x 8mm Flat Head

	Power drill
	Pop Rivet Gun

**4**

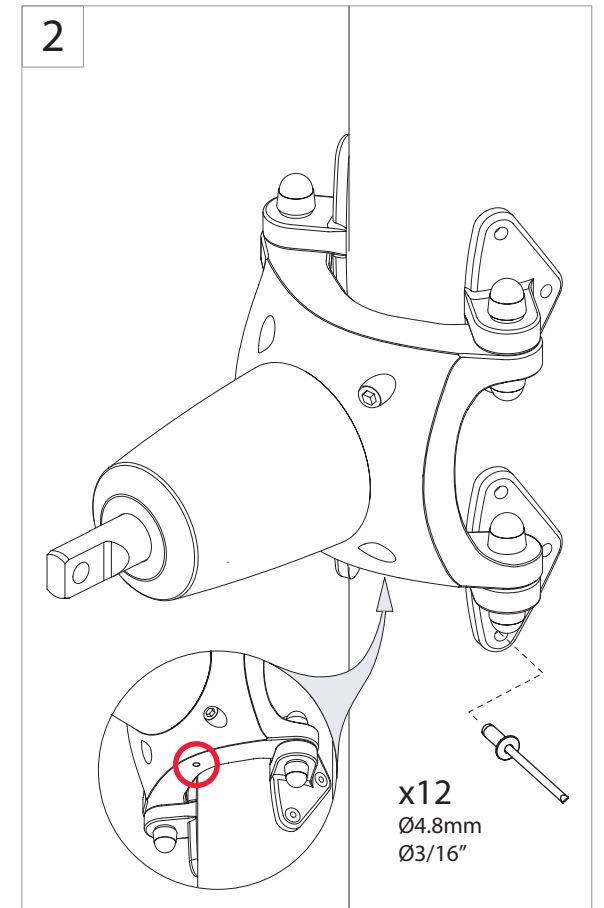
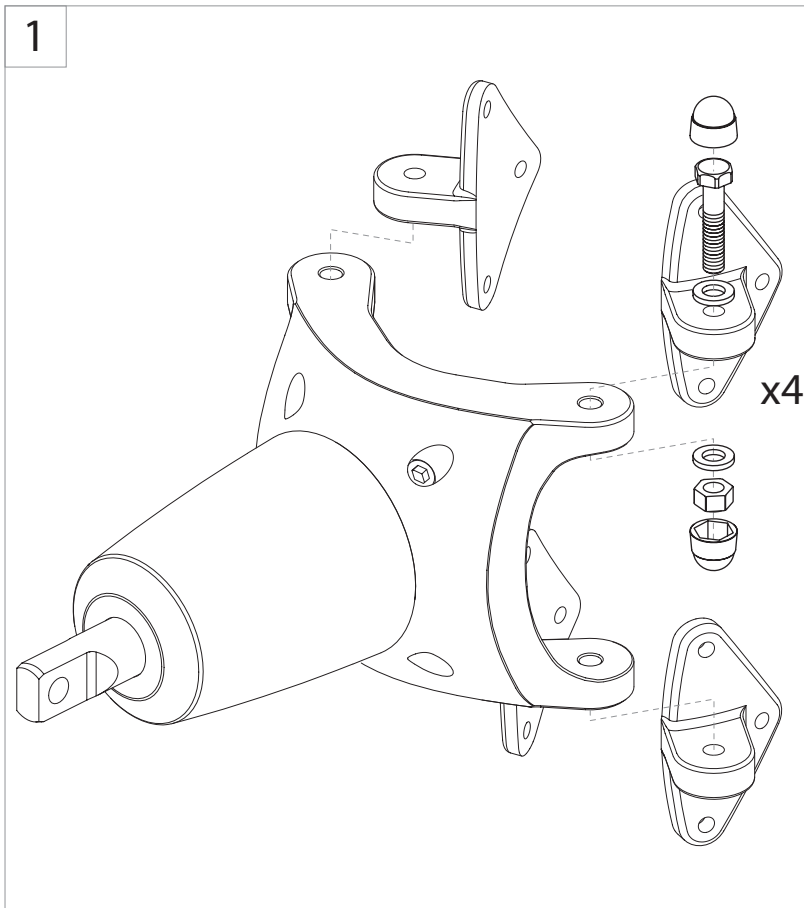
M8 Castle nut x1  
M8 x 12mm x2  
M8 Steel washer x2  
M8 x 36mm x1  
1.6 x 25mm split pin x1

Threadlock



**5**

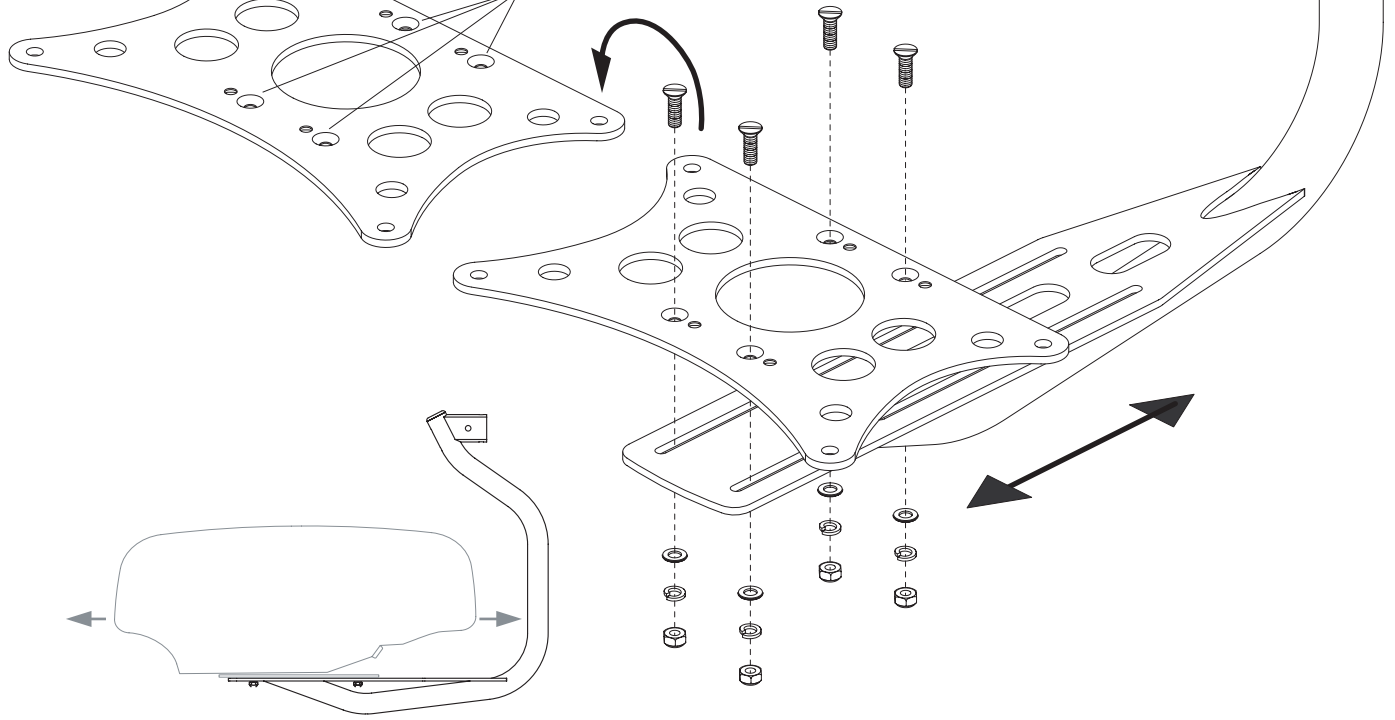
60650 - 4.8x12 Rivet TLP/D 650 x2  
72517 - Lacing Eye x1  
S/S Safety Lanyard x1  
Cable Tie x4





3

Offset mounting holes  
for Raymarine domes

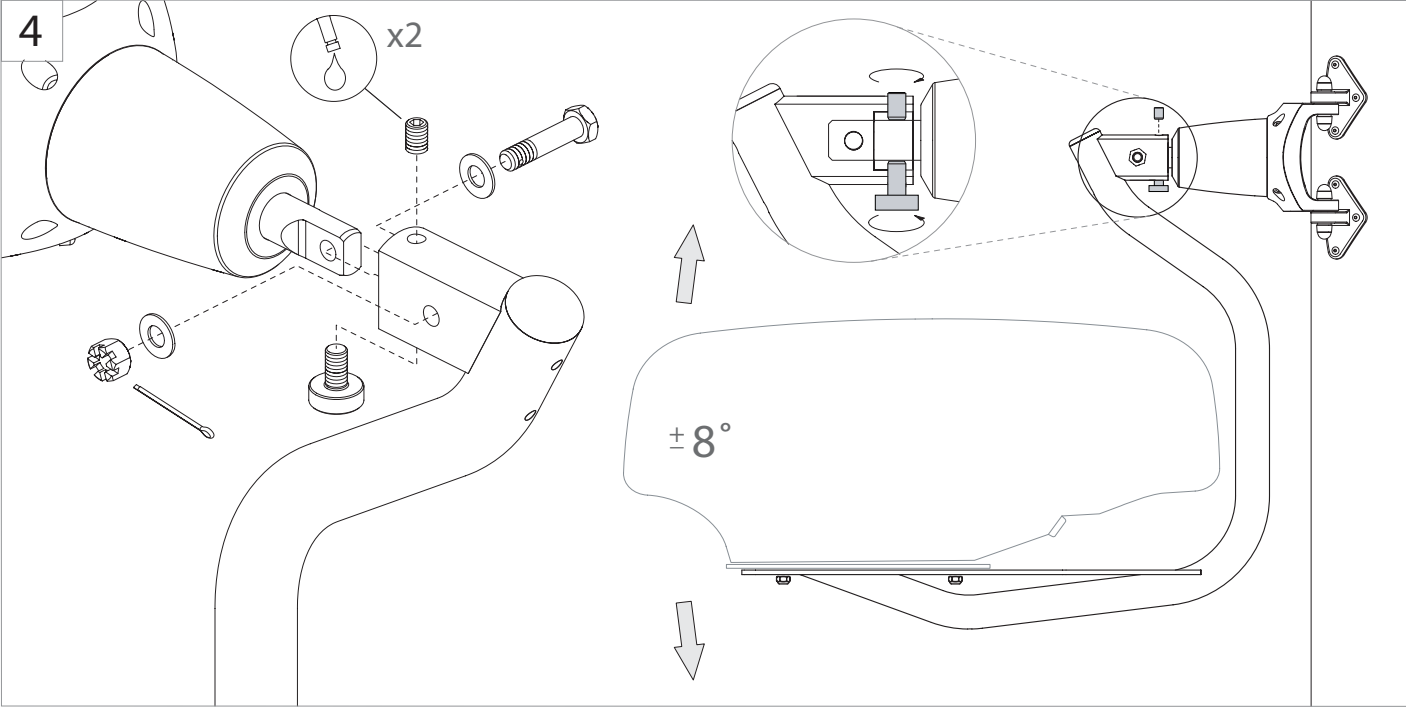


4

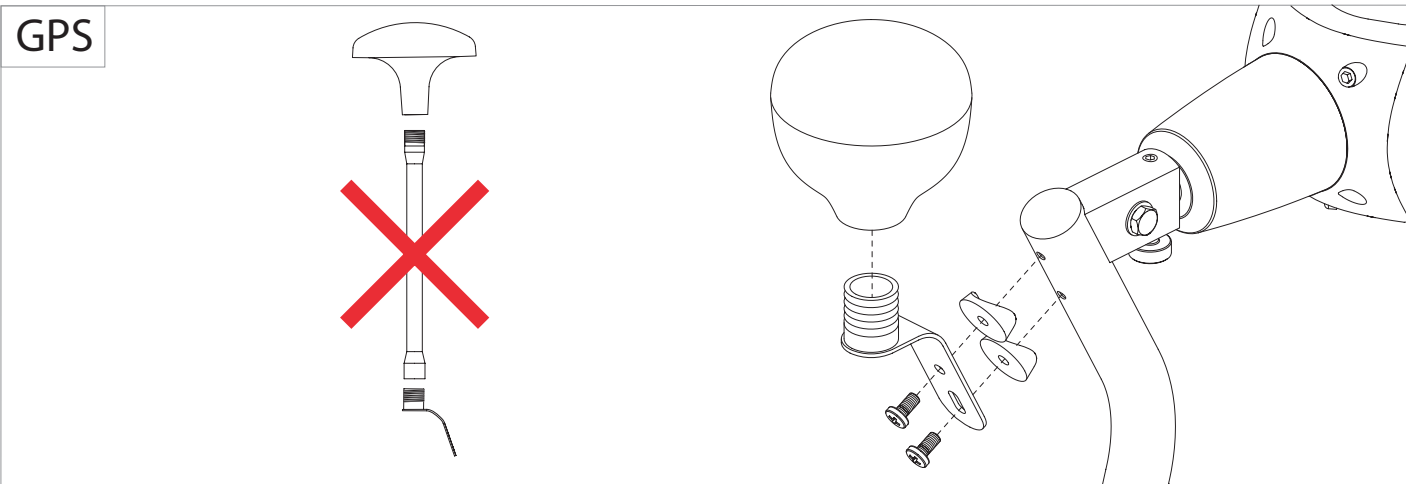
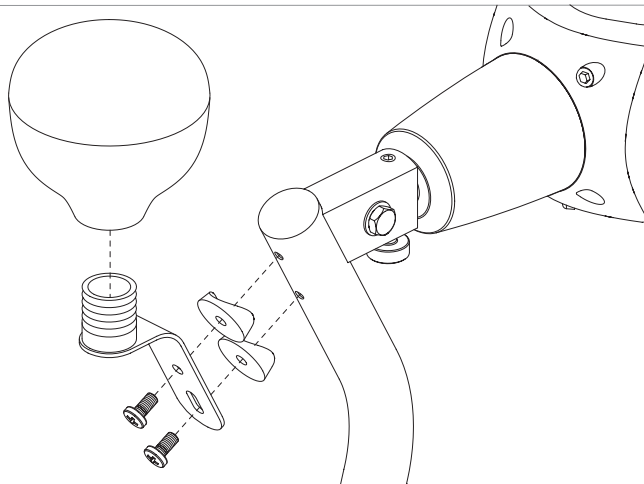
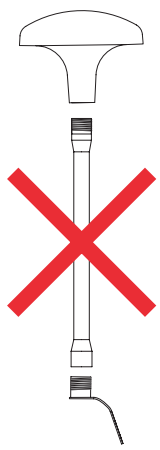
x2



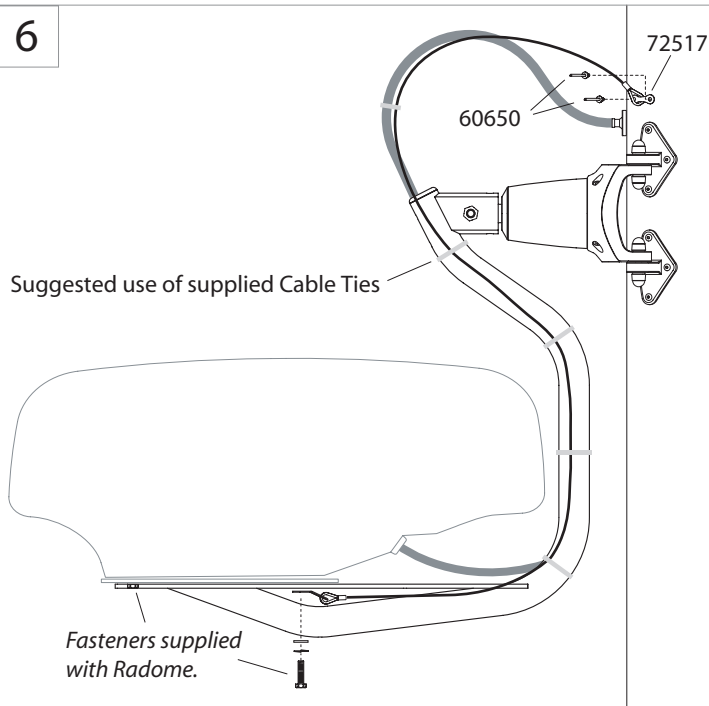
$\pm 8^\circ$



GPS



6

**IMPORTANT**

LMM -1 /2 are intended to mount a single radome as stated in the latest Scanstrut Product Guide – subject to change without prior notice.

Use of the LMM-1/2 with unapproved products, or overloading, invalidates any warranty.

No liability is accepted for damage caused by incorrect installation.

This product has been designed specifically for the mounting of approved radar (listed in the Scanstrut Product Guide.) and used under normal boating conditions.

This product is not designed to withstand overload, impact, excessive force or entanglement in sails and rigging.

This product is designed to become detached from the mast in the event of an overload or other abuse, for example, impact, excessive force and entanglement in sails or rigging.

The safety lanyard must be fitted according to the instructions. Failure to do so invalidates any warranty.

The installation and assembly must be regularly inspected for evidence of damage or loose parts.

This product is designed to suit aluminium masts with a minimum width of 65mm (2.6") and wall thickness in the range 2mm (5/64") - 5mm (3/16").

For installation on non-aluminium masts, or mast sections outside the above sizes, please consult Scanstrut head office.

The assembly is not designed to be fully removed and re-installed once fitted. If bracket needs to be removed for servicing, the unit should be disassembled from the mounting feet by removing the bolts.

The feet must remain attached to the mast, and the unit must be re-fitted to the original feet, in their original location.

**IMPORTANT**

Les LMM-1/2 sont conçus pour le montage d'un seul radôme comme mentionné dans le dernier Guide Produits Scanstrut – sujet à modification sans préavis.

L'usage des LMM-1/2 avec des produits non validés, ou la surcharge de ces supports, annulent toute garantie.

Scanstrut décline toute responsabilité pour les dégâts résultant d'une installation incorrecte.

Ce produit a été spécifiquement conçu pour le montage de radar approuvés (repris dans le Guide Produits Scanstrut) et utilisés dans des conditions de navigation normales.

Ce produit n'est pas conçu pour supporter une surcharge, un impact, une force excessive ou un enchevêtrement dans les voiles et le gréement.

Le cordon de sécurité doit être mis en place comme indiqué dans les instructions.

Le non-respect de cette consigne annule toute garantie.

L'installation et l'assemblage doivent être inspectés régulièrement afin de déceler des dégâts ou des pièces desserrées.

Ce produit est conçu pour convenir aux mâts en aluminium d'une largeur minimum de 65mm (2.6") et d'une épaisseur allant de 2mm (5/64") à 5mm (3/16").

Pour une installation sur mâts autres que aluminium, ou sur des sections de mâts en dehors des tolérances ci-dessus, veuillez contacter le siège social de Scanstrut.

L'assemblage n'est pas conçu pour être complètement enlevé et ré-installé une fois monté. Si les bras du supports doivent être enlevés pour l'entretien, l'unité doit être désassemblée de ses pattes de montage en retirant les boulons. Les pattes doivent rester attachés au mât et l'unité doit être re-montée sur ces pattes

**IMPORTANTE**

LMM -1 /2 sono previsti per montare un solo radome come indicato nella più recente Guida ai Prodotti Scanstrut – fatte salve eventuali modifiche senza preavviso.

L'uso di LMM-1/2 con prodotti non approvati, o un loro sovraccarico, invalida qualsiasi garanzia. Si declina qualsiasi responsabilità per danni causati da un'installazione erronea.

Questo prodotto è stato studiato appositamente per il supporto di apparecchiature radar approvate (elencate nella Guida ai Prodotti Scanstrut) e utilizzate in normali condizioni di navigazione.

Questo prodotto non è progettato per resistere a sovraccarichi, urti, forze eccessive o l'ingarbugliamento in vele e sartie.

Questo prodotto è stato studiato per staccarsi dall'albero in caso di sovraccarico o altri maltrattamenti, ad esempio urti, forze eccessive e l'ingarbugliamento in vele o sartie.

Il cordone di sicurezza deve essere fissato seguendo le istruzioni. In caso contrario la garanzia verrà invalidata.

L'installazione e il montaggio devono essere ispezionati con regolarità per verificare la presenza di danni o di pezzi allentati.

Questo prodotto è stato studiato per alberatura di alluminio con una larghezza minima di 65 mm e una parete di spessore compreso fra 2 mm e 5 mm.

Per l'installazione su alberi non di alluminio, o di sezione diversa da quanto sopra indicato, si prega di consultare la direzione centrale di Scanstrut.

Una volta montato, il gruppo non è progettato per essere completamente smontato e rimontato.

Se occorre togliere le staffe per un intervento di manutenzione, l'apparecchio dovrebbe essere smontato dai piedini di supporto sfilando i bulloni. I piedini devono restare fissati all'albero, e l'apparecchio deve essere rimontato sui piedini originali, nella loro postazione originale.

**WICHTIG**

LMM -1/2 sind für die Befestigung eines einzelnen Radoms vorgesehen, wie in der aktuellen Scanstrut Produktübersicht angegeben. Änderungen ohne vorherige Ankündigung vorbehalten.

Durch Verwendung des LMM-1/2 mit nicht genehmigten Produkten bzw. durch Überlastung wird jegliche Garantie ungültig.

Für Schäden aufgrund unsachgemäßen Einbaus wird keine Haftung übernommen.

Dieses Produkt wurde spezifisch für die Befestigung eines genehmigten Radars (in der Scanstrut Produktübersicht aufgeführt) und für den Einsatz unter normalen Bootfahrtsbedingungen entwickelt.

Dieses Produkt wurde nicht dafür ausgelegt, Überlastung, Stöße, übermäßige Krafteinwirkung oder Verwicklung in Segel und Takelage auszuhalten.

Dieses Produkt wurde so konzipiert, dass es sich bei Überlastung oder anderer unsachgemäßer Behandlung, wie Stößen, übermäßiger Krafteinwirkung und Verwicklung in Segel und Takelage, vom Mast löst.

Das Sicherheitsband muss gemäß den Anweisungen angebracht werden. Andernfalls wird jegliche Garantie ungültig.

Der Anbau und die Baueinheit müssen regelmäßig auf Anzeichen von Schäden oder lockere Teile geprüft werden.

Dieses Produkt ist für Aluminiummasten mit einer Mindestbreite von 65 mm (2,6") und einer Wandstärke zwischen 2 mm (5/64") - 5 mm (3/16") ausgelegt.

Wenden Sie sich für den Einbau an Masten, die nicht aus Aluminium bestehen, oder an Masten mit Durchmessern außerhalb der obigen Größen bitte an die Scanstrut-Zentrale.

Die Baueinheit ist nicht dafür ausgelegt, nach erstmaliger Montage vollständig abgebaut und wieder angebaut zu werden. Wenn die Halterung für Wartungszwecke entfernt werden muss, sollte die Einheit durch Entfernen der Schrauben von den Befestigungsfüßen abgebaut werden.

Die Füße müssen am Mast befestigt bleiben. Die Baueinheit muss anschließend wieder an den ursprünglichen Füßen in der ursprünglichen Position angebracht werden.

**IMPORTANTE**

LMM -1 /2 están pensados para montar una antena radome según se establece en la última Guía de productos Scanstrut – sujeto a cambios sin previo aviso.

El uso de los LMM-1/2 con productos no aprobados, o bajo exceso de carga, invalidará cualquier garantía.

No se aceptará ninguna responsabilidad por los daños causados por una instalación incorrecta.

Este producto ha sido específicamente diseñado para el montaje de radares aprobados (listados en la Guía del Producto de Scanstrut) y debe utilizarse siempre bajo condiciones normales de navegación.

Este producto no está diseñado para soportar excesos de peso, impactos, fuerzas excesivas, ni debe tampoco enredarse entre las velas o aparejos.

Este producto está diseñado para poderse desenganchar del mástil en caso de una sobrecarga u otros abusos, como impactos, fuerza excesiva o tras enredarse entre las velas o aparejos.

Debe instalarse la correa de seguridad según las instrucciones. En caso contrario se invalidará cualquier garantía.

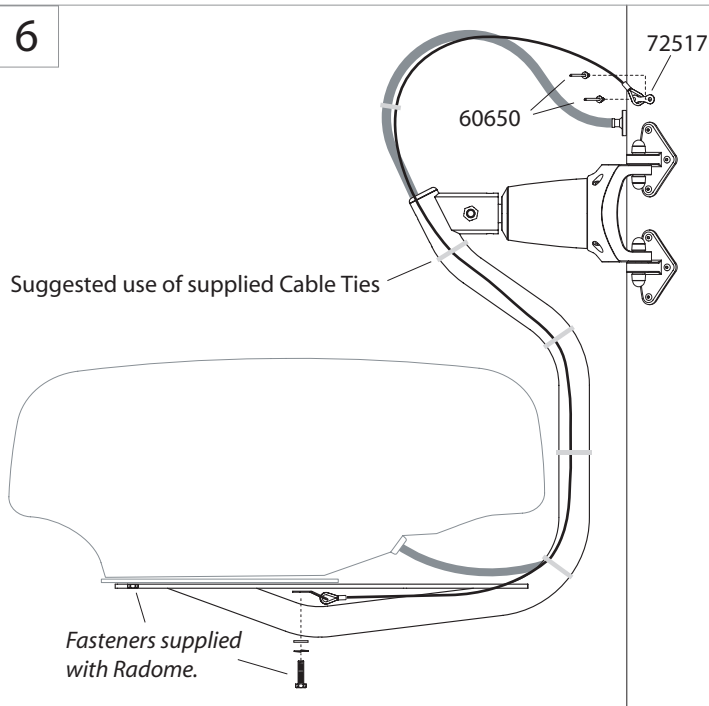
La instalación y ensamblaje deberá inspeccionarse regularmente, comprobando cualquier evidencia de daños o piezas aflojadas.

Este producto está diseñado para instalarse sobre mástiles de aluminio con ancho máximo de 65mm (2.6") y un grosor de la pared del tubo entre 2mm (5/64") y 5mm (3/16").

Para su instalación sobre mástiles que no sean de aluminio, o sobre secciones de mástil superiores a las especificadas, consulte con su distribuidor Scanstrut.

El conjunto no está diseñado para desinstalarse en su totalidad y volverse a instalar posteriormente. Si necesita quitar el soporte para dar servicio al producto, la unidad puede desengancharse del pie de montaje quitando los pernos de sujeción. El pie puede seguir instalado al mástil, y la unidad deberá volverse a poner sobre el pie, en su posición original.

6

**IMPORTANT**

LMM -1 /2 are intended to mount a single radome as stated in the latest Scanstrut Product Guide – subject to change without prior notice.

Use of the LMM-1/2 with unapproved products, or overloading, invalidates any warranty.

No liability is accepted for damage caused by incorrect installation.

This product has been designed specifically for the mounting of approved radar (listed in the Scanstrut Product Guide.) and used under normal boating conditions.

This product is not designed to withstand overload, impact, excessive force or entanglement in sails and rigging.

This product is designed to become detached from the mast in the event of an overload or other abuse, for example, impact, excessive force and entanglement in sails or rigging.

The safety lanyard must be fitted according to the instructions. Failure to do so invalidates any warranty.

The installation and assembly must be regularly inspected for evidence of damage or loose parts.

This product is designed to suit aluminium masts with a minimum width of 65mm (2.6") and wall thickness in the range 2mm (5/64") - 5mm (3/16").

For installation on non-aluminium masts, or mast sections outside the above sizes, please consult Scanstrut head office.

The assembly is not designed to be fully removed and re-installed once fitted. If bracket needs to be removed for servicing, the unit should be disassembled from the mounting feet by removing the bolts.

The feet must remain attached to the mast, and the unit must be re-fitted to the original feet, in their original location.

**IMPORTANT**

Les LMM-1/2 sont conçus pour le montage d'un seul radôme comme mentionné dans le dernier Guide Produits Scanstrut – sujet à modification sans préavis.

L'usage des LMM-1/2 avec des produits non validés, ou la surcharge de ces supports, annulent toute garantie.

Scanstrut décline toute responsabilité pour les dégâts résultant d'une installation incorrecte.

Ce produit a été spécifiquement conçu pour le montage de radar approuvés (repris dans le Guide Produits Scanstrut) et utilisés dans des conditions de navigation normales.

Ce produit n'est pas conçu pour supporter une surcharge, un impact, une force excessive ou un enchevêtrement dans les voiles et le gréement.

Le cordon de sécurité doit être mis en place comme indiqué dans les instructions.

Le non-respect de cette consigne annule toute garantie.

L'installation et l'assemblage doivent être inspectés régulièrement afin de déceler des dégâts ou des pièces desserrées.

Ce produit est conçu pour convenir aux mâts en aluminium d'une largeur minimum de 65mm (2.6") et d'une épaisseur allant de 2mm (5/64") à 5mm (3/16").

Pour une installation sur mâts autres que aluminium, ou sur des sections de mâts en dehors des tolérances ci-dessus, veuillez contacter le siège social de Scanstrut.

L'assemblage n'est pas conçu pour être complètement enlevé et ré-installé une fois monté. Si les bras du supports doivent être enlevés pour l'entretien, l'unité doit être désassemblée de ses pattes de montage en retirant les boulons. Les pattes doivent rester attachés au mât et l'unité doit être re-montée sur ces pattes

**IMPORTANTE**

LMM -1 /2 sono previsti per montare un solo radome come indicato nella più recente Guida ai Prodotti Scanstrut – fatte salve eventuali modifiche senza preavviso.

L'uso di LMM-1/2 con prodotti non approvati, o un loro sovraccarico, invalida qualsiasi garanzia. Si declina qualsiasi responsabilità per danni causati da un'installazione erronea.

Questo prodotto è stato studiato appositamente per il supporto di apparecchiature radar approvate (elencate nella Guida ai Prodotti Scanstrut) e utilizzate in normali condizioni di navigazione.

Questo prodotto non è progettato per resistere a sovraccarichi, urti, forze eccessive o l'ingarbugliamento in vele e sartie.

Questo prodotto è stato studiato per staccarsi dall'albero in caso di sovraccarico o altri maltrattamenti, ad esempio urti, forze eccessive e l'ingarbugliamento in vele o sartie.

Il cordone di sicurezza deve essere fissato seguendo le istruzioni. In caso contrario la garanzia verrà invalidata.

L'installazione e il montaggio devono essere ispezionati con regolarità per verificare la presenza di danni o di pezzi allentati.

Questo prodotto è stato studiato per alberatura di alluminio con una larghezza minima di 65 mm e una parete di spessore compreso fra 2 mm e 5 mm.

Per l'installazione su alberi non di alluminio, o di sezione diversa da quanto sopra indicato, si prega di consultare la direzione centrale di Scanstrut.

Una volta montato, il gruppo non è progettato per essere completamente smontato e rimontato.

Se occorre togliere le staffe per un intervento di manutenzione, l'apparecchio dovrebbe essere smontato dai piedini di supporto sfilando i bulloni. I piedini devono restare fissati all'albero, e l'apparecchio deve essere rimontato sui piedini originali, nella loro postazione originale.

**WICHTIG**

LMM -1/2 sind für die Befestigung eines einzelnen Radoms vorgesehen, wie in der aktuellen Scanstrut Produktübersicht angegeben. Änderungen ohne vorherige Ankündigung vorbehalten.

Durch Verwendung des LMM-1/2 mit nicht genehmigten Produkten bzw. durch Überlastung wird jegliche Garantie ungültig.

Für Schäden aufgrund unsachgemäßen Einbaus wird keine Haftung übernommen.

Dieses Produkt wurde spezifisch für die Befestigung eines genehmigten Radars (in der Scanstrut Produktübersicht aufgeführt) und für den Einsatz unter normalen Bootfahrtsbedingungen entwickelt.

Dieses Produkt wurde nicht dafür ausgelegt, Überlastung, Stöße, übermäßige Krafteinwirkung oder Verwicklung in Segel und Takelage auszuhalten.

Dieses Produkt wurde so konzipiert, dass es sich bei Überlastung oder anderer unsachgemäßer Behandlung, wie Stößen, übermäßiger Krafteinwirkung und Verwicklung in Segel und Takelage, vom Mast löst.

Das Sicherheitsband muss gemäß den Anweisungen angebracht werden. Andernfalls wird jegliche Garantie ungültig.

Der Anbau und die Baueinheit müssen regelmäßig auf Anzeichen von Schäden oder lockere Teile geprüft werden.

Dieses Produkt ist für Aluminiummasten mit einer Mindestbreite von 65 mm (2,6") und einer Wandstärke zwischen 2 mm (5/64") - 5 mm (3/16") ausgelegt.

Wenden Sie sich für den Einbau an Masten, die nicht aus Aluminium bestehen, oder an Masten mit Durchmessern außerhalb der obigen Größen bitte an die Scanstrut-Zentrale.

Die Baueinheit ist nicht dafür ausgelegt, nach erstmaliger Montage vollständig abgebaut und wieder angebaut zu werden. Wenn die Halterung für Wartungszwecke entfernt werden muss, sollte die Einheit durch Entfernen der Schrauben von den Befestigungsfüßen abgebaut werden.

Die Füße müssen am Mast befestigt bleiben. Die Baueinheit muss anschließend wieder an den ursprünglichen Füßen in der ursprünglichen Position angebracht werden.

**IMPORTANTE**

LMM -1 /2 están pensados para montar una antena radome según se establece en la última Guía de productos Scanstrut – sujeto a cambios sin previo aviso.

El uso de los LMM-1/2 con productos no aprobados, o bajo exceso de carga, invalidará cualquier garantía.

No se aceptará ninguna responsabilidad por los daños causados por una instalación incorrecta.

Este producto ha sido específicamente diseñado para el montaje de radares aprobados (listados en la Guía del Producto de Scanstrut) y debe utilizarse siempre bajo condiciones normales de navegación.

Este producto no está diseñado para soportar excesos de peso, impactos, fuerzas excesivas, ni debe tampoco enredarse entre las velas o aparejos.

Este producto está diseñado para poderse desenganchar del mástil en caso de una sobrecarga u otros abusos, como impactos, fuerza excesiva o tras enredarse entre las velas o aparejos.

Debe instalarse la correa de seguridad según las instrucciones. En caso contrario se invalidará cualquier garantía.

La instalación y ensamblaje deberá inspeccionarse regularmente, comprobando cualquier evidencia de daños o piezas aflojadas.

Este producto está diseñado para instalarse sobre mástiles de aluminio con ancho máximo de 65mm (2.6") y un grosor de la pared del tubo entre 2mm (5/64") y 5mm (3/16").

Para su instalación sobre mástiles que no sean de aluminio, o sobre secciones de mástil superiores a las especificadas, consulte con su distribuidor Scanstrut.

El conjunto no está diseñado para desinstalarse en su totalidad y volverse a instalar posteriormente. Si necesita quitar el soporte para dar servicio al producto, la unidad puede desengancharse del pie de montaje quitando los pernos de sujeción. El pie puede seguir instalado al mástil, y la unidad deberá volverse a poner sobre el pie, en su posición original.

**DLMP-45/45R**  
**Installation Instructions**

**Tools Needed**

Posidrive No.3 Screwdriver  
Large Flat Head Screwdriver  
2x 10mm Spanner  
1x 13mm Spanner  
Ø8mm Drill  
Ø6mm Drill

**Kit Contents**

<input type="checkbox"/> <b>1x Tube 2.5M long</b>	<b>17420</b>
<input type="checkbox"/> 2 x cover strips	19401
<input type="checkbox"/> <b>1x Universal Top Casting</b> - machined for SC45/SC45R	<b>10101</b>
<input type="checkbox"/> <b>1x SC45/SC45R</b>	<b>SC45/SC45R</b>
<input type="checkbox"/> <b>1x SC105/6-45/R Fastening Pack</b>	<b>600106</b>
<input type="checkbox"/> 4x M8 x 30mm Hex Head Bolt	60856
<input type="checkbox"/> 4x M8 Nyloc Nut	60080
<input type="checkbox"/> 4x M8 Stainless Steel washer	60085
<input type="checkbox"/> 4x M8 Nylon washer	64008
<input type="checkbox"/> 4x M8 White Nut Cover	60857
<input type="checkbox"/> <b>1x Pole Top Fastening Pack</b>	<b>60100</b>
<input type="checkbox"/> 4x M6 x 20 Hex Head Bolts	60621
<input type="checkbox"/> 4x M6 Nyloc Nuts	60060
<input type="checkbox"/> 4x M6 White nut covers	60068
<input type="checkbox"/> 4x M6 Nylon Washers	60702
<input type="checkbox"/> <b>1x Adjustable base module</b>	<b>19301</b>
<input type="checkbox"/> 1x Adjustable Base Assembly	N/A
<input type="checkbox"/> 3x M8 x 60 C/S Bolts	60860
<input type="checkbox"/> 3x M8 x 35 Hex Head Bolts	60835
<input type="checkbox"/> 3x M8 Nyloc Nuts	60080
<input type="checkbox"/> 3x M8 Washer	60085
<input type="checkbox"/> 4x M6 x 16 Pan Head Posidriv Bolts	60616
<input type="checkbox"/> 4x M6 Nylon washers	60702
<input type="checkbox"/> 3x M8 Nylon Bolt Insulators	64000
<input type="checkbox"/> 1x Loctite 242 Sachet	10265
<input type="checkbox"/> <b>2 x 1800mm/5'11" Deck Support strut</b>	<b>19309</b>
<input type="checkbox"/> 1x 1800mm Adjustable Strut	10456
<input type="checkbox"/> 1x Deck Eye Pad	10451
<input type="checkbox"/> 1x 3" Tube Clamp Assembly	104520
<input type="checkbox"/> 1x 2mm Allen Key	63002
<input type="checkbox"/> 1x Fastening Pack	60035
<input type="checkbox"/> 4x M6 x 35 C/S Bolt	610635
<input type="checkbox"/> 3x M6 x 20 Hex Head Bolts	60621

<input type="checkbox"/>	7x M6 Nyloc Nuts	60060
<input type="checkbox"/>	6x M6 Nut Cover	60068
<input type="checkbox"/>	7x M6 Nylon Washer	60702

## 1x Levelling Mast Mount

<input type="checkbox"/>	1x RSG plate/Universal Plate	<b>LMM -1/2</b> 10128LM/10129LM
<input type="checkbox"/>	1x Complete LMM without Plate	17LMM
<input type="checkbox"/>	1x FM Cradle	10126LM
<input type="checkbox"/>	1x Damping Chamber & Mast Adapter Assembly	17125LMM
<input type="checkbox"/>	1x LMM Instructions	N/A
<input type="checkbox"/>	1x Fastening Pack for LMM	600LMMC
<input type="checkbox"/>	1x Black EPDM Grommet – 23mm	101804
<input type="checkbox"/>	1x Foot Pack for LMM	15001L
<input type="checkbox"/>	4x Silver Feet	17001LMM
<input type="checkbox"/>	1x Fastening pack	60012
<input type="checkbox"/>	4x M6 x 30 Bolts	60630
<input type="checkbox"/>	4x M6 Nyloc Nut	60060
<input type="checkbox"/>	4x M6 Nylon Washer	60702
<input type="checkbox"/>	8x M6 Domed Cap	60068
<input type="checkbox"/>	12x 4.8 x 16mm pop rivet	60665

<input type="checkbox"/>	1x Threadlock Bottle	10265
--------------------------	----------------------	-------

<input type="checkbox"/>	1x Cradle Fixing Pack	600LMC
<input type="checkbox"/>	1x Dome head M8 bolt	10125LM-12
<input type="checkbox"/>	1x M8 Castle Nut	60090
<input type="checkbox"/>	2x M8 Plain washer	60085
<input type="checkbox"/>	1x Split pin	60091
<input type="checkbox"/>	1x M8 x 12mm Grub Screw	60812
<input type="checkbox"/>	1x M8 Thumb screw	10125LM-16
<input type="checkbox"/>	1x Black Ribbed insert 28.5mm	101807
<input type="checkbox"/>	4x M6 x 20 C/S Slotted	610620
<input type="checkbox"/>	4x M6 Nyloc Nut	60060
<input type="checkbox"/>	4x M6 Spring Washer	60066
<input type="checkbox"/>	4x M6 Plain Washer	60065

<input type="checkbox"/>	1x Safety wire pack LMM	700LMM
<input type="checkbox"/>	4x Zip tie	60007
<input type="checkbox"/>	2x 4.8 x 12mm Rivet	60650
<input type="checkbox"/>	1x S/S Safety Lanyard	N/A
<input type="checkbox"/>	1x Lacing Eye	72517

## GPS Antenna Kit

<input type="checkbox"/>	1 x GPS adapter for Leveling Mounts	<b>LM-GPS</b> 10130LM
<input type="checkbox"/>	2 x M6 x 12 Pan head Posidriv	60612
<input type="checkbox"/>	2 x M6 Saddle washer	64100

Packed and Checked.....

Identify the top and bottom of the pole. The label is at the top of the pole.

- 1) Attach the base and spigot part of the adjustable base to the pole using 4 x M6 posidrive bolts and nylon washers. Apply a drop of Loctite to the screw threads before inserting the base into the pole.
- 2) Assemble the remaining parts of the adjustable base onto the spigot to create a ball joint at the base of the pole using 3 x M8 x 40 bolts and 3 x nylon top hat washers. Tighten bolts to lightly clamp the ball joint.
- 3) Orientate the adjustable base so the open slot faces up any slope on the mounting surface.
- 4) **If you are fitting the SC117 deck flood light to your SC100 pole, an extra operation is required here, please see separate SC117 installation instructions sheet.**
- 5) Attach the struts to the pole using the 3 inch clamps making sure that the adjustable ends (identified by the inset socket headed grub screw) are at the top. The struts must be at 90° to each other and at 30°-45° to the SC100 pole (see Fig.1). Attach the deck eye pads to the bottom of each strut. Unscrew the top eye of each strut by half its thread.
- 6) Once you are happy with the position of the pole and the two struts, use the deck eye pads as templates to mark the position of the Ø6mm holes and mark round the adjustable base.
- 7) Separate the two halves of the adjustable base and lower the pole. Use the bottom half as a template to mark the bolt holes for the adjustable base and make sure the open slot still faces up the slope. Drill the mounting holes with 8mm drill for the adjustable base and 6mm for the deck eye pads. Attach the base to the deck using 3 x M8 x 60 countersunk bolts, washers and Nyloc nuts.
- 8) It is recommended that the Satcom dome is installed onto the pole at this stage. If the cable has a large plug attached; slide out the cover strip, lay the cable in the channel and slide in the cover strip from the top of the tube. You will need to release the 3" Clamps to enable you to do this.
- 9) Bolt the Universal Top Casting to the top of the pole using the fasteners in the Pole Top Fastening Pack. Use the fasteners from the SC105/6-45/R Fastening Pack to fit the SC45(R) to the Universal Top Casting (See Fig.3).
- 10) Bolt the Satcom dome to the top of the SC45(R) assembly.
- 11) It is also recommended that the Levelling Mast Mount is fixed to the pole at this stage, please see separate instructions.
- 12) You can bring out the cables at the front or back of the pole to suit your deck installation. Fig 4. demonstrates typical cable routing.
- 13) Position the bottom of the SC100 pole in the adjustable base again and re-assemble by attaching its top half using 3 x M8 x 40. Apply a drop of Loctite to each thread before assembly.

- 14) Attach the deck eye pads of each strut to the deck using 4 x M6 countersunk bolts, washers and Nyloc nuts.
- 15) Check that the pole is vertical. Lock the strut in position using the grub screws at the top end of each strut. If you need to adjust the length of the strut, release the strut from the clamp, undo the grub screw and turn the eye. Attach the strut to the clamp and lock it as before.
- 16) Firmly tighten the 3 x M8 x 40 bolts to lock the ball joint in the adjustable base. These bolts must be tight enough to eliminate any movement at the base of the pole.

**Installation of the SC117 deck flood light should now be completed. If applicable, go to point 3 on the SC117 instruction sheet.**

Fig 1. General Arrangement of Modules

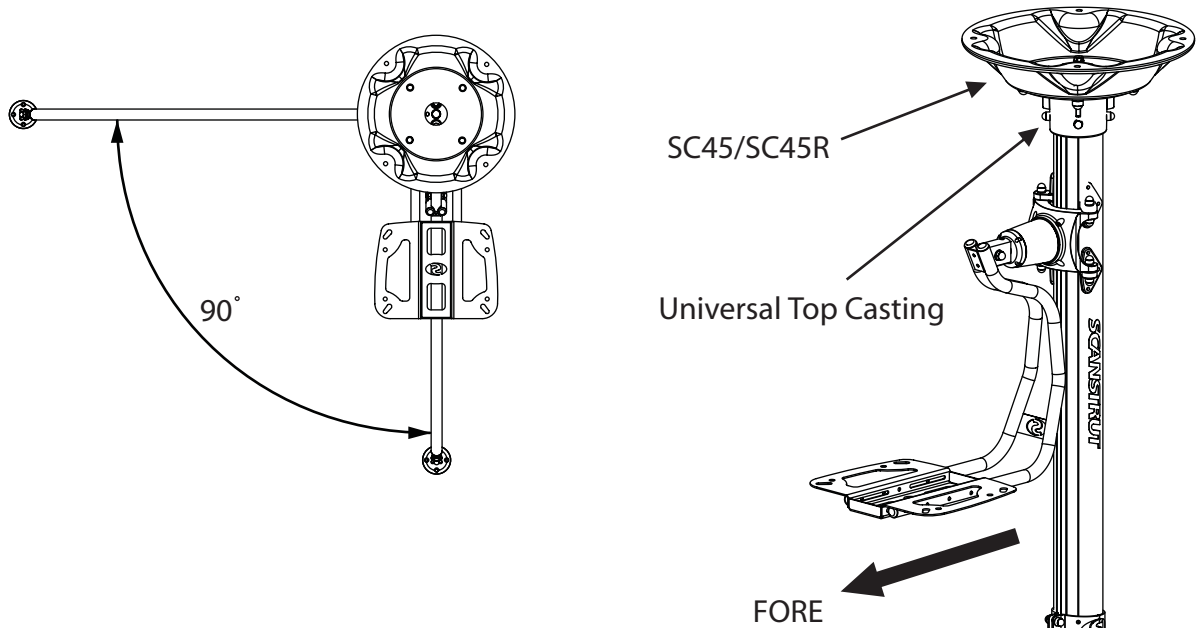


Fig 2. Adjustable Base Module

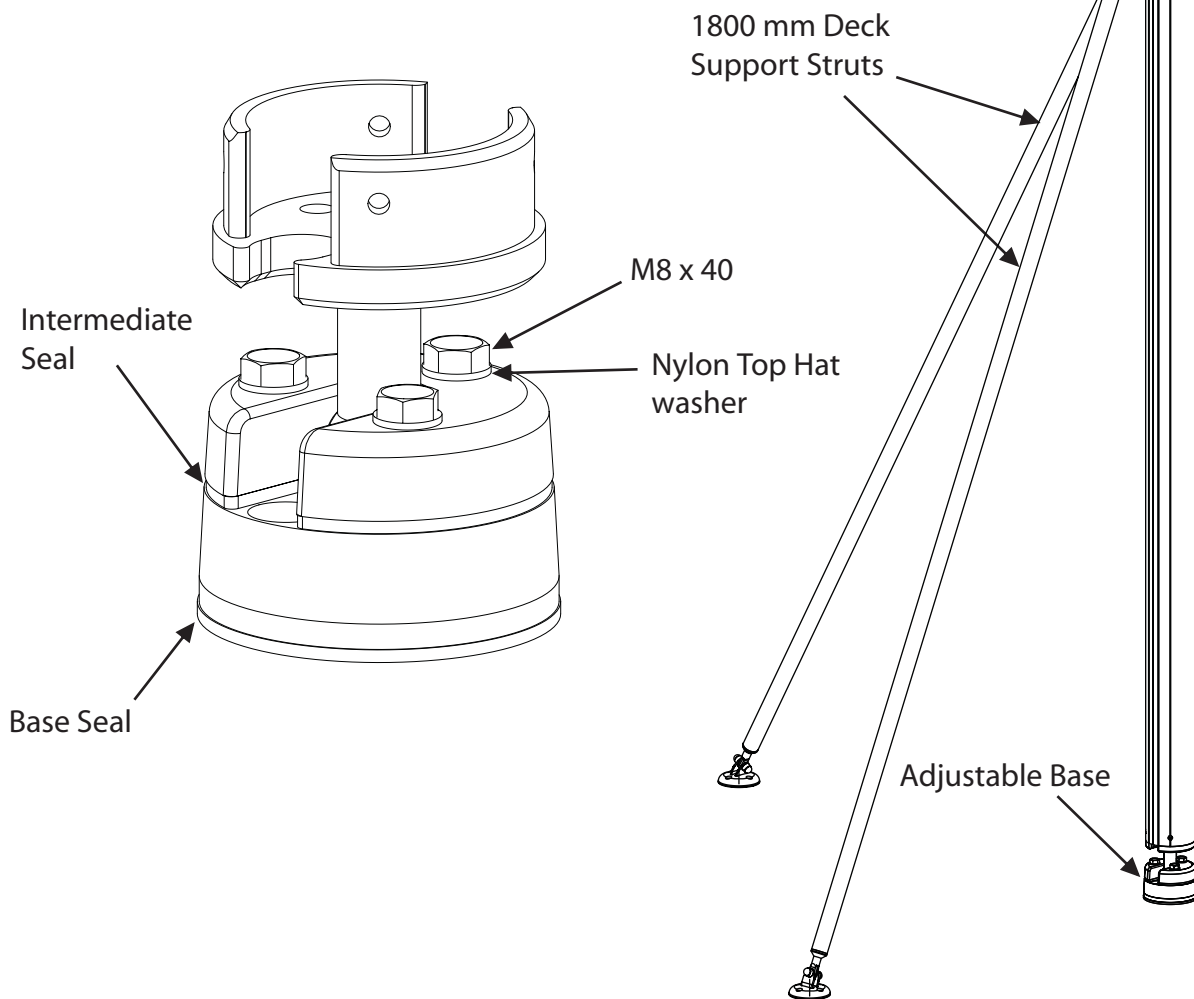




Fig 3. SC45(R) Configurations

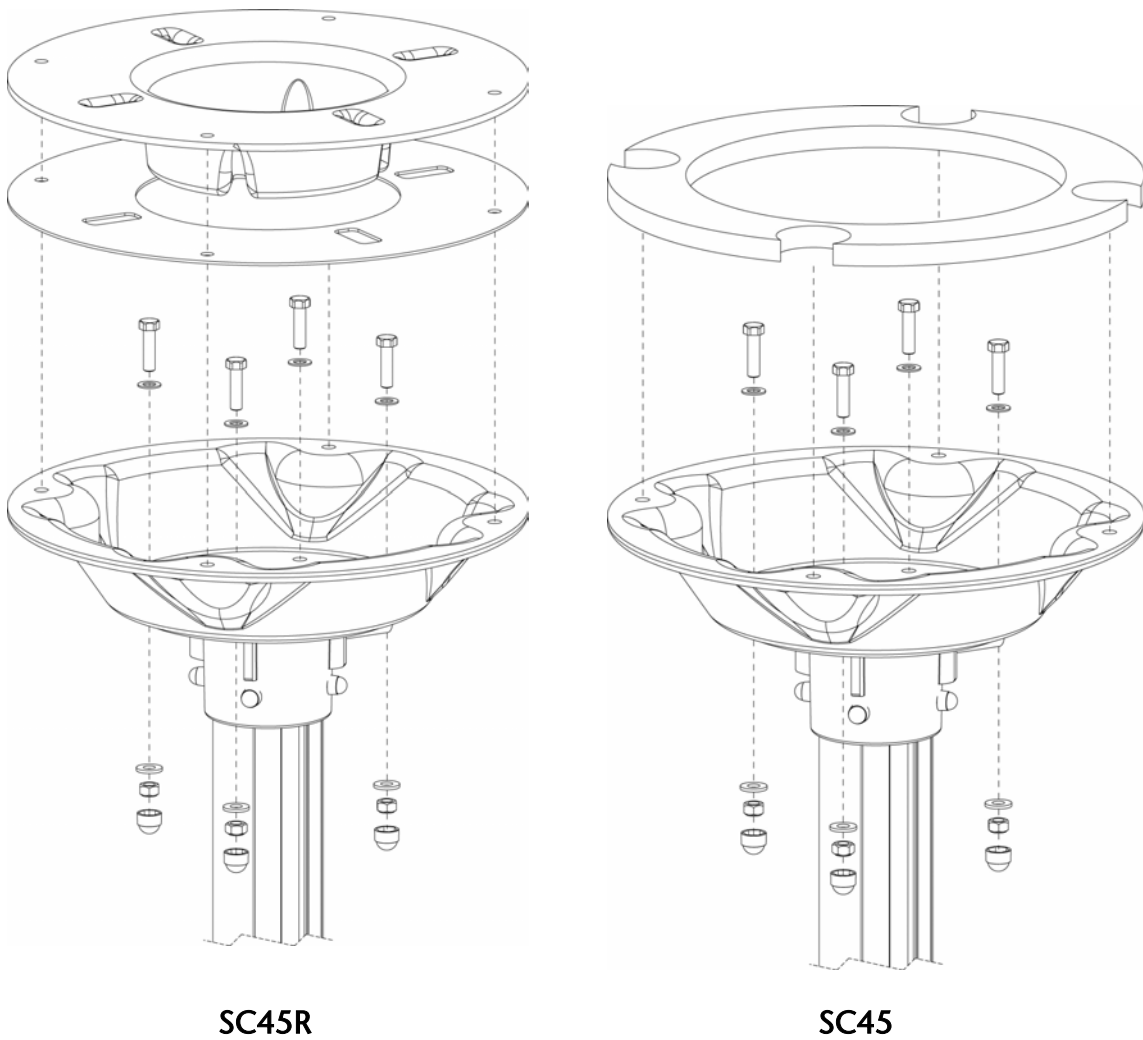


Fig 4. Cable Routing

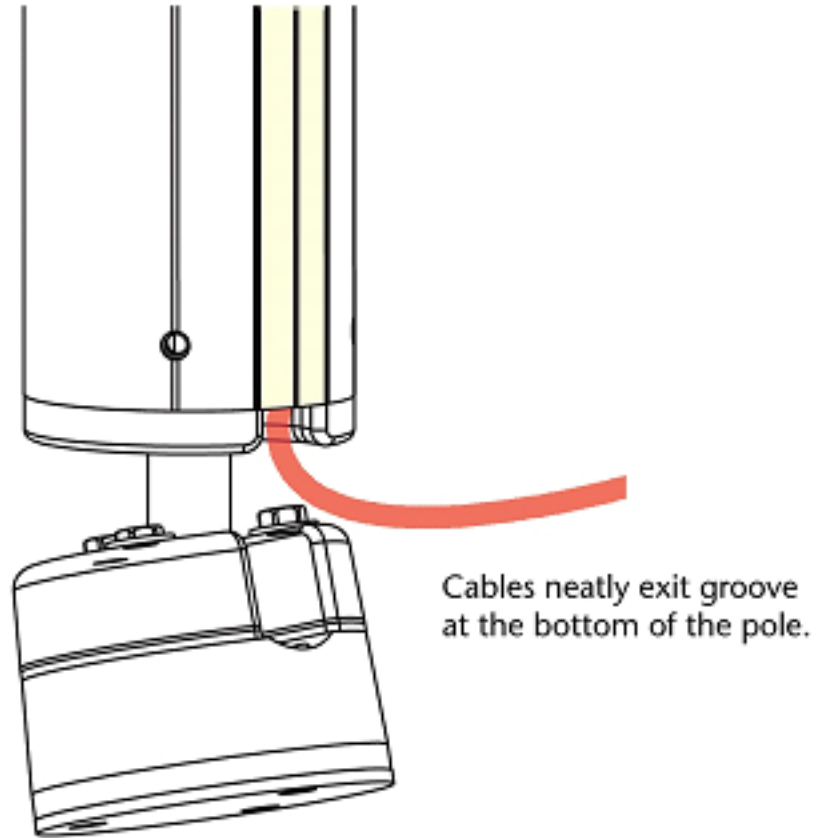


Fig 5. Deck Strut Module

