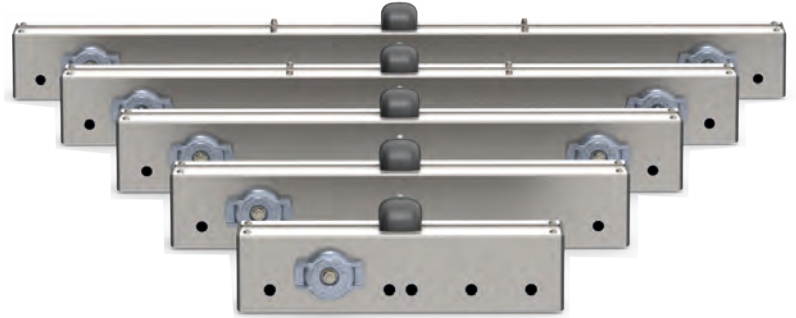
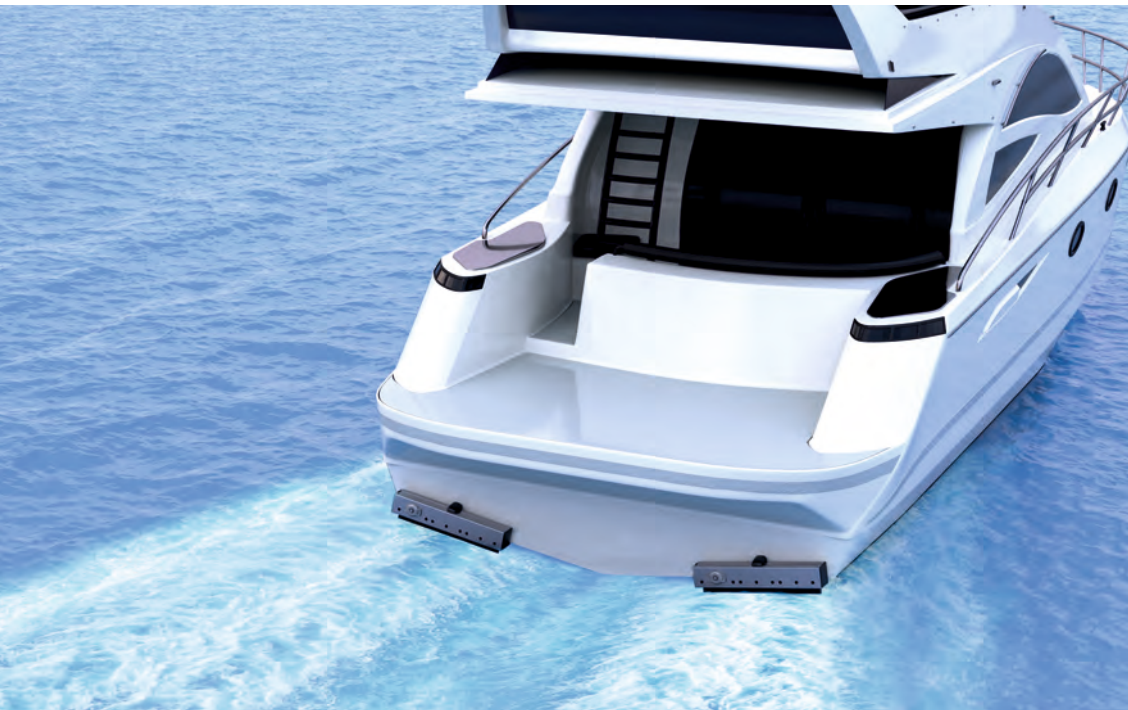




Marine Engineering

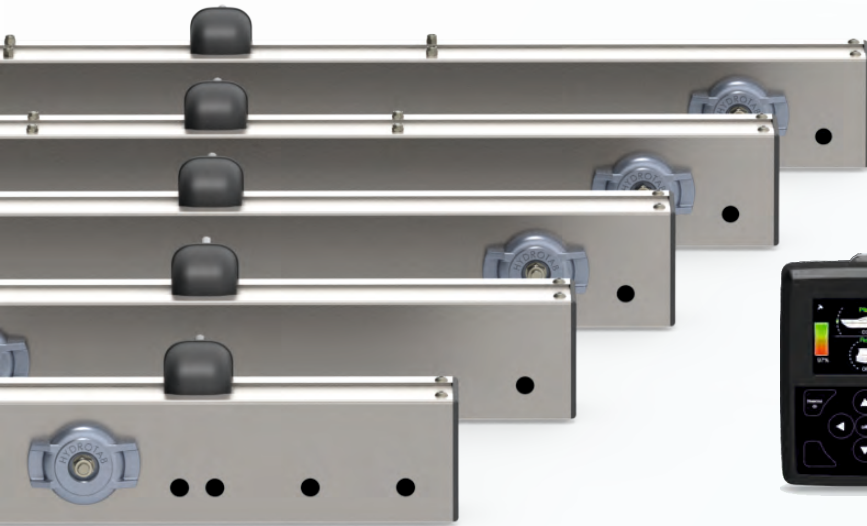


Interceptor Trim Tabs



Born to live in the sea

Designed to operate...



Developed under NMEA 2000 protocol
Compatible with NMEA 0183

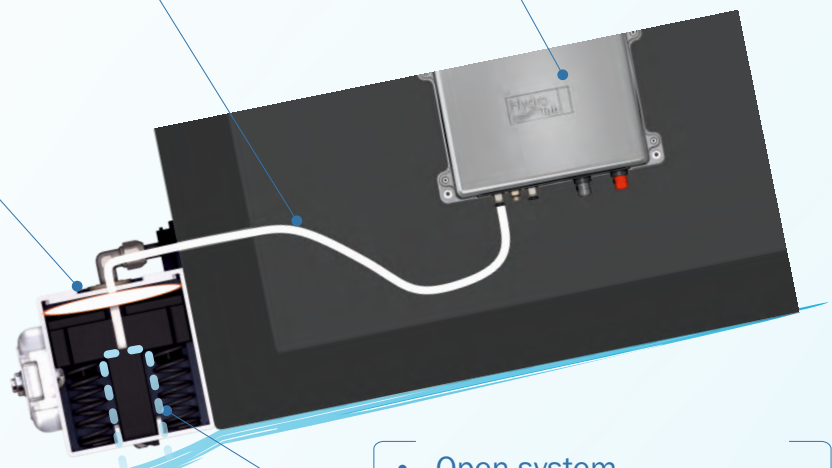


Hydrotab is an innovative patented trim system designed for maximized efficiency and optimization of boat control and characterized by absolute simplicity and robustness. Our trim tab interceptors are designed to operate in the harsh sea environment, and improve your boat cruising experience.

Air Unit isolated from the sea

Elastic pneumatic hose with push-in fittings

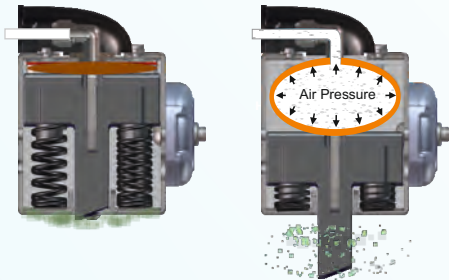
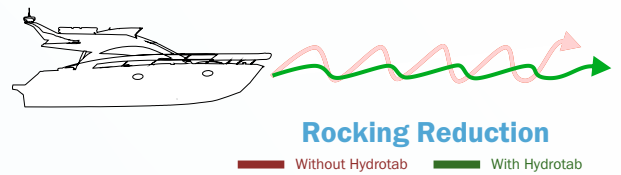
Stainless steel housing INOX-316



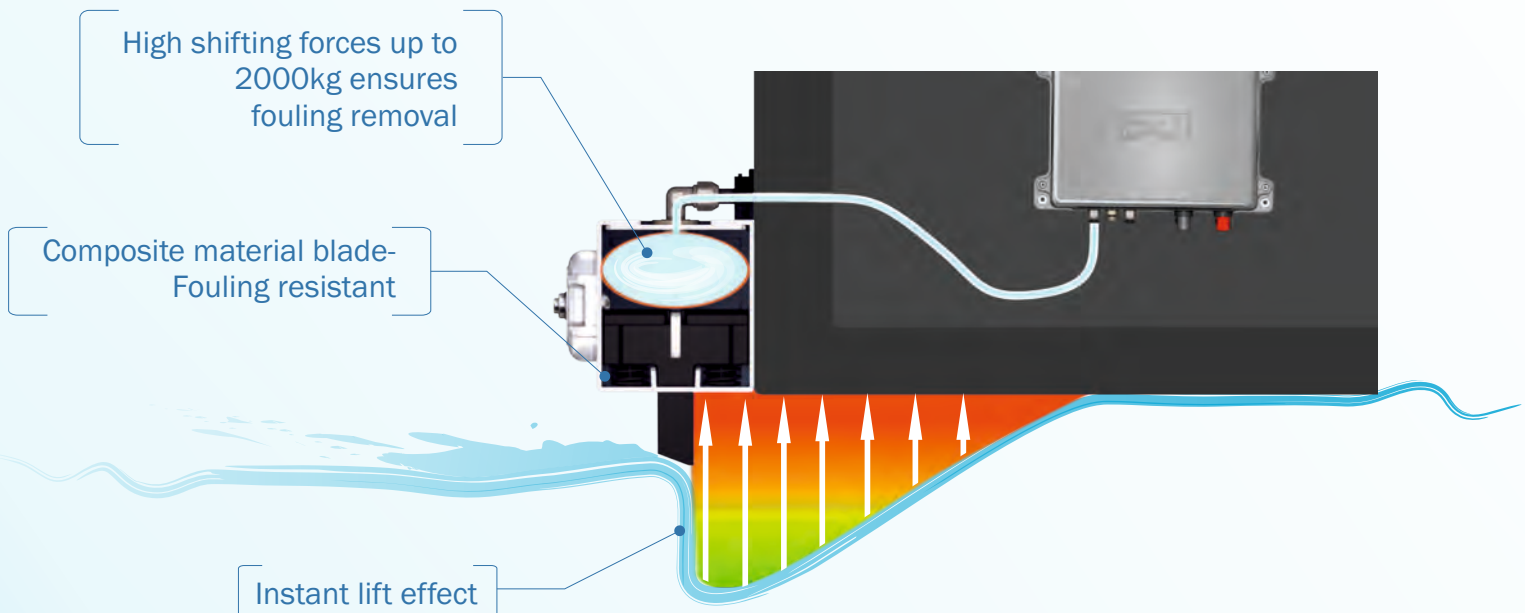
- Open system
- Self cleaning by water flow
- No sealing parts

Advantages

- Increased planing speed due to the correct angle of the hull, which also leads to reduced fuel consumption
- Immediate response - accurate operation
- Easy - simple- fast installation
- Maintenance free
- Fouling resistant due to the composite material of the blade
- Self-cleaning by water flow
- Robust INOX 316 steel housing construction
- Due to their compact design and operation, the units will not affect the course of the boat when reversing
- Shock resistant during repetitive boat jumping
- Automatically retracts when the engine switches off or on
- Thanks to its innovative patented technology, high shifting forces easily break any fouling on the external surface of the units. The internal components remain clean due to the lack of light



- ✓ Instant Lift Effect
- ✓ Increased safety in bad weather
- ✓ Enhanced Fuel economy
- ✓ Improved Boat control



4DHC Full Automatic Controller



True NMEA2K system
no extra cables



Auto Roll and Auto
Trim functions



Built-in 10Hz GPS



Built-in 3D Gyro and
3D Accelerometer



Auto Diagnostics



Steering Assistance



Easy-to-navigate menu



Large 3.2" TFT
Intelligent Display



Fully or light loaded
selection function

4DHC Features

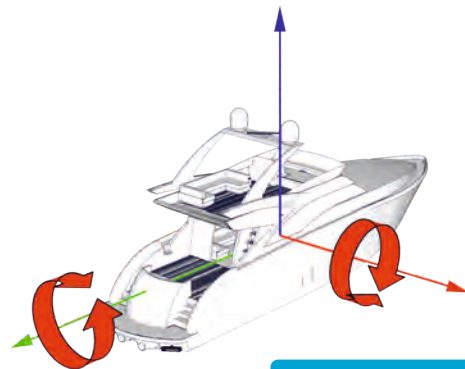
We proudly present the brand new 4DHC controller, designed and manufactured to get the full potential of your Hydrotab interceptors optimize your boat cruising experience and save fuel.

4DHC stands out for its attractive and ergonomic design, with simple and clean user friendly interface.

Developed under the NMEA 2000 standards, the 4DHC provides easy connection to the current NMEA network or allows to easily build a network if not existed.

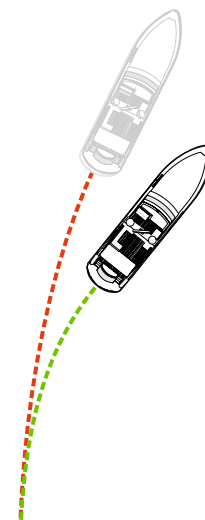
The large 3.2" screen provides real time data, visualized with high quality graphics that improves user's experience.

The integrated GPS and accelerometer sensors, monitor the boat's behavior allows user to choose between auto pitch and auto roll or a Fully automated function make boat riding easier than ever as the user with one button press, enjoys his boat cruising at the ideal angle with reduced fuel consumption.

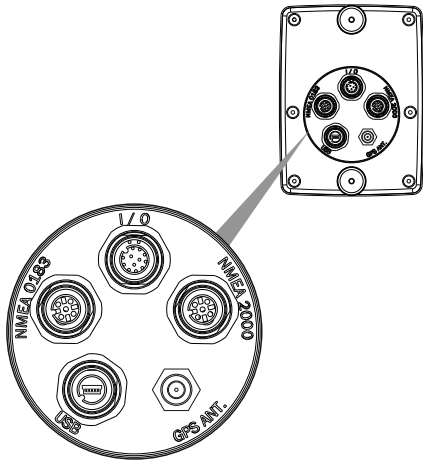


Full Auto control function

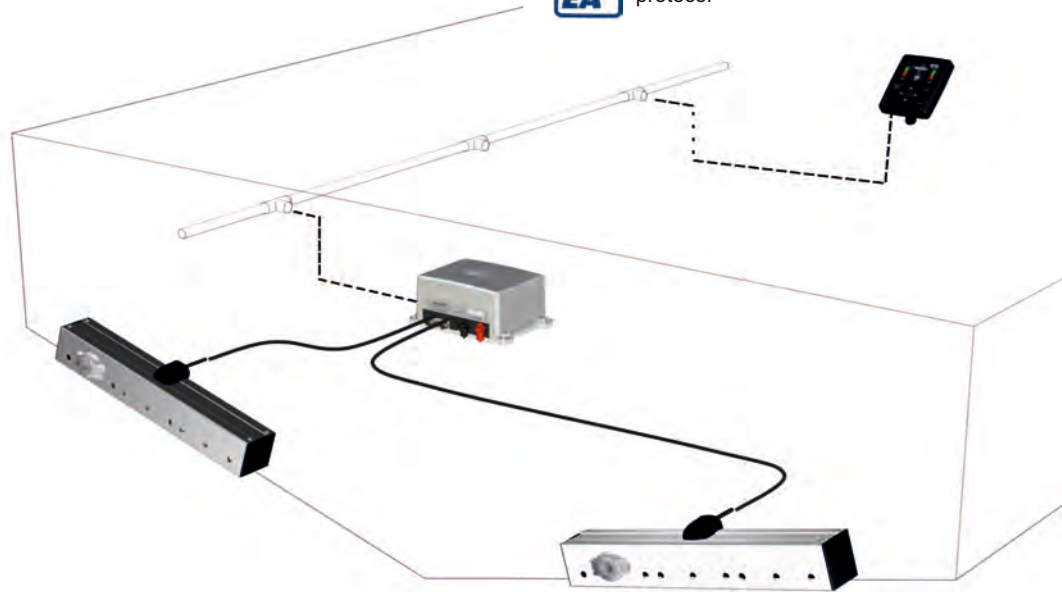
- Auto Roll
- Auto Pitch



Steering Assistance



Developed under NMEA 2000 protocol



Ports

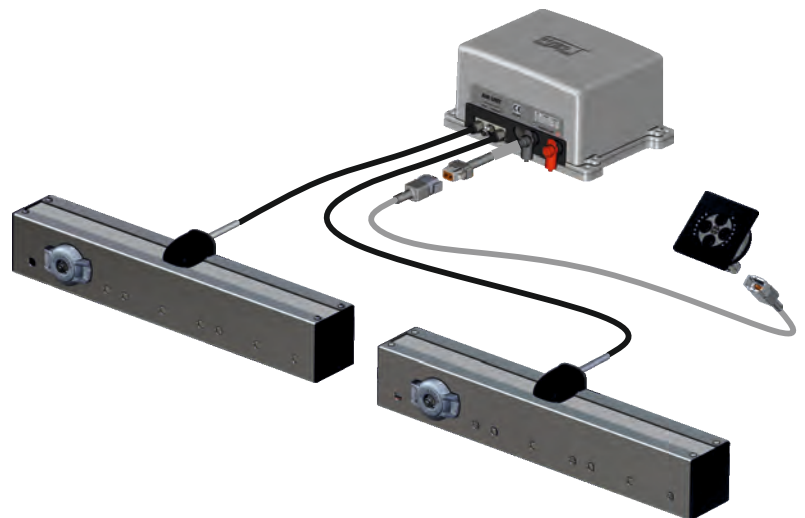
- NMEA 2000
- NMEA 0183
- I/O
 - Dashboard Output 4-20mA
 - Remotely operated input buttons
- USB
- External GPS antenna

3DHC Controller



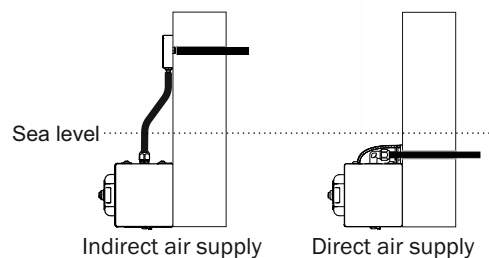
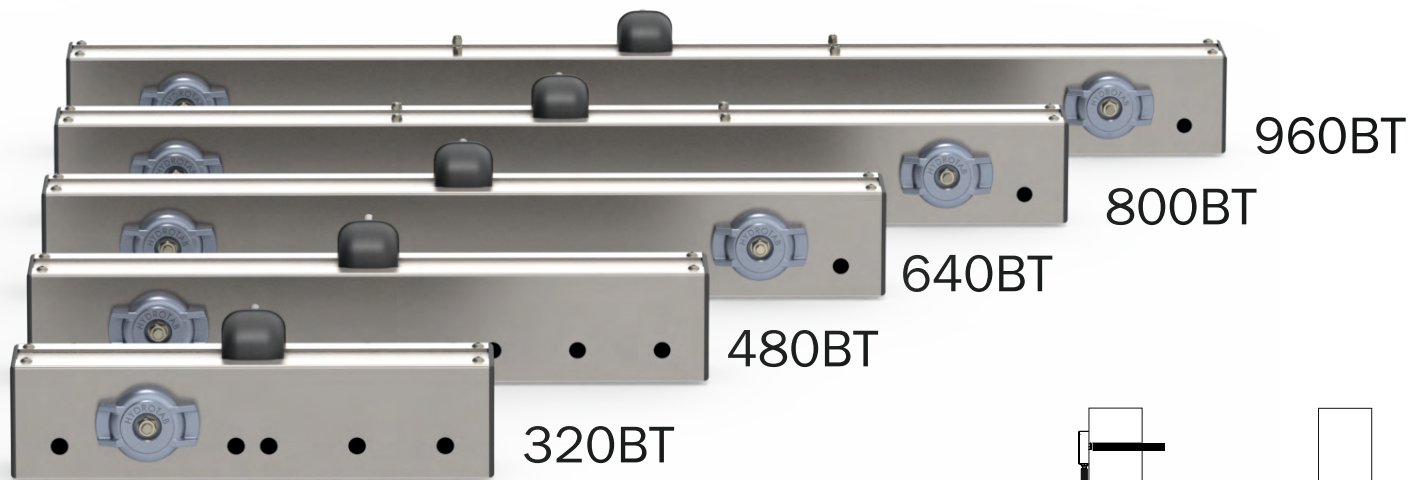
New improved controller allows instant 3D control of the boat.

- User friendly operation
- Position indication
- Optimized position storage
- Auto Retraction on engine switch on/off
- Emergency retraction
- Ergonomic design
- Day & Night function



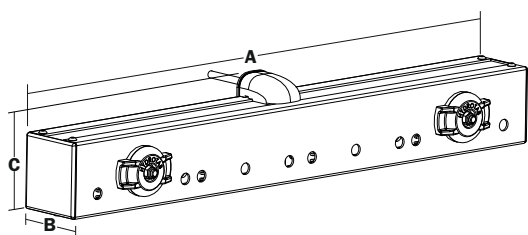
BT Series

Patented



Technical data

Model	Material	Dimensions (mm)			Max. Operating Pressure (bar)	Shifting Force (kgf)	Package weight (kgf)	Packaging dimensions (mm)
		A	B	C				
320 BT	INOX 316	370	89	115.5	3	495	18	720 x 320 x 290h
480 BT	INOX 316	544	89	115.5	3	861	20	720 x 320 x 290h
640 BT	INOX 316	700	89	115.5	3	1188	26	720 x 320 x 290h
800 BT	INOX 316	870	89	115.5	3	1545	56	1040 x 320 x 290h
960 BT	INOX 316	1030	89	115.5	3	1881	64	1040 x 320 x 290h



5
Years
Warranty

In the box ...

The system is delivered in kit ready to be installed with all the necessary components included



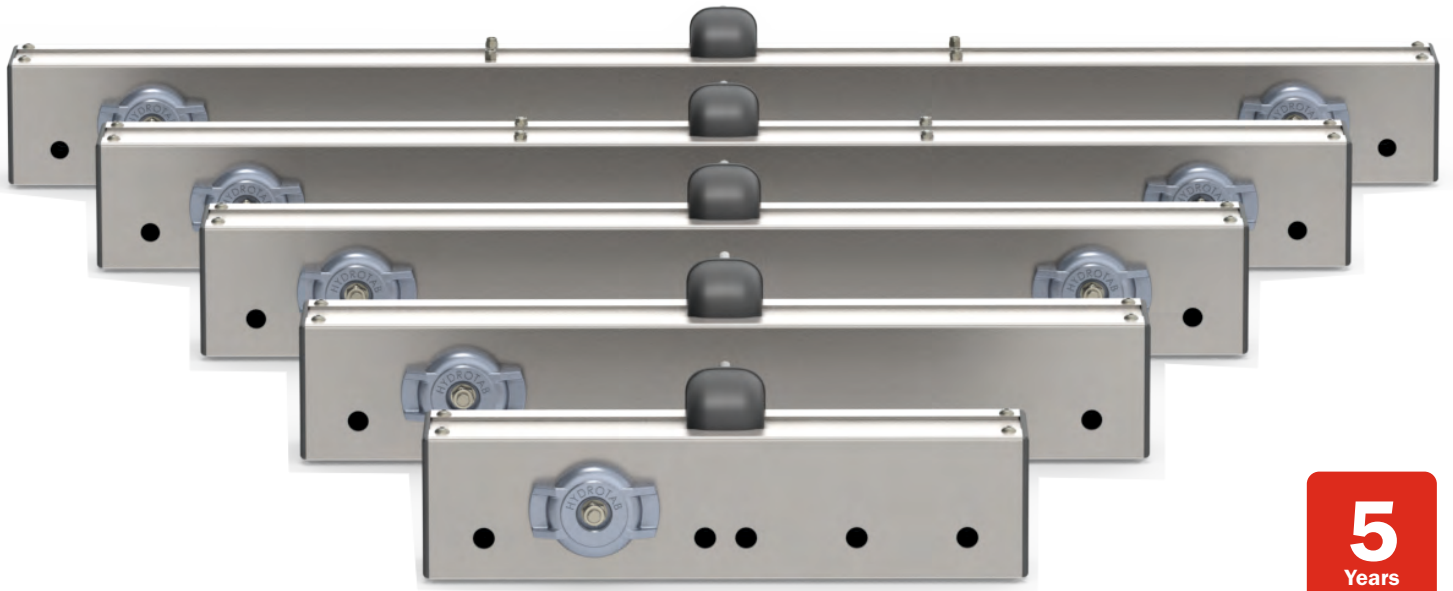


Custom series

HydroTab's unique design and technology offers you the possibility to develop a custom size product that fulfils the specific needs of your boat.

Please contact us for a special size product or custom shape blade.





Indicative Sizing Table

The following table is indicative and it differs depending on the boat type. It is always recommended to choose the biggest Hydrotab model that can be fitted on your boat.

Boat (ft)	Model
15-22	320BT
22-34	320 BT - 480 BT
32-42	480 BT - 640 BT
40-53	800 BT
50-70	960 BT
70 - 120	Combination of the above models (ex. 2x800BT or 2x960BT)

Note: The boat owner is exclusively responsible for the right selection of the model.

The e-Parts Platform

We believe that top quality products must be followed by top quality after sales support and that's why we are happy to announce the release of our e-parts platform, the fastest and easiest way to order spare parts - accessories and gather technical info for your Hydrotab equipment!!

- Easy to order spare parts and accessories
- Fast and accurate communication
- Reduces downtimes
- User-friendly interface with visualized selection
- 24 hour support
- Detailed information of the Hydrotab products
- Compatible with smartphones and tablets



Marine Engineering

Olympic Engineering Ltd
 4 Papazoglou str, GR 17778
 Athens, Greece
 TEL: +30 210 48 36 343,5,6
 FAX: +30 210 48 36 342
 E-mail: info@hydrotab.gr
 www.hydrotab.gr

